

# PRACTICAL WIRELESS

SEPTEMBER  
1974

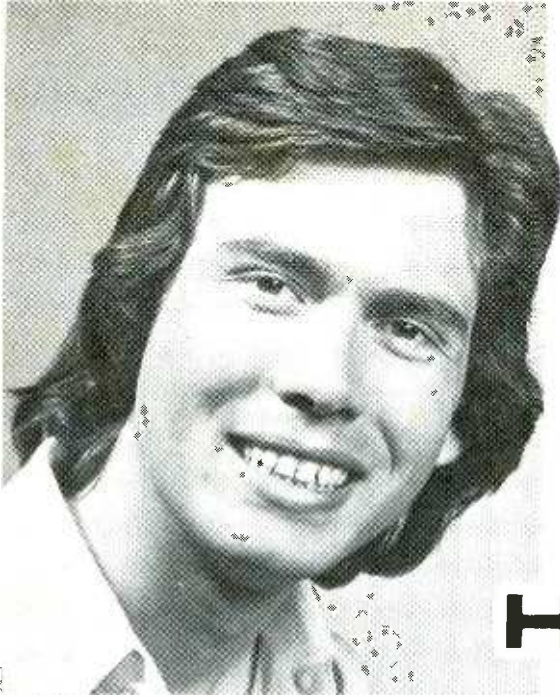
25p

## P<sup>w</sup> EPSOM GENERAL COVERAGE SHORT WAVE RECEIVER

PART 1



Also:  
ALL ABOUT FET's  
ADD-ON AUDIO SQUELCH UNIT



# TO THINK!

*I managed with a  
give-away catalogue  
-until I splashed  
out on a*

## HOME RADIO Components Catalogue



**240 pages  
Over 6,000 items  
Nearly 2,000 pictures**

Splashed out? *Invested* is more the word! It cost me just 77 pence (including packing and postage) and I saved more than that on my first order. And if I take into account the satisfaction I've gained from using such a comprehensive, clearly set out, well illustrated production, I've saved the outlay many times over. Think I'm exaggerating? Why not test it for yourself? The coupon below is just waiting to be filled in and sent off with your cheque or postal order. No need to keep it waiting any longer.

By the way, the catalogue contains 10 free Vouchers, each worth 5 pence when used against orders—so you can soon get most of the price of the catalogue back anyway!

**55p. plus 22p POST AND PACKING**

**Send off the coupon today. It's your first step to solving your component buying problems.**

Please write your Name and Address in block capitals

NAME .....

ADDRESS .....



HOME RADIO (Components) LTD., Dept. PW,  
234-240 London Road, Mitcham, Surrey CR4 3HD

Regd. No.  
912966 London

# PRACTICAL WIRELESS

VOL. 50 NO. 5  
ISSUE 811  
SEPTEMBER 1974

BRITAIN'S PREMIER MAGAZINE FOR THE DO-IT-YOURSELF RADIO AND ELECTRONICS CONSTRUCTOR

**EDITOR** Morris A. Colwell

**ASSISTANT EDITOR**

Lionel E. Howes, G3AYA

**ART EDITOR** Peter Metalli

**TECHNICAL EDITOR**

Eric Dowdeswell, G4AR

**PRODUCTION & NEWS**

**EDITOR**

Colin R. Riches

**PROJECTS SUB-EDITOR**

Geoffrey C. Arnold

**TECHNICAL ARTIST**

Alan Martin

**SECRETARIAL** Jenny Maunder

01-634 4292

Susan King

**ADVERTS. MANAGER**

01-634 4293

Roy Smith

**CLASSIFIED ADVERTS.**

01-634 4301

Colin R. Brown

---

Published by IPC Magazines Ltd.,  
Fleetway House, Farringdon Street,  
London EC4A 4AD. Tel. 01-634 4444

---

## SUBSCRIPTIONS

Publisher's Subscription Rate for one year to the UK is £3.25 and to the rest of the world £3.50 including postage. Enquiries to Subscription Department, IPC Magazines Ltd., Carlton House, 88 Gt. Queen Street, London, WC2 5DD. Phone 01-242 4477. International Giro facilities Account No. 5122007. Please state reason for payment "message to payee".

Binders (£1.34) and indexes (11p) can be supplied by the Binders Dept at the same address.

## BACK NUMBERS

We regret that we are unable to supply back numbers of Practical Wireless. Readers are recommended to enquire at a public library to see copies. Requests for specific back numbers of Practical Wireless and Television only can be published in our CQ Column.

## COPYRIGHT AND QUERIES

© IPC Magazines Limited 1974. Copyright in all drawings, photographs and articles published in "Practical Wireless" is fully protected and reproduction or imitation in whole or in part is expressly forbidden. All reasonable precautions are taken by "Practical Wireless" to ensure that the advice and data given to readers are reliable. We cannot, however, guarantee it and we cannot accept legal responsibility for it. Prices are those current as we go to press.

We regret that we cannot answer technical queries by telephone nor can we provide information or advice on manufacturers' products other than that given in the magazine. We will endeavour to assist readers who have queries relating to articles published but we cannot offer advice on modifications to our published designs. All correspondents expecting a reply should enclose a stamped addressed envelope.

## ● NEWS & COMMENT

- 400 PROGRESS—Leader article and October preview
  - 401 NEWS . . . NEWS . . . NEWS . . .
  - 410 PRODUCTION LINES—Products reviewed by *Colin Riches*
  - 422 TELEVISION—Coming in the September issue
  - 423 NEXT MONTH IN PRACTICAL WIRELESS
  - 435 HOTLINES on recent developments by *Novus*
  - 442 AUDIO FAIR—advanced notice
  - 449 LETTERS
  - 450 ON THE AIR
  - 450 Broadcast Bands, VHF/FM—*Simon David*
  - 453 Medium Waves—*Charles Molloy*
  - 453 Short Waves—*Malcolm Connah*
  - 454 Amateur Bands, Short Wave/VHF—*Eric Dowdeswell, G4AR*
- 

## ● CONSTRUCTIONAL

- 402 AUDIO SQUELCH UNIT—*R. A. Penfold*
  - 408 EXPERIMENTAL WORKSHOP Loudspeaker Drivers  
—*M. J. Hughes, M.A.*
  - 413 TRANSISTOR DETECTORS—*G. R. Wilding*
  - 424 P.W. "EPSOM" General Coverage SW Receiver Part 1  
—*Eric Dowdeswell, G4AR*
  - 436 TELE-TENNIS, Part 3—*M. J. Hughes, M.A.*
  - 446 TAKE 20 No. 63 I.F. Signal Generator—*David Andrews*
- 

## ● OTHER FEATURES

- 404 ALL ABOUT F.E.T.s Part 1—*T. Bailey*
- 417 OSCILLOSCOPE TECHNIQUES Part 7—*Alan C. Ainslie*
- 433 GRAVITATIONAL WAVES — *J. B. Dance, M.Sc.*
- 445 GOING BACK—Equipment of yesteryear—*Colin Riches*
- 449 TECHNICROSS No. 6



# RSC 100 watt DISCO SYSTEM



50 WATT SPEAKER 50 WATT SPEAKER  
TWIN TURNABLE WITH PRE-AMP and POWER AMPLIFIER

AT FANTASTIC LOW PRICES!

Complete with lid

HEADPHONES MICROPHONE

## DISCOMASTER TWIN TURNTABLE POWER CONSOLE

Garrard SP25 or McDonald MP60 turntables, Sonotone or Acos cartridges with diamond stylus. Facilities as TDI Console but with built-in 100 watt Power Amplifier, complete with lid. Or Deposit £11.48 and 18 fortnightly payments £5.74 Carr. £2.50 (Total £114.80) **£99.95**

## R.S.C. COLUMN SPEAKERS

All types 16 Ohms covered in Rexine and Vynair

**TYPE C132 30-40 WATTS** Fitted two exceptionally efficient, low feedback howl characteristic high flux 13" x 8" 20 watt speakers. Terms: Dep. £2.98 and 8 monthly payments £2.81 (Total £28.03) Carr. 65p. **£19.95**

**TYPE C370 70 WATTS** Fitted three 12" 25 watt Highly sensitive high flux speakers with high power voice coils. Size approx. 54" x 14" x 11". Dep. £9.95 & 8 monthly pymts. £4.31 **£39.95** (Total £43.43) Carr. 85p

IDEAL FOR VOCALISTS AND PUBLIC ADDRESS

## ALL RSC PRICES INCLUDE VAT

INTEREST CHARGES REFUNDED on Credit Purchases settled in 3 months



## MINSTREL 8W GUITAR AMP.

Incorporating Tremolo and 13" x 8" or 10" Speaker. Output 8 watts R.M.S. Continuous. 3 Jack Inputs for Microphone and Instrument. Mains Neon Controls: Volume, Tone, Tremolo Speed Tremolo Intensity. Terms: Deposit £3.95 and 8 monthly payments £2.99 (Total £28.07). Carr. free **£19.95**

**FANE CRESCENDO SPEAKERS**  
Full range available at ALL BRANCHES

## FAL PHASE 50 Mk. III AMPLIFIER 50 WATT

Solid state. 4 Separately controlled inputs Plus master vol. control. Ind. Bass and Treble Controls. Protective Circuitry against serious output overloading. Output for Speaker/s 3 to 30 ohms. Size 17" x 7" x 7 1/2". 200-250v. A.C. mains. Output 50 watts music rating. Or deposit £9.98 & 8 monthly payments £4.81. Total £44.41. **£39.93**



## RSC PHANTOM '50' Combined 50W Amplifier and 12in. Loudspeaker.

For Lead Guitar, Mic., Gram, Radio, Tape (Not for use with Bass Instruments). Inc. 3 inputs and 2 vol. controls plus Treble, Bass and Presence. Output Jack for additional 16 ohm Speaker. Attractively finished in black with silver-finished fascia and trimmings. Compact size. Fitted carrying handle. Terms: Deposit £6.39 and 8 monthly payments £6.39 (Total £57.51). Carr. £1.50 SAE for leaflet **ONLY £49.95** SPECIAL PRICE for limited period



## REGENT 50X AMPLIFIER

A powerful high quality unit for lead, rhythm, guitar, vocalists, gram, radio, tape. Peak Output rating. Not for Bass Guitar.  
★ Two extra heavy duty 12in. speakers.  
★ Four Jack inputs and two Volume Controls for instant use of up to four pick-ups or "mikes". Bass and Treble controls. Send S.A.E. for leaflet. Credit Terms: Deposit £7.98 & 18 fortnightly payments of £3.99 (Total £79.80). Carr. £2.50. **£69.95**  
**REGENT 50B** for Bass Guitar and general purposes. Or Dep. £9.18 & 18 fortnightly payments £4.59. **£79.95** (Total £91.80). Carr. £2.50



## GP30 AMPLIFIER For Guitar, Vocal or Instrumental Group

A 4 Input, 2 vol. control Hi-Fi 30 watt unit with Separate Bass and Treble controls. Current valves. Peak output rating. Strong Rexine covered cabinet with handles. Attractive black/silver P.V.C. fascia. Neon indicator. For 200-250v. A.C. mains. For 3 or 15 ohm speakers. Send S.A.E. for leaflet. Terms: Deposit £3.58 and 8 monthly payments of £3.58 **£27.95** (Total £32.22). Carr. 75p



## C4/100 HEAVY DUTY COLUMN SPEAKERS

Suitable for Public Address or Vocal and Instrumental Groups. Fitted four 12" 50 watt speakers. Robust attractive Vynair covered cabinet 58" x 16" x 10" approx. SPECIAL PRICE Carr. £1.50 Or Dep. £20 and 12 monthly pymts £3.90 (Total £86.80) **£59.95**

**NOW SEVEN NEW BRANCHES**  
BOLTON, COVENTRY  
DONCASTER, STOCKPORT  
SUNDERLAND, PRESTON  
and NOTTINGHAM

**NEW LARGER PREMISES AT HULL, DARLINGTON, NEWCASTLE & DERBY**



Barclaycard and Access accepted

All items subject to availability. Prices correct at 30.5.74 E. & O.E.

HI-CENTRES LTD.

R.S.C. BRANCHES OPERATE A 5-DAY WEEK OPEN ALL DAY SATURDAY

BRADFORD 10 North Parade (Closed Wed.). Tel. 25349  
BOLTON 23 Deansgate. (Closed Wed.). Tel. 33512  
BIRMINGHAM 30/31 Great Western Arcade. Tel. 021-236 1279 (Closed Wed.).  
COVENTRY 17 Shelton Square, The Precinct. Tel. 25983  
DERBY 97 St. Peter's Street. (Closed Wed.). Tel. 41364  
DARLINGTON 19 Northgate (Closed Wed.). Tel. 86043

DONCASTER 3 Queensgate, Waterdale Centre. (Closed Thurs.). Tel. 63069  
EDINBURGH 101 Lothian Rd. (Closed Wed.). Tel. 229 9501  
GLASGOW 326 Argyle St. (Closed Tues.). Tel. 248 4158  
HULL 7 Whitefriargate (Closed Thurs.). Tel. 20505  
LEICESTER 32 High Street (Closed Thurs.). Tel. 56420  
LEEDS 5-7 County Arcade, Briggate (Closed Wed.). Tel. 28252  
LIVERPOOL 73 Dale St. (Closed Wed.). Tel. 236 3573  
LONDON 238 Edgware Road, W.2. (Closed Thurs.). Tel. 723 1629

MANCHESTER 60A Oldham Street (Closed Wed.). Tel. 236 2778  
MIDDLESBROUGH 108 Newport Road (Closed Wed.). Tel. 47098  
NEWCASTLE UPON TYNE 24 Newgate Shopping Centre (Closed Wed.). Tel. 21469  
NOTTINGHAM 19/19A Market Street (Closed Thurs.). Tel. 48068  
PRESTON 41 Friargate Walk, St. Georges Shoppg Prec. Tel. 51979  
SHEFFIELD 13 Exchange Street (Castle Mkt. Bldg. (Closed Thurs.). Tel. 20716  
STOCKPORT 8 Little Underbank (Closed Thurs.). Tel. 480-0777  
SUNDERLAND 5 Market Sq. (Closed Wed.). Tel. 70573

Units listed below

- (a) DISCOMASTER TWIN TURNTABLE CONSOLE with integral 100W amp.
- (b) PAIR OF HI-FI HEADPHONES
- (c) MATCHING DYNAMIC 'MIKE' (attached to 'h'phone)
- (d) PAIR 50 WATT SPEAKERS Black Rexine covered Cabinets Size approx. 18" x 18" x 8"

(a) (b) (c) & (d) Carr. £3.00 **£149.95**

Deposit £19.95 & 19 fortnightly payments of £7.87 (Total £169.48).

# RSC TDI DISCO CONSOLE

Incorporating twin Garrard SP25 or BSR MP60 type turntables and Sonotone or Acos Cartridges with diamond stylus. Separate Vol. controls for each turntable. Also MONITORING FACILITIES, plus Treble and Bass Controls. Separate input for 'mike' with vol. control switch. Black Vynair covered Cabinet with lid, see illustration on left. Or Dep. £7.98 and 18 fortnightly payments. £3.99 (Total £78.80) Carr. £1.50 **£69.95**

## FANE ULTRA HIGH POWER LOUDSPEAKERS

All power ratings are R.M.S. continuous. 2 YEARS' GUARANTEE High flux ceramic magnets. ALL CARRIAGE FREE.



'POP' 100  
18" 100Watt  
14,000 gauss  
8/15Ω  
**£29.70**  
Dep. £3.80 and 5 monthly payments £3.80 (Total £34.20)

'POP' 60  
15" 60 Watt  
14,000 gauss  
8/15Ω  
**£16.95**  
Dep. £2.17 and 8 monthly payments £2.17 (Total £19.53)

'POP' 50  
12" 50 Watt  
13,000 gauss  
15Ω  
**£12.99**  
Dep. £1.96 and 8 monthly payments £1.71 (Total £16.83)

FOR BASS GUITAR, ELECT. ORGAN, ETC.

## NEW 'POP' 55 12" 60W

Gauss 15,000 Imp 8/15Ω Or Dep £2.45 & 8 monthly payments £2 (Total £18.45) Carr. Free **£15.95**

## FANE SPEAKERS 'POP' 25/2 12 in. 30 WATT

Dual Cone 15 Ω (for uses other than Bass Guitar or Electronic Organ). Carr. free **£8.99** CREDIT TERMS (PAIRS ONLY) Dep. £2.80 & 8 monthly pymts. £2.80 (Total £21.20)

## GROUP EQUIPMENT PACKAGE OFFERS

F.A.L. PHASE 50 MK. III AMPLIFIER	£47.77	PACKAGE PRICE
PR. FANE POP 25/2 30W L/SPEAKERS	£17.98	
Terms: Deposit £7.35 and 8 monthly payments of £7.35 (Total £68.15)	<b>£62.75</b>	<b>£57.95</b> Carr. £1.10
F.A.L. PHASE 50 MK. III AMPLIFIER	£47.77	PACKAGE PRICE
PR. FANE POP 50 L/SPEAKERS	£25.98	
Terms: Deposit £22.00 and 12 monthly payments of £4.20 (Total £72.40)	<b>£70.75</b>	<b>£64.95</b> Carr. £1.10
F.A.L. PHASE 50 AMPLIFIER	£44.77	PACKAGE PRICE
PAIR L12/20 SPKRS (in Cabinets)	£28.90	
Terms: Deposit £22.00 and 12 monthly payments £4.20 (Total £72.40)	<b>£70.67</b>	<b>£64.95</b> Carr. £2.00

## HIGH QUALITY LOUDSPEAKER UNITS

ALL TWO TONE REXINE AND VYNAIR FINISH  
L125 50 WATT Fitted pair of 12" 50 watt high flux speakers for conservative rating. Impedance 8-15 ohms. Carr. £1.50  
Or deposit £7.95 and 8 monthly pymts. of £4.72. Total £46.71  
L12/20 12" 25 WATT 13,000 lines 16 ohms Terms for Pairs. Dep. £2.82 & 8 monthly pymts £3.82 **£12.95** (Total £29.88) Carr. 55p.  
L12/10 10-15 Watt Veneered cabinet 11" unit 8-15 ohm. Approx. 14" x 14" x 9" Carr. 65p. Terms for Pairs. Dep. £2.05 & 8 monthly pymts £2.05 (Total £18.45). **£7.95**



# PE SCORPIO Mk 2 ignition system kit new from ELECTRO SPARES

\* 6 OR 12 VOLT  
\* + VE AND - VE GROUND

Here's the new, improved version of the original PE Scorpio Electronic Ignition System—with a big plus over all the other kits—the PE Scorpio Kit is designed for both positive and negative ground automotive electrical systems. Not just +ve ground. Nor just -ve ground. But both! So if you change cars, you can be almost certain that you can change over your PE Scorpio Mk. 2 as well. Containing all the components you need, this Electro Spares PE Scorpio Mk. 2 Kit is simply built, using our easy-to-follow instructions. Each component is a branded unit by a reputable manufacturer and carries the manufacturer's guarantee. Ready drilled for fast assembly. Quickly fitted to any car.

When your PE Scorpio Mk. 2 is installed, you instantly benefit from all these PE Scorpio Mk. 2 advantages.

- ★ Easier starting from cold
- ★ Firing even with wet or oiled-up plugs
- ★ Smoother running at high speed
- ★ Fuel saving
- ★ More power from your engine
- ★ Longer spark plug life
- ★ No more contact-breaker burn

Electro Spares prices:

De luxe Kit only £11.50 inc. VAT and p & p.  
Ready Made Unit £14.75 inc. VAT and p & p.  
State 6V or 12V system.

Send SAE now for details and free list.

## FM VARICAP STEREO TUNER

As featured in the May 1973 issue of 'Practical Electronics', Superb Hi-Fi tuner Kit now available from Electro Spares including cabinet and all components—pre set Mullard modules for R.F. and I.F. circuits, Motorola I.C. Phase Lock Loop Decoder for perfect stereo reception. No alignment needed. Guaranteed first time results—or send it back, and we'll return it in perfect order (for a nominal handling charge). Electro Spares price only £28.50 inc. VAT and p & p.

## 'GEMINI' STEREO AMPLIFIER

A superb unit with a guaranteed output of 30 watts RMS per channel into 8 ohms. Full power THD is a mere 0.02%, and frequency response is -3 dB from 20 Hz to 100 kHz into 8 or 15 ohms. Electro Spares have already sold 100s and 100s of these Kits. Get yours now! Depending on your choice of certain components, the price can vary from £50 to £60 inc. VAT and p & p.

- ★ All components as specified by original authors, and sold separately if you wish
- ★ Full constructional data book with specification graphs, fault finding guides, etc. 55p plus 4p postage.
- ★ Price List only Please send S.A.E. (preferably 9 x 4 minimum) for full details.

# ELECTRO SPARES



The Component Centre of the North  
288 ECCLESALL RD., SHEFFIELD S11 8PE (C)  
Tel: Sheffield (0742) 668888

16 CHERRY LANE  
BRISTOL BS1 3NG

## THE RADIO SHOP

TELEPHONE  
0272-421196



### TRIACS



1-6AMP PLASTIC TOS		6-5AMP ISOLATED TAB		10AMP ISOLATED TAB	
NAS0161W	100V -27	NAS0651W	100V -46	NAS1001W	100V -83
NAS0161X	100V -26	NAS0651X	100V -44	NAS1001X	100V -80
NAS0162W	200V -30	NAS0652W	200V -58	NAS1002W	200V -78
NAS0162X	200V -28	NAS0652X	200V -56	NAS1002X	200V -74
NAS0164W	400V -40	NAS0654W	400V -84	NAS1004W	400V 1-09
NAS0164X	400V -38	NAS0654X	400V -80	NAS1004X	400V 1-04
NAS0166W	600V -55	NAS0656W	600V 1-05	NAS1006W	600V 1-34
NAS0166X	600V -52	NAS0656X	600V 1-00	NAS1006X	600V 1-28

3AMP "CLIPPED TAB"		8-5AMP ISOLATED TAB		16AMP ISOLATED METAL	
NAS0301W	100V -30	NAS0851W	100V -52	NAS1601W	100V -90
NAS0301X	100V -28	NAS0851X	100V -50	NAS1601X	100V -82
NAS0302W	200V -36	NAS0852W	200V -67	NAS1602W	200V -95
NAS0302X	200V -34	NAS0852X	200V -64	NAS1602X	200V -88
NAS0304W	400V -52	NAS0854W	400V -97	NAS1604W	400V 1-40
NAS0304X	400V -50	NAS0854X	400V -92	NAS1604X	400V 1-32
NAS0306W	600V -70	NAS0856W	600V 1-20	NAS1606W	600V 1-85
NAS0306X	600V -66	NAS0856X	600V 1-14	NAS1606X	600V 1-75

Devices with Internal Trigger have "W" suffix. "X" denotes Standard Triac.



### THYRISTORS



1-6AMP MINI TOS		4AMP ISOLATED TAB		6AMP ISOLATED TAB	
NAS006R	50PIV -20	NAS106S5	50V -26	NAS206S5	50V -29
NAS006S	100PIV -23	NAS106T5	100V -30	NAS206T5	100V -33
NAS006T	200PIV -25	NAS106U5	200V -38	NAS206U5	200V -42
NAS006V	400PIV -35	NAS106V5	400V -60	NAS206V5	400V -68
NAS006X	600PIV -45				

8AMP ISOLATED TAB		16AMP ISOLATED TAB	
NAS306S5	50V -32	NAS806S5	50V -45
NAS306T5	100V -38	NAS806T5	100V -53
NAS306U5	200V -47	NAS806U5	200V -66
NAS306V5	400V -75	NAS806V5	400V £1-05

**CLOCK CHIP 7001** £8-95  
The unique 7001 represents a major breakthrough in Clock Chip design, incorporating many features available for the first time:

365 DAY CALENDAR - 12/24 HR. OPERATION - ALARM - SNOOZE ALARM - SIX DIGIT CAPABILITY - DIRECT DRIVE TO LED DISPLAY - CONTINUOUS OPERATION DURING MAINS FAILURES.

Copy of data available—please send 10p stamp.

Special kit comprising 1 7001 & 4 LED 7 segment displays and data sheets and socket £15-40

704 LED—7 seg. display -3" £1-50 each

Please add 10% VAT to all listed prices. Postage and packing 15p per order. Send 10p stamp for latest catalogue. Callers welcome.

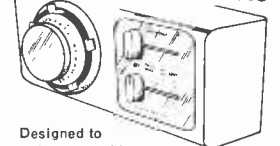
## SOLDERING GUN



ELECTRIC TRANSFORMER TYPE  
INSTANT HEAT with TRIGGER SWITCH  
£2-75  
VAT PAID  
P & P 33p

New surplus stock as illustrated. AC240 volts. Input power 100 VA. Instant heat at touch of trigger switch in handle. Constructed in robust plastic casing with work light in front and 4' x 3' core cable.

## PROGRAMME TIME SWITCHES



New surplus stock as illustrated. Size 7" x 4" x 3"

Smiths Time Switch with 24 hour dial which is simple to set to switch on/off twice per day at any times required. Also fitted with two lever switches which can be set to operate two circuits which can each be set to operate on Time Switch twice per day, all day, continuous, or off. Mounted in robust white plastic casing Drilled for fixing on back supplied with wiring instructions. Ideal for shop lighting and many other applications.

Designed to switch central heating and hot water on/off twice a day. Suitable for any electrical appliance up to 3 amps 240 volts A.C.

£5-50 P & P 28p

VAT paid.

SAE FOR CATALOGUE WITH MANY OTHER BARGAINS TO

C. W. WHEELHOUSE & SON,  
9/13 BELL ROAD,  
HOUNSLOW.

PHONE 01-570-3501.

# BRITAIN'S FASTEST SERVICE!



A SELECTION FROM OUR COMPREHENSIVE CATALOGUE

**ALL ITEMS ARE BRAND NEW AND FULLY GUARANTEED**

AA119	6p	BCY72	14p	D10 (NTGD10)	OC83	23p	2N1307	30p	7447		
AC107	50p	BD124	75p		OC84	25p	2N1308	34p	7450		
AC126	20p	BD131	40p	HP5802	29p	OC139	25p	2N1309	34p	7451	
AC127	25p	BD132	40p	HS922-33	42p	OC170	25p	2N1310	34p	7453	
AC153/176K	25p	BD131	132	HP1841-33	£2.24	OC171M	30p	401C	71p	7454	
AC187K	17p	BF180	35p	HT861-33	£2.80	OC2P71M	30p	2N1613	15p	7460	
AC188K	23p	BF194	15p	IR21-60	£1.02	ORP12	50p	2N1711	15p	7470	
AC187/188K	40p	BF195	15p	IR21-60	£1.02	ORP60	50p	2N1893	54p	7472	
AC151	20p	BF163	25p	IR21-60	£1.02	ORP60	50p	2N2218	33p	7473	
AC152	25p	BF167	25p	IR21-60	£1.02	ORP60	50p	2N2218A	44p	7474	
AC153	28p	BF173	28p	IR21-60	£1.02	ORP60	50p	2N2218A	38p	7475	
AC176	20p	BF177	25p	IR21-60	£1.02	ORP60	50p	2N2218A	38p	7476	
AC187K	17p	BF180	35p	MC1303L	£1.75	PN1A2	£2.50	2N2219	53p	7476	
AC188K	23p	BF194	15p	MC1305P	£2.80	PN70	10p	2N2368	17p	7480	
AC187/188K	40p	BF195	15p	MC1307P	£1.65	PN71	10p	2N2369	17p	7482	
ACY17	27p	BF196	15p	MC1310P	£2.80	PN107	8p	2N2369A	17p	7483	
ACY18	20p	BF200	34p	MC1330P	£0.20	PN108	8p	2N2484	42p	7485	
ACY19	20p	BF254	14p	MC1486L	£2.20	PN109	8p	2N2564	45p	7480	
ACY20	20p	BF255	15p	MC1468L	£2.80	PN3819 (2N3319)	20p	2N2904	44p	7491 A	
ACY21	19p	BFX13	25p	MC4024P	£2.20	SL103A	50p	2N2904A	49p	7492	
ACY22	19p	BFX29	32p	MC4044P	£2.20	SL403A	50p	2N2905	65p	7493	
AD140	60p	BFX84	25p	MFC4000B	65p	(Rectifier)	80p	2N2924	75p	7494	
AD149	60p	BFX85	34p	MFC6030	£1.93	SL803A	80p	2N2925	18p	7495	
AD161	44p	BFX86	34p	MFC6040	£1.93	T79	20p	2N2926	20p	7496	
AD162	44p	BFX87	30p	MFC8010	£1.38	TAA263	£1.12	2N3053	24p	74107	
AD161/162	82p	BFX88	24p	MFC8040	£1.24	TAA293	07p	2N3054	65p	74121	
AF106	30p	BFY50	22p	MFC9020	£2.12	TAA310	£1.25	2N3055	85p	74141	
AF114	27p	BFY51	19p	MJE371	08p	TAA320	75p	2N3228	£1.10	74150	
AF115	27p	BFY52	20p	MJE520	65p	TAA861	45p	2N3314A	28p	74151	
AF116	25p	BFY53	17p	MJE521	05p	T2100	£1.87	2N3225	£1.04	74153	
AF117	25p	BFY90	£1.20	MJE2955	£1.06	TAD110	£1.07	2N3702	14p	74154	
AF118	44p	BPX29	£1.40	MJE3055	60p	TBA810S	£1.88	2N3703	12p	74155	
AF124	25p	BPX66	£1.50	MJ480	97p	TIL112	£2.00	2N3704	12p	74156	
AF125	24p	BR100	20p	MJ481	11p	TIL209	30p	2N3705	12p	74190	
AF126	24p	BR139	45p	MJ481	£1.35	TIP31A	80p	2N3706	12p	74191	
AF139	47p	BSX12	16p	MJ802	£1.90	TIP32A	70p	2N3707	12p	74192	
AF186	44p	BSX20	20p	MJ802/MJ4502	TIP41A	85p	2N3708	12p	74193		
AF239	52p	BSX21	20p	MJ900	£8.56	TIP42A	£1.00	2N3709	12p	74196	
AF279	58p	BSY27	20p	MJ900	£1.80	TIS43	30p	2N3710	12p	74197	
ASV26	25p	BSY29	25p	MJ1000	£1.50	TR1	20p	2N3711	12p	40250	
ASV27	30p	BSY95A	25p	MJ5520	£2.44	VA1039	15p	2N3924	40p	40259	
ASV28	32p	BT106	£1.20	ML309K	£1.90	VQ419	15p	2N3819	28p	40310	
ASV29	32p	TY79/400R	£1.80	MPF102	37p	VA1066A	15p	2N3820	60p	40311	
BA138	15p	BY100	20p	MPF103 (2N5457)	VA1077	74p	W005	25p	2N3823E	20p	40312
BB104	34p	BY127	22p	MPF104 (2N5458)	W01	26p	2N3865	£1.10	40360	50p	
BB105	28p	BZ788C3V3	10p	MPF105 (2N5459)	W02	29p	2N3904	28p	40361	45p	
BC107	16p	BZ788C3V3	10p	MPF105 (2N5459)	W03	25p	2N3906	28p	40362	45p	
BC107/BC178	16p	BZ788C3V3	10p	MPF105 (2N5459)	W04	32p	2N4058	15p	40406	52p	
BC108	16p	BZ861C7V5	10p	NE555V	70p	W08	41p	2N4060	13p	40407	
BC108/BC178	16p	BZ861C7V5	10p	NKT0033	90p	ZTX107	12p	2N4061	13p	40408	
BC109	32p	BZ93C9V1	70p	NKT211	25p	ZTX108	11p	2N4062	13p	40409	
BC109/BC179	32p	BZ93C9V1	70p	NKT212	25p	ZTX300	13p	2N4441	10p	82p	
BC109C	18p	CA3004	£2.03	NKT213	25p	ZTX302	15p	2N3819	£2.20	40430	
BC117	15p	CA3005	£1.35	NKT218	25p	ZTX303	15p	2N4871	44p	40468A	
BC140	30p	CA3011	£3.00	NKT271	18p	ZTX330	11p	2N4991	60p	40511	
BC147	15p	CA3012	£1.37	NKT275	20p	ZTX501	30p	2N4990	45p	40575	
BC148	11p	CA3014	£1.37	NKT275	20p	ZTX501	18p	2N5457 (MPF103)	40p	40576	
BC149	12p	CA3018	72p	NKT279A	12p	ZTX502	18p	2N5458 (MPF104)	40p	40601	
BC157	13p	CA3018A	83p	NKT281	29p	ZTX503	18p	2N5459 (MPF105)	40p	40603	
BC158	12p	CA3020	£1.39	NKT351	75p	ZTX504	45p	2N5756	£1.50	40673	
BC159	13p	CA3028A	79p	NKT401	77p	NB14	4p	2N5777	45p	40739	
BC147/157	45p	CA3035	£1.37	NKT402	85p	NB3754	20p	2N5777	45p	40739	
BC148/158	23p	CA3043	£1.57	NKT403	71p	N4001	4p	2N6027 (D13T1)	4p	45p	
BC149/159	25p	CA3044	£1.28	NKT404	60p	N4002	4p	3N84	£1.30	45p	
BC167	11p	CA3046	70p	NKT405	87p	N4003	5p	3N128	75p	7495	
BC168	10p	CA3048	£2.11	NKT406	69p	N4004	7p	3N140	92p	7495	
BC169	11p	CA3052	£1.82	NMC406	£1.00	N4005	7p	3N152	92p	7495	
BC169C	12p	CA3053	47p	NMC469	66p	N4006	9p	7417/TO5	45p	7495	
BC177	10p	CA3085	£1.28	NMC505	£3.00	N4007	9p	7417/TO5	45p	7495	
BC178	16p	CA3088E	£1.24	NTGD10	40p	N4148	4p	7417/TO5	£1.92	7495	
BC179	20p	CA3089E	£1.84	OA10(NTGD10)	1N5400	14p	723/TO5	£1.92	7495		
BC182	14p	CA3090Q	£4.23	40p	N5404	18p	723/14DIL	£1.92	7495		
BC182L	14p	CA3123E	£1.80	OA47	8p	N5408	25p	747/14DIL	48p	7495	
BC183	13p	CD4000AE	55p	OA79	8p	S44	4p	748/14DIL	39p	7495	
BC183L	14p	CD4001AE	55p	OA90	6p	S920	7p	3015F	£1.40	7495	
BC184	17p	CD4007AE	55p	OA91	5p	S940	6p	3015G	£2.00	7495	
BC184L	16p	CD4009AE	£1.16	OA95	5p	N404	23p	7400	24p	7495	
BC212	16p	CD4011AE	55p	OA200	6p	N696	15p	7401	24p	7495	
BC212L	15p	CD4012AE	55p	OA202	7p	N697	17p	7042	24p	7495	
BC238	10p	CD4013AE	£1.11	OC25	45p	N698	30p	7403	24p	7495	
BC238/308	20p	CD4015AE	£2.92	OC28	78p	N706	10p	7404	24p	7495	
BC257	11p	CD4017AE	£2.92	OC29	79p	N706A	12p	7405	30p	7495	
BC258	10p	CD4018AE	£2.92	OC35	66p	N708	16p	7408	30p	7495	
BC259	12p	CD4020AE	£3.25	OC36	69p	N911	58p	7409	30p	7495	
BC307	12p	CD4024AE	£2.99	OC41	40p	N914	20p	7410	24p	7495	
BC308	10p	CD4027AE	£1.73	OC42	40p	N918	42p	7413	36p	7495	
BCY30	25p	CD4029AE	£4.12	OC44	20p	N929	25p	7420	24p	7495	
BCY31	48p	CD4049AE	99p	OC45	20p	N930	28p	7425	36p	7495	
BCY32	50p	CR1/051C	54p	OC71	20p	N131	24p	7430	24p	7495	
BCY33	20p	CR1/401C	71p	OC72	20p	N132	24p	7440	24p	7495	
BCY34	30p	CRS3/05AF	47p	OC75	25p	N1302	17p	7442	£1.39	7495	
BCY38	30p	CRS3/05AF	£1.08	OC76	25p	N1303	17p	7443	£1.74	7495	
BCY58	18p	CRS3/40AF	£1.53	OC77	40p	N1304	24p	7444	£2.47	7495	
BCY70	15p	CZ6	17p	OC81	20p	N1305	24p	7445	£2.47	7495	
BCY71	26p			OC81D	20p	N1306	30p	7446	£2.47	7495	

**TEST METER**  
This compact, robust Meter contains a transistorized amplifier enabling a very high input impedance to be achieved (at least 200K ohms per volt).

**DC & AC Ranges**  
Further details on request - ask for leaflet 06-351. £27.50 each

**LOGIC CHECKER**  
The fast effective way for checking Digital DIL IC's. Checks DIL gates, flip-flops, counters shift registers, decoders, etc., etc.  
clip on logic plates clarify circuit state.  
No interference with circuit. Input impedance responds to one TTL load.  
Instant display by LED's.  
Power supply automatically selected.  
Full instructions supplied with each at £25.85 each.

**INTEGRATED CIRCUIT TEST CLIP**  
Indispensable aid to the engineer working with DIL IC's. For use with both 14 & 16 lead packages. Clips on to device under test. Can be used as a removal tool. Accidental shorting of IC leads eliminated & Capacitance effects at HF are negligible. £1.95 each

**INTEGRATED CIRCUIT PINS**  
The lowest priced IC mounting available. Pin Sockets come in a reel, just drill your board at required centres, drop in pins and solder, break off frame holders—your DIL mounting is complete!  
Pin Sockets 1,000 pieces £7.00  
Pin Sockets 100 pieces £1.00

**NE555V TIMER I.C.**  
As used in magazine articles including July Practical Wireless. £8p  
DATA AND CIRCUITS 15p

**CA3123E** Superhet System with RF Amp, IF Amp, Mixer, OSC, I.C. g.c. Detector and Voltage Regulator. Ideal for car radio applications. £1.80  
APPLICATION SHEET & DATA 15p

**SEVEN WATT AUDIO AMP. I.C.** £1.68  
TBA810S Featuring thermal protection. Ideal for car radio applications.  
APPLICATION SHEET & DATA 15p

**PACKAGED CIRCUITS**  
The complete range of Newmarket modules currently being featured in magazine articles. See catalogue for details. £1.50

**ANEX SOLDERING EQUIPMENT**  
X25/240v 25w iron. £2.15 SK2/240v 15w kit £3.40  
MLX 12v 25w kit, essential for car tool kit £2.70  
X50TC 240v 50w temperature controlled £7.95

**ARROW** SPECIALISE IN EDUCATIONAL AND GOVERNMENT ORDERS  
—See catalogue for further details.

**ARROW SERVICE PLUS**  
10% DISCOUNT OVER £4. NO POSTAGE AND PACKING. TOP QUALITY PRODUCTS ALWAYS BY RETURN  
COMPREHENSIVE CAT. →

Important Notice "All prices are exclusive of V.A.T. Please add 10% V.A.T. to the final total of your order after deducting any discount which may be due" VAT. REG. 246062672

**ARROW ELECTRONICS LTD.**  
DEPT. PW 12, 7 COPTFOLD ROAD  
BRENTWOOD  
ESSEX CM14 4BN

I enclose PO/Cheque for 10p  
Name \_\_\_\_\_  
Address \_\_\_\_\_  
Arrow Electronics Limited  
Dept. PW 12  
7 Coptfold Road  
Brentwood  
Essex  
CM14 4BN  
REGISTRATION No. 1062424

# SWLs — DXers — AMATEURS!

WHATEVER YOUR LOCATION  
**PARTRIDGE** offer you **TOP CLASS PERFORMANCE**  
 using **WORLD RECORD** patented **VFA** system!

Read what the experts say:

**W7OE** (retd. U.S. Govt. Electronics Engr.): "JOYSTICK VFA 5ft. below ground, same as dipole. Elevated 15ft., 1 S point UP on dipole."

**CQ MAGAZINE**: "will operate as well as the 3 element beam with which we compared it."

**W2EQS** on 160m band, VFA 5ft. below ground only 1 S point down on his famous "Atlantic Spanner" antenna.

**G3DCS** (C. Engr., F.I.E.R.E., Chartered Engr.): "achieved DXCC using JOYSTICK VFA in only 95 operating days."

DISCUSS YOUR PROBLEM WITH THE EXPERTS:-

Send 5p stamp for brochure:

**PARTRIDGE**  
 BROADSTAIRS KENT ENGLAND  
**ELECTRONIC LTD**

G3CED—

**BOX P, BROADSTAIRS,  
 KENT, CT10 1LD**

Tel. Thanet (0843) 62535

—G3VFA

**PADGETTS RADIO STORE**  
 OLD TOWN HALL, LIVERSEDGE,  
 YORKS WF15, 6PQ  
 TEL. HECKMONDWIKE 405285

Small 24 Volt Motor with Gear Train 60p Post Paid.

Small 24 Volt Blower Motor. 50p Post Paid.

Two Students Wireless Procedure Training Sets, each unit in a small wood box and comprises Mike, Single LR Phone and connectors £1.30 Post Paid.

Small Clock Type Sangamo Weston 200-250 v. 200 r.p.m. Mains Motor with Gear Train (ex-Slot Machine). Fair condition. 60p Post Paid.

Used 19in. TV Tubes Type AWW47-91. Perfect condition. Six months guarantee. £3.00 Carr. Paid.

Complete untested TV Sets 19in 405 Line Types £3.50 Carr. Paid. 19in 625 Line Types untested. Complete with UHF Tuner. £5.50 Carr. Paid.

Speakers Removed from TV Sets, all 3 ohm 2½ watts. 7 x 4in, 6 x 4in, 8 x 2½in. All at 27p each. Post and packing 12p.

Top Quality Tapes. Reel to Reel. 5in L.P. 55p. 7in ST 66p, 7in L.P. 80p. Post on any tape 12p.

**BERNARDS BOOKS.** Send S.A.E. for FREE LIST.

Ex Equipment Valves all Tested before despatched. 3 months guarantee on all valves. Single valves post 3p, over post paid.

ARPI2	6p	EF184	20p	PY801	17p
DY86	20p	PCF80.	6p	PY82	10p
EB91	5p	PCC84	6p	PY33	20p
EF80	10p	PCL82	15p	U191	20p
EBF89	15p	PCL84	15p	6BWW7	12p
ECC81	12p	PCL85	20p	6F23	15p
ECC82	12p	PL36	17p	30F5	12p
EY86	20p	PY81	10p	30FL1	20p
EF183	20p	PY800	17p	30P19	10p

ABOVE PRICES INCLUDE V.A.T.



for fast, easy  
 reliable soldering

Ersin Multicore Solder contains 5 cores of non-corrosive flux, instantly cleaning heavily oxidised surfaces. No extra flux required.

## EASY-TO-USE DISPENSERS



Size 5  
 Savbit alloy  
 18 swg, 30p  
 (illustrated).  
 Size 19A  
 60/40 alloy  
 18 swg, 30p  
 Size 15  
 60/40 alloy  
 22 swg, 34p

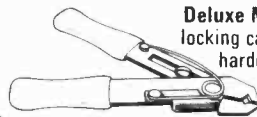
## IDEAL FOR HOME CONSTRUCTORS

Size 1 cartons in 40/60, 60/40 and Savbit alloys in 7 gauges 46p



Size 12 Reel for Service Engineers and Electricians. 18 swg Savbit alloy. £1.46

## BIB WIRE STRIPPER AND CUTTER



Deluxe Model 9 Automatic opening spring, locking catch, plastic-covered handles. Case hardened and precision ground. Adjusts to most wire sizes. Cuts and strips flex, splits plastic twin flex. 75p

Prices shown are recommended retail, excluding V.A.T. From Electrical and Hardware Shops. If unobtainable, send 10p p&p direct to **Bib Hi-Fi Accessories Limited, Hemel Hempstead, Herts HP2 7EP**



# C. T. ELECTRONICS

NOW AT 267 AND 270 ACTON LANE,  
LONDON W4 5DG

Now open our new components shop. These premises are very much larger and will enable us to have greater stocks than we already have. Having all the components under one roof will now guarantee you speedier service on the counter, and on the mail order side. We have an enormous range of components to choose from. If you are having problems getting your components then come along. We are open from 9.30 am. through till 6.00 pm. Monday to Saturday. The nearest underground is Chiswick Park, and there are no parking restrictions.

## SEMICONDUCTORS

AC107 35p	BCY70 22p	MPP105 (2N5459) 40p	TIP34A £1.55	2N1308 25p
AC125 25p	BCY71 22p	MPSA06 35p	TIP35A £3.35	2N1309 25p
AC122 21p	BD172 75p	MPSA16 30p	TIP36A £2.85	2N1613 25p
AC128 25p	BD173 75p	MPSU06 75p	TIP41A 75p	2N1711 25p
AC128 25p	BD123 75p	MPSU56 75p	TIP42A 90p	CRS1/40 60p
AC176 27p	ND124 80p	NKT135 35p	TIP29B 50p	CRS1/60 60p
ACY17 25p	BD131 75p	NKT222 25p	TIP30B 60p	CRS3/10 62p
ACY18 30p	BD132 75p	NKT401 85p	TIP32B £1.12	CRS3/20 62p
ACY19 30p	BD153 75p	NKT404 80p	TIP33B £1.12	CRS3/40 62p
ACY20 25p	BD155 75p	NKT773 30p	TIP34B £1.68	CRS7/400 £1.00
ACY39 55p	BDY11 £1.40	NKT774 30p	TIP35B £2.81	CRS16/100 90p
AD102 40p	BF195 15p	OA211 36p	TIP36B £3.64	CRS16/200 £1.60
AD211 £1.80	BFX29 30p	OA211 36p	TIP41B 83p	C106B 45p
AF114 40p	BFX84 30p	OA90 10p	TIP42B 90p	C106D 45p
AF115 25p	BFX85 30p	OA91 10p	TIP29C 75p	40669 90p
AF116 25p	BFX86 30p	OA200 10p	TIP29D 75p	40699 90p
AF117 25p	BFX88 30p	OA202 10p	TIP30C 75p	2N4444 35p
AF172 30p	BFY44 50p	OA211 36p	TIP31C 85p	BTIO/500A 90p
AS228 60p	BFY50 25p	OC19 85p	TIP32C £1.05	
BA102 33p	BFY52 25p	OC19 85p	TIP33C £1.30	
BA112 50p	BFY53 25p	OC22 55p	TIP34C £1.20	
BA114 15p	BFY90 66p	OC26 65p	TIP35C £4.10	
BC107 12p	BSW63 65p	OC36 60p	TIP36C £1.90	
BC108 12p	BSW68 80p	OC36 65p	TIP42C £1.10	
BC109 12p	BSY95A 12p	OC42 40p	TIS50 40p	
BC147 12p	C426 40p	OC44 20p	ZTX107 15p	
BC148 12p	C426 40p	OC45 20p	ZTX300 15p	
BC149 12p	BY126 20p	OC71 17p	ZTX500 18p	
BC153 15p	BY127 20p	OC72 25p	ZTX501 20p	
BC157 14p	BY164 65p	OC75 25p	ZTX504 50p	
BC158 15p	IS100 15p	OC76 25p	ZTX531 30p	
BC169C 14p	IS103 20p	OC77 40p	ZTX550 25p	
BC182 14p	MJ481 81.25p	OC83 25p	IN659 8p	
BC183 14p	MJ2801 £1.95	OC84 25p	IN914 8p	
BC184 14p	MJ2901 £2.20	OC139 30p	IN914 8p	
BC212 14p	MJE340 50p	OC140 30p	IN914 8p	
BC213 14p	MJE370 75p	OC170 25p	IN914 8p	
BC214 14p	MJE371 75p	OC171 25p	IN914 8p	
BC300 12p	MJE520 65p	OC200 50p	IN914 8p	
BC300 12p	MJE2955 £1.95	OC201 60p	IN914 8p	
BCY30 40p	MJE3055 85p	TIP29A 49p	IN914 8p	
BCY32 95p	MM1613 43p	TIP30A 58p	IN914 8p	
BCY33 45p	MM1712 60p	MPP104 62p	IN914 8p	
BCY34 60p	MPP1102 45p	(2N5458) 35p	IN914 8p	
BCY38 65p	MPP1102 45p	(2N5458) 35p	IN914 8p	
BCY39 £1.00	MPP1103 45p	TIP32A 74p	IN914 8p	
BCY55 £1.60	(2N5457) 35p	TIP33A £1.05	IN914 8p	
QTY. DISCOUNTS: 12+ less 10%; 25+ less 15%; 100+ 20%.				

## S.C.R.s

CRS1/05 40p	CRS1/10 50p	CRS1/40 60p	CRS1/60 60p	CRS3/10 62p	CRS3/20 62p	CRS3/40 62p	CRS7/400 £1.00	CRS16/100 90p	CRS16/200 £1.60	C106B 45p	C106D 45p	40669 90p	40699 90p	2N4444 35p	BTIO/500A 90p
-------------	-------------	-------------	-------------	-------------	-------------	-------------	----------------	---------------	-----------------	-----------	-----------	-----------	-----------	------------	---------------

## BRIDGE RECTIFIERS

WO2 1A 200V 38p	WY164 1-4A 200V 57p	MDA952/2 6A 100V 80p
-----------------	---------------------	----------------------

## ZENER DIODES

BZY88 3V 400W 3-3v	33V 5%.....15p	1-5W range.....25p	10W range.....45p
L.E.D.	TIL209 28p	HP5082 28p	MA2082R 25p
L.D.R.	ORP12 25p	NE555 timer 90p	

## ALUMINIUM BOXES

AB7 2 1/2 x 5 1/2 x 1 1/2 50p	AB8 4 x 4 x 1 1/2 50p	AB9 4 x 2 1/2 x 1 1/2 50p	AB10 4 x 2 1/2 x 1 1/2 50p	AB11 4 x 2 1/2 x 2 1/2 44p	AB12 3 x 2 x 1 1/2 84p	AB14 7 x 5 x 2 1/2 84p	AB15 8 x 6 x 3 1/2 £1.08	AB16 10 x 7 x 3 1/2 £1.22	AB17 10 x 4 1/2 x 3 1/2 £1.00	AB18 12 x 5 x 3 1/2 £1.20	AB19 12 x 8 x 3 1/2 £1.60
-------------------------------	-----------------------	---------------------------	----------------------------	----------------------------	------------------------	------------------------	--------------------------	---------------------------	-------------------------------	---------------------------	---------------------------

## ALUMINIUM BOXES WITH SLOPING TOP PANEL—Ideal for Pre-Amps, etc., using Slider Controls

AB20 8" Length 9" Width 3 1/2" Height at back 2" Height at front 6" Slope to front With P.K. Screws £2.00	AB21 As above but 10" long £2.20	AB22 As above but 12" long £2.40
---	----------------------------------	----------------------------------

## V 41 Vu Meter £2.50

The V41 is calibrated -20 to +3 and 0-100%, making it suitable for use as a recording level meter or as a power output indicator. Sensitivity: 130 µA. Internal resistance: 600 ohms. Dimensions: 40 x 40 x 29 mm.

## V.A.T.

Unless otherwise stated all prices are EXCLUSIVE of V.A.T. Please add 10% to all orders. Carriage: orders under £5 + 20p. Over £5 post free.

## TRIACS

TLX228B 8A 400V 95p	SC400 £1.40	SC402 £1.65	SC45D £1.70	SC45E £2.10	SC50D £2.42	SC50E £2.70	DIAC 25p
---------------------	-------------	-------------	-------------	-------------	-------------	-------------	----------

## LINEAR I.C.s

LM309K 5V, 1A	LM723C 2.37V 150mA Volt. age Reg. £1.05	MFC4000 250mW Audio 60p	TBA800 5Watt Audio £1.50	709C Op Amp D.I.L./TO99 45p	741C Op Amp 8/14 D.I.L./TO99 55p	748C Op Amp D.I.L. 75p	747C Dual Op Amp £1.20	ZN414 Radio I.C. £1.25	TAD100 Radio I.C. Inc. Fil. £1.90	CA3014 £1.55	CA3018 £1.00	CA3028 £1.20	CA3036 £1.00	CA3046 95p	CA3048 £2.35	CA3075 £1.60	CA3090Q £4.85	MC1303L £2.20	LN576023 6W Audio with circuit £1.75
---------------	---	-------------------------	--------------------------	-----------------------------	----------------------------------	------------------------	------------------------	------------------------	-----------------------------------	--------------	--------------	--------------	--------------	------------	--------------	--------------	---------------	---------------	--------------------------------------

## ★ ★ SPECIAL OFFERS ★ ★

**MINIATURE MAINS TRANSFORMER**  
PRI. 240V. SEC. 12V. 100MA. Manuf.: Hinckley  
Size: 36 x 45 x 40mm. F.C. 53mm.  
Price 1-65p. 100-60p ea. 1,000-50p ea. 10,000-40p ea.

**3 CORE PVC INSULATED MAINS CABLE, GREY ML6650, 3 x 7/0-2mm Price 100m-£4.50, 1000m-£35, 10,000m-£330.**  
0-47mf. 50V MYLAR FILM CAPACITOR. Size 1" x 0.35" x 0.65" P.C. Mount. Price 100-8p ea. 1000-5p ea. 10,000-4.3p ea.

**240V. A.C. SOLENOID.** Reversible operation: twin coil. Size approx. 2 1/2 x 1 1/2 x 1 1/2 in.

30 unmarked OC71 transistors £1.00  
25 Unmarked 250mW Zenerdiode, 4-7V, 5-1V 6-2V, 7-5, 9-1V, 10V. Measured and tested £1.00

Please state voltage required.  
50 GE Diode OA47 equivalent. £1.00  
**TRANSFORMER: DOUGLAS PRI. 0, 115, 200, 220, 240 SEC. 25-0.25-0.6V. 2 1/2A. £4.50 + 50p p.p.**

**TRANSFORMER**  
PRI. 0, 115, 160, 205, 225, 245. SEC. 35-0-35 1-2A. £4.50 + 50p p.p.

**MULLARD TUBULAR CERAMIC UHF TRIMMERS (PROFESSIONAL)**  
Type 092 0.8-2.2pF Price 10p ea.  
801 0.8-2.2pF  
991 0.5-1.3pF

QUANTITY DISCOUNTS PLEASE TELEPHONE

1000pF Feedthrough capacitor 5p ea.  
Miniature tubular P.C. trimmers 3-5-13pF 50p ea.  
6-30pF 10p ea.  
4p c/o Varley 700 Ω relay 50p ea.

**TO3 VOLTAGE REGULATORS**  
LN05 5V 500mA, L036 12V 500mA, L037 15V 450mA £1.60 ea.

## VEROBOARD

0-1	0-15
2 1/2 x 3 1/2	32p
2 1/2 x 5	35p
3 1/2 x 3 1/2	35p
3 1/2 x 5	40p
1 7/8 x 2 1/2	£1.05
1 7/8 x 3 1/2	£1.43
1 7/8 x 5	£1.84

Pin Ins. Tool ..... 72p  
Pin F. Cutter ..... Prices  
100 Pins SS ..... 30p correct  
100 Pins DS ..... 30p June 12.  
500 Pins SS ..... £1.20  
500 Pins DS ..... £1.20

## NEW SERIES TRANSISTOR DATA BOOKS

1. DTA3 USA Band 3 Transistor Characteristics 2N21-2N2659 all numbers.
2. DTT Thyristor, Triac, Diac, Put, UJT's.
3. DTH Japanese Transistor Characteristics 2SA, 2SB, 2SC, 2SD numbers.
4. DVT Diode, Comparison Tables.
5. Band 1. Transistor Characteristics. European numbers AC, AB, BC, BF etc.
6. TVT. Transistor Equivalent Tables. All books contain pin connections and semiconductor outlines.

Price £1.10 per book, £6 per 6 books inc. post

## ALSO STOCKED £2.50

Electrolytic Capacitors Mullard, Sprague, Lorin etc. Polyester, Polyethylene, Silver Mica Capacitors etc. Resistors 1/4W-10Watt. Potentiometers: carbon, wirewound, Preset, Rectilinear multiturn. Antex Soldering Irons switches, rotary, slide, toggle, etc. Cable, veroboard.

## DIGITAL INTEGRAL CIRCUITS

SN7400 20p	SN7430 20p	SN7474 40p	SN74110 80p	SN74167 £6.25	SN74170 £4.10
SN7401 20p	SN7432 20p	SN7475 55p	SN74118 £2.00	SN74170 £4.10	SN74172 £2.10
SN7402 20p	SN7433 70p	SN7476 80p	SN74119 £1.90	SN74175 £1.35	SN74176 £1.60
SN7403 20p	SN7438 65p	SN7480 80p	SN74121 65p	SN74177 £1.60	SN74180 £1.55
SN7404 20p	SN7438 65p	SN7481 £1.25	SN74122 £1.35	SN74181 £1.75	SN74181 £2.00
SN7405 20p	SN7440 20p	SN7482 87p	SN74123 £2.70	SN74181 £1.75	SN74182 £2.00
SN7406 30p	SN7441 AN	SN7483 £1.00	SN74141 £1.00	SN74184 £2.45	SN74185A £2.40
SN7407 30p	SN7442 75p	SN7484 90p	SN74145 £1.50	SN74191 £1.95	SN74192 £2.00
SN7408 20p	SN7443 £1.00	SN7485 90p	SN74150 £1.35	SN74193 £1.95	SN74194 £2.50
SN7409 45p	SN7444 £2.00	SN7490 75p	SN74151 £1.10	SN74195 £1.85	SN74196 £1.85
SN7410 20p	SN7445 £2.00	SN7491 AN	SN74153 £1.35	SN74197 £1.50	SN74198 £4.60
SN7411 23p	SN7446 £2.00	SN7492 75p	SN74154 £2.00	SN74199 £4.60	
SN7412 42p	SN7447 £1.75	SN7493 75p	SN74155 £1.55		
SN7413 30p	SN7448 £1.75	SN7493 75p	SN74156 £1.55		
SN7414 30p	SN7449 65p	SN7494 80p	SN74157 £1.80		
SN7417 30p	SN7451 20p	SN7495 80p	SN74160 £2.60		
SN7420 20p	SN7453 20p	SN7496 £1.00	SN74161 £2.60		
SN7422 48p	SN7454 20p	SN7497 £6.25	SN74162 £3.40		
SN7423 48p	SN7460 20p	SN7498 £2.50	SN74163 £3.40		
SN7425 48p	SN7470 30p	SN7499 £1.45	SN74164 £2.75		
SN7427 42p	SN7472 30p	SN7499 £1.00	SN74165 £4.00		
SN7428 50p	SN7473 40p	SN7499 £1.00	SN74166 £4.00		

## AUDIO ACCESSORY SHOP, 17 TURNHAM GREEN TERRACE, CHISWICK W4

5 Watt ..... £12.50	50 Watt ..... £36.25
15 Watt ..... £24.50	150 Watt ..... £75.90
30 Watt ..... £29.50	500 Watt ..... £124.50
<b>TRANSISTOR AMPLIFIERS</b>	
FAL Phase 50W ..... £39.93	FAL Phase 100W ..... £69.95
<b>DISCO CONSOLES</b>	
FAL Disco Mk 2 ..... £82.99	FAL Power Disco ..... £123.75
ALL PRICES INC. VAT (with 70W RMS Amp)	

## TEAK VENEERED SPEAKER CABINETS

For 8 x 5in Speaker	Size 7 1/2 x 11 1/2 x 5 1/2	£3.50
8in + Tweeter	9 1/2 x 13 1/2 x 5 1/2	£4.00
12 x 8in	10 1/2 x 17 x 5 1/2	£5.75
13 x 8in + Tweeter	12 1/2 x 18 x 8 1/2	£7.50
12in + Tweeter	15 1/2 x 18 x 8 1/2	£9.00

## REXINE COVERED SPEAKER CABINETS

Suitable for P.A. or DISCO use; takes 12in speaker unit. Size approx. 18 x 18 x 8in ..... £9.00

## SPEAKER CLOTH

Available in Black or Green; approx. width 54in ..... £1.75/yd.

## HEADPHONES

Type H-202. Features: Mono/stereo switch, Volume controls on each channel. Freq. response: 20-20,000Hz. Impedance: 4-16ohms. £4.50

## DISCO LIGHTING

Oilwheel 6in dia. .... £5.25
Suitable rpm motor ..... £1.00
Stroke 4 Joule ..... £25.00
Single flash box ..... £7.40
(100W Red, Blue, Gn. Yel.) Triple flash box £16.25
150W Projector and Wheel..... £25.00

Full range of Eagle and TTC products available at discount prices.

Secondhand bargain basement now open. High quality Hi-Fi and audio equipment.

## 8in. HI-FI SPEAKER

Dual cone plasticised roll around. Large ceramic magnet. 50-16,000 c/s. Bass resonance 55 c/s. 8 ohm impedance. 8in. 10 watt.

£3.75 Each

Post 25p

## E.M.I. 13 1/2 x 8in. SPEAKER SALE!

With twin tweeters and crossover, 10 watt.

£4.50

Post 25p

## ALSO IN STOCK

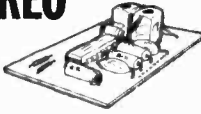
Chassis speakers: Goodmans; Fane; Celestion etc. REEL to reel tape by BASF, EMI, etc. CASSETTES, Memorex, Phillips, etc. Generous discounts on bulk purchases. Please send s.a.e. for price list.

ALL MAIL ORDER AND ENQUIRIES TO 270 ACTON LANE TEL: 01-994-6275

# BI-PRE-PAK

## AUDIO BARGAINS

**STEREO**



**DECODER**  
**£4.95**

incl. P. & P. and V.A.T.

Ready built unit, ready for connection to the I.F. stages of existing FM Radio or Tuner. A tell take light can be connected. The Unit is a small printed circuit, no further alignment necessary.

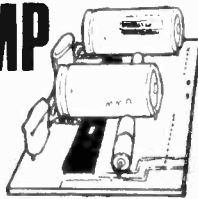
L.E.D. is recommended as the indicating light. Suitable device available from us at 36p. Instructions included.

## 3 W.R.M.S. I.C. AMP

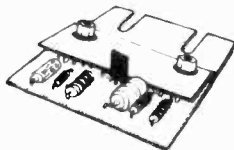
**only £1.65** Incl. P. & P. and VAT  
Order Code I.C.A. 1

on P.C. Board with all components  
or 2 on one board for £2.86  
Order Code I.C.A.1/5

These amps. are supplied with a free booklet on connecting up, specifications and easy to build projects using the I.C.A.1



## 5W & 10W AMPS



**5W ONLY £1.98**  
**10W ONLY £2.49**

incl. P. & P. and VAT

These matchbox size amplifiers have an exceptionally good tone and quality for the price. They are only 2 1/4" x 1 1/2". The 5W amp will run from a 12V car battery making it very suitable for portable voice reinforcement such as public functions. Two amplifiers are ideal for stereo. Complete connection details and treble, bass, volume and balance control circuit diagrams are supplied with each unit. Discounts are available for quantity orders. More details on request. Cheapest in the UK. Built and tested.

## Now available for 5 & 10W AMPS

Pre-assembled printed circuit boards 2" x 3" available in stereo only, will fit 15 edge connector.

**Stereo Pre-Amp 1 (Pre 1).** This unit is for use with low gain crystal or ceramic pick-up cartridges. **£1.21**

**Stereo Pre-Amp 2 (Pre 2).** This unit is for use with magnetic pick-up cartridges. **£1.69**

**Stereo Tone Control (STC).** This unit is an active tone control board and when used with the right potentiometers will give bass and treble boost and cut. **£1.21**

Instruction leaflet supplied with all units. Post and packing and VAT included in prices.

I enclose £..... for..... Decoders,.....  
3W Amps/..... 5W Amps..... 10W Amps.....  
Stereo Pre-Amps 1..... Stereo Pre-Amps 2.....  
Stereo Tone Controls.....  
(Please insert quantities and delete those not applicable)  
Name.....  
Address.....

**BI-PRE-PAK**  
Co. Regn No. B20919

Dept. D, 222/224 West Road,  
Westcliff-on-Sea, Essex S50 9DF  
Telephone: Southend (0702) 46344

**NEW**  
ALL  
SILICON!



PRACTICAL  
WIRELESS

## ELECTRONIC IGNITION SYSTEM

This Capacitor-Discharge Electronic Ignition System was described in *Practical Wireless*, and has proved extremely popular.

The kit is supplied with a ready-drilled roller-tinned printed-circuit board and fully machined die-cast case with AMP Electrical Spade Connector Block together with a custom wound transformer, first grade components and full constructional details.

The original circuit employed Germanium Power Transistors for the negative earth version. WE OFFER SILICON P.N.P. POWER DEVICES AT NO EXTRA COST! All components are available separately. Case size 4 1/2" x 3 1/2" x 2". Complete assembly and construction manual free with kit, available separately 25p.

SUITABLE FOR 12V SYSTEMS WITH NEG. OR POS. EARTH.

PRICE: **£9.50** U.K. ORDERS PLEASE ADD VAT

Quantity Discounts:

Trade and Overseas	1-5 Nett	6-9 less 10%
Enquiries Invited	10-49 less 15%	50-99 less 20%
Mail Order Only.	100-999 less 25%	1000 up less 30%

PLEASE STATE POS. OR NEG. EARTH WHEN ORDERING



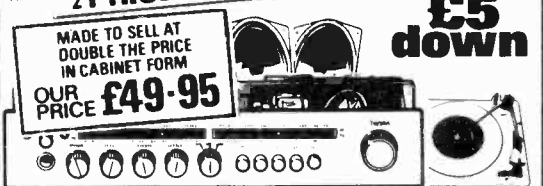
**DABAR ELECTRONIC PRODUCTS**

98, LICHFIELD STREET,  
WALSALL, STAFFS. WS1 1UZ



## QUALITY STEREO SOUND.

ALMOST **1/2 PRICE OFFER!** SOLENT AUDIO SYSTEM



MADE TO SELL AT  
DOUBLE THE PRICE  
IN CABINET FORM  
OUR  
PRICE **£49-95**

**£5  
down**

\*Stereo Tuner Amplifier chassis with AM/FM radio covering long medium short and Stereo FM wavebands. Separate Base and Treble controls. Power output 7 watts R.M.S. per channel (frequency response 25-20,000 Hz) Tape record and playback facilities. Dimensions 18" x 8 1/2" x 3 1/4". The very latest BSR automatic record deck with cue and pause control. Two matching elliptical speaker units.

Order early limited stocks available cash price £49.95. Credit Sale £5.00 deposit 9 monthly payments of £5.75 (Total Credit price £56.75). P. & P. £2.50. Send £7.50 today.

Chassis only available for cash at £35.00.

Full 12 months Guarantee.

CALLERS WELCOME.

FREE Stereo headphones supplied with every order.

**LEWIS radio** WS 9/74, 100 CHASE SIDE SOUTHGATE  
LONDON N14 5PL Telephone: 01-886 9666/3733

# TRAMPUS

**MONEY BACK IF NOT SATISFIED**  
All brand new, full spec. Top grade.  
**FREE** fabulous NEW catalogue. Send S.A.E.



Red + data. 1/8" pin source LED's 16p. TIL 209 and clip 18p.  
BIG 1/2" panel clip and RED LED 28p. GREEN and clip 33p.  
INFRA RED LED £1. IC photo amp 44p and amp/switch 35p.

**DIGITAL DISPLAY.** LED 113" 0-9 DP. DIL. £1 39. Minitron type 0-9 DP DIL £1 19. SOCKETS 13p.  
Jumbo LED display £2 29.

**DIGITAL CLOCK.** CHIPS £8, with 4 displays £12 6 displays and chip £14. Mostek date and alarm chips with 6 displays £19. pcb £1 49.  
**KIT:** All parts and case. National chip. 4 digit £20. 6 x £23.  
GAS sensor TGS 308 £2. KIT £4 99. Stereo Cassette Mechanico £11.

With data **INTEGRATED CIRCUITS** 741. 8 pin 29p. to 93 and 14 pin 27p. 748 33p. 709 21p. 710 35p. 723 59p. 555 timer 79p. ZN414 rx. £1 10. 703 rf if 28p. mc 1310 and led £2 76. mc 1339 £1 20. TAD 100 and if £2

**1 AMP + REGULATOR** 7805, 5 (& 7-20) V. also 12 & 15V £1 49.  
**AUDIO AMPS:** mfc 4000 50p. 1 and 2W £1 19. 3W £1 29

74N TTL low prices

Gates 7400, etc. 16p. 7413 32p. 7447 £1 25. 7470/72 32p. 7474/76 39p. 7490 63p. 7492 69p. 74121 49p and all others in cat.

NEW 16 pin counter/driver 90/47 £2 25. DALO p.c.b. PEN 69p.  
DIL SOCKETS: Professional/gold P. Pins hi or lo Profile 8, 14, 16 Pin 13p.

**2N3055 33p four £1.** BC107, BC108, BC109 all 9p each.  
IN914 3p. ZENERS BZY83 8p. 1A RECTS 50V 3 1/2p. 400V 5p. BRIDGE 20p.  
FETS: 2N3819 19p. 2N3823E 20p. 4416E 25p. BC128/3/4 10p. BC212/3/4 11p.  
BCY70 13p. BD131 2/3 5p ea. BFY51 2/3 15p. TIS 43 25p. 2N2926 07p. 2N3053 15p.  
2N3702/3/4/5/6/7/8/9/10/11 all 9p ea. 2N3904/6 14p. **HEAT SINKS** 51/T05, 181/T018 5p. T03: 4YL 29p. TV3 14p

**CAPACITORS:** 25V 10, 50, 100 uf 5p. DISCS 4p. PRESETS 5p. CARBON-PTS 11p. Switch + 11p. Dual 55p. ULTRASONIC TRANSDUCERS £2 ea.  
**FLUORESCENT LIGHTS,** 8W 13" 12 VOLT £2 59.

**Trampus electronics**

ADD 10% VAT TO PRICES.  
P. & P. 10p CWO.

58/60 GROVE RD., WINDSOR, BERKS.

## ENGINEERS

# FREE

## YOURSELF FOR A BETTER JOB WITH MORE PAY!

Do you want promotion, a better job, higher pay? "New Opportunities" shows you how to get them through a low cost B.I.E.T. home study course. There are no books to buy and you can pay-as-you-learn.

The B.I.E.T. guide to success should be read by every ambitious engineer. Send for this helpful 76 page FREE book now. No obligation and nobody will call on you. It could be the best thing you ever did.



**CUT OUT THIS COUPON**

**CHOOSE A BRAND NEW FUTURE HERE!**

Tick or state subject of interest. Post to the address below.

Practical Radio & Electronics (Technatron)   
Electronic Engineering   
TV Maintenance & Servicing   
General Radio & TV Engineering   
Radio Servicing   
Maintenance & Repairs   
City & Guilds Radio, TV Electronics   
Mechanics

Radio Amateurs   
Practical TV   
Colour Television   
Computer Electronics   
C & G LI Radio   
TV Servicing Cert.   
Post Master General 1st & 2nd Class   
Certs.   
C & G Electrical Engineering   
Practise   
C & G LI Installations and Wiring

General Electrical Engineering   
Society of Engineers (Electrical Eng.)   
Electrical Installations and Wiring   
C & G Electrical Technicians (Primary)   
C & G Telecommunication

To B.I.E.T. BPW 95 Aldermaston Court, Reading RG1 4PF QK **BPW 95**

NAME (Block Capitals Please)

ADDRESS

Other subjects

Accredited by C.A.C.C.

Member of A.B.C.C.

**BRITISH INSTITUTE OF ENGINEERING TECHNOLOGY**



## ALL PRICES INCLUDE V.A.T.

### SPEAKER BARGAINS

	£		£
EMI 13" x 8" 3, 8 or 15 ohm		ELAC 8" 8 ohm Dualcone	2 25
Plain	2 05	ELAC 8 ohm Dualcone 10 watt	3 50
With Co-Axial Tweeter	2 20	FANE 7" x 4" 3 or 8 ohm	1 00
Twin Tweeter	3 70	CELESTION 8" 15 ohm	1 55
Type 350		ADASTRA 10" 8 or 15 ohm,	
8 or 15 ohm,		10 watt	3 45
6 1/2" 8 ohm, 10 watt	2 40	BAKER GROUP 25 12" 8 or	
8" 8 ohm, 10 watt	3 75	15 ohm, 25 watt	7 50
12" 8 ohm, 20 watt	5 70	P. & P.	30
8" x 5" C/Mag.	1 25	5" 8 ohm, C/Mag.	85
8" x 5" Dualcone	2 45	2 1/2" 8 ohm for 64 ohm	50
GOODMANS 6 1/2" 8 ohm	2 15	Dualcone	P. & P. 15

### TWEETER & CROSSOVER

EMI 3 1/2" 3 or 8 ohm C/Mag	1 00	Dome Tweeter 8 ohm, 30 watt	5 40
Cone Tweeter 8 or 15 ohm,		Crossovers CN23 (3 ohm),	
10 watt	2 40	CN28 (8 ohm), CN216 (16	
Cone Tweeter 8 ohm,	1 45	ohm)	1 10
Horn Tweeter 8 ohm, 20 watt	6 40	P. & P.	10

### KIT FORM CABINETS TEAK VENEER

12 x 12 x 3 with 8" 8" x 5" or	2 45	18 x 11 x 9 with 13" x 8" cutout	4 25
6 1/2" and 3 1/2" cut out		for EMI 350	
17 x 10 x 9 with 8" or 13" x 8"	3 50	cutout	P. & P. ea. 45

### MICROPHONES

CM70 Planet stick metal,		TW209	5 75
switch crystal	1 55	CONDENSER MIKE 600 ohm,	
DM160 Dynamic omni-dir.		uni-dir	9 35
ball metal	3 85	Cassette Stick Mike with R.	
UD130 50K/600 ohm, uni-dir	5 75	Control on/off switch	
ball metal		(2 5 & 3 5mm J/Ply)	1 45
		P. & P.	20

### SOLDERING IRONS

ANTEX CN240 15 watt	1 90	X25 25 watt (low	1 90
SK 1 Kit (15 watt iron	3 30	leakage)	P. & P. 10
2 spare Bib etc.)			

### CARTRIDGES

ACOS GP91/2SC or GP91/3SC		BSR SCSM Stereo ceramic	2 70
Stereo comp.	1 00	SX6H Stereo crystal	1 70
GP93/1 Stereo crys.	1 25	SX6M Stereo crystal	1 70
GP94/1 Stereo crys.	1 65	X5H Mono/stereo	1 40
GP95/1	1 35	X5M Mono/stereo	1 40
GP96/1	1 65	GOLDRING G800, G850 £3 85 £2 95	
GP101	80	G800E	P. & P. 7 15p
GP104	1 65	Styli for above cartridges	
SONOTONE		Sapphire 35 D. Diamond	1 25
9THA Stereo cer. diam.	1 70	Styll for GOLDRING G800 G850 1 85	
19-TI Stereo crystal	80	G800E	P. & P. 3 95
			05

### BATTERY ELIMINATORS

240v input 6, 7.5 or 9 300mA	2 75	6, 7.5 or 9 d.c. output at	2 15
12v d.c. input (specify output)		300mA	P. & P. 15

### TAPES

5" 50p	65p	85p	7"	85p	1 15p	1 56p
5 1/2" 65p	80p	1 15p	P. & P. 1-3, 9p ea. 4 or more, lot 30p			

### LOW NOISE CASSETTES

C60	1-5	6-10	11-20	Cassette Head Cleaner	35p
C90	35p	33p	30p	P. & P. 1-5, 3p ea. 6-10, 15p lot.	
C120	45p	43p	40p	11-20, Post Free.	
	55p	52p	50p		

### PLASTIC LIBRARY CASES

For 5"		18p	CASSETTE CASES	10p
5 1/2" Reels		22p	P. & P. 1-3, 5p ea. 4 or more, 20p	
7" Reels		25p		

### BIB ACCESSORIES

Tape Editing Kit	Ref. 23	1 25	<b>SPECIAL OFFER</b>
Recording Tape			<b>SINCLAIR CAMBRIDGE</b>
Splicer	Ref. 20	1 15	<b>CALCULATOR (BATT.)</b>
Cassette Tape, editing Ref. 24	1 40		* 4 1/2" x 2" x 1 1/16", wt. 3 1/2 oz.
Cassette Salvage Kit Ref. 29	40p		* Floating Dec. Point
12" Cassette Case Ref. 34	£1 50		* Algebraic Logic
Stylus Balance	Ref. 32A	1 15	* 4 Operators with Constant
Spirit Lever	Ref. 46	50	* 8 Digit Display
Hi-Fi Stereo Test Cassette	1 90		Built £19 95
Groove-Kleen Record Cleaner	1 90		Kit £14 95
	P. & P.	10	

Send 25p for COMPLETE CATALOGUE, refundable upon first order.  
ALL OUR MERCHANDISE IS FULLY GUARANTEED.  
Subject to manufacturer increase and availability.

# Riversdale Electronics

Mail Order Department **PW8**

P.O. Box 470, Manchester M60 4BU.

# The largest selection

## BRAND NEW FULLY GUARANTEED DEVICES

Type	Price	Type	Price	Type	Price	Type	Price	Type	Price	Type	Price	Type	Price	Type	Price	Type	Price	Type	Price
AC107	0.22	AD162	0.39	BC149	0.13	BD124	0.78	BF181	0.33	MAT121	0.22	2G306	0.44	2N2160	0.86	2N3055	0.65	2N4059	0.11
AC113	0.20	AD161	A	BC150	0.20	BD131	0.55	BF182	0.44	MJE3055	0.95	2G308	0.39	2N2192	0.39	2N3092	0.18	2N4062	0.13
AC115	0.22	AD162(MP)	75	BC151	0.22	BD132	0.66	BF183	0.44	MJE3440	0.55	2G339	0.22	2N2193	0.39	2N3391A	0.18	2N4061	0.13
AC117K	0.32	AD1740	0.65	BC152	0.19	BD133	0.72	BF184	0.28	MFP102	0.46	2G339A	0.18	2N2217	0.22	2N3394	0.16	2N4062	0.13
AC122	0.13	AF114	0.27	BC153	0.31	BD135	0.44	BF185	0.33	MFP104	0.41	2G344	0.20	2N2218	0.22	2N3394	0.16	2N4062	0.13
AC125	0.19	AF115	0.27	BC154	0.33	BD136	0.44	BF187	0.40	MFP105	0.41	2G345	0.18	2N2219	0.22	2N3395	0.19	2N4062	0.13
AC126	0.19	AF116	0.27	BC158	0.13	BD137	0.50	BF188	0.33	OC20	0.70	2G347	0.18	2N2220	0.22	2N3402	0.23	2N4062	0.13
AC127	0.20	AF117	0.27	BC159	0.13	BD139	0.61	BF195	0.13	OC22	0.52	2G347B	0.18	2N2221	0.22	2N3403	0.23	2N4062	0.13
AC128	0.20	AF118	0.39	BC160	0.50	BD140	0.66	BF196	0.16	OC23	0.54	2G347C	0.18	2N2222	0.22	2N3404	0.23	2N4062	0.13
AC132	0.16	AF124	0.33	BC161	0.65	BD155	0.88	BF197	0.16	OC24	0.62	2G347D	0.18	2N2223	0.22	2N3405	0.23	2N4062	0.13
AC134	0.18	AF125	0.33	BC167	0.13	BD176	0.86	BF200	0.80	OC25	0.42	2G347E	0.18	2N2224	0.22	2N3406	0.23	2N4062	0.13
AC137	0.16	AF126	0.31	BC168	0.13	BD177	0.86	BF222	£1.05	OC26	0.42	2G347F	0.18	2N2225	0.22	2N3407	0.23	2N4062	0.13
AC141	0.20	AF127	0.31	BC169	0.13	BD178	0.72	BF258	0.66	OC27	0.42	2G347G	0.18	2N2226	0.22	2N3408	0.23	2N4062	0.13
AC141K	0.32	AF129	0.33	BC170	0.13	BD177	0.72	BF259	0.66	OC28	0.42	2G347H	0.18	2N2227	0.22	2N3409	0.23	2N4062	0.13
AC142	0.20	AF178	0.55	BC169	0.13	BD178	0.72	BF258	0.66	OC29	0.58	2G347I	0.18	2N2228	0.22	2N3410	0.23	2N4062	0.13
AC142K	0.28	AF179	0.55	BC171	0.16	BD179	0.77	BF259	0.61	OC30	0.58	2G347J	0.18	2N2229	0.22	2N3411	0.23	2N4062	0.13
AC151	0.17	AF180	0.55	BC172	0.16	BD180	0.77	BF262	0.84	OC31	0.58	2G347K	0.18	2N2230	0.22	2N3412	0.23	2N4062	0.13
AC154	0.22	AF181	0.55	BC173	0.16	BD185	0.72	BF263	0.84	OC32	0.58	2G347L	0.18	2N2231	0.22	2N3413	0.23	2N4062	0.13
AC155	0.22	AF186	0.55	BC174	0.16	BD186	0.72	BF270	0.39	OC33	0.58	2G347M	0.18	2N2232	0.22	2N3414	0.23	2N4062	0.13
AC156	0.22	AF239	0.31	BC175	0.24	BD187	0.72	BF271	0.39	OC34	0.27	2G347N	0.18	2N2233	0.22	2N3415	0.23	2N4062	0.13
AC157	0.27	AL102	0.72	BC177	0.21	BD188	0.77	BF272	0.33	OC35	0.44	2G347O	0.18	2N2234	0.22	2N3416	0.23	2N4062	0.13
AC165	0.22	AL103	0.72	BC178	0.21	BD189	0.83	BF273	0.33	OC36	0.44	2G347P	0.18	2N2235	0.22	2N3417	0.23	2N4062	0.13
AC166	0.22	AS226	0.28	BC179	0.21	BD190	0.83	BF274	0.33	OC37	0.11	2G347Q	0.18	2N2236	0.22	2N3418	0.23	2N4062	0.13
AC167	0.22	AS227	0.28	BC180	0.27	BD195	0.94	BF275	0.33	OC38	0.11	2G347R	0.18	2N2237	0.22	2N3419	0.23	2N4062	0.13
AC168	0.27	AS228	0.28	BC181	0.27	BD196	0.94	BF276	0.33	OC39	0.11	2G347S	0.18	2N2238	0.22	2N3420	0.23	2N4062	0.13
AC169	0.16	AS229	0.28	BC182	0.16	BD198	0.99	BF277	0.33	OC40	0.11	2G347T	0.18	2N2239	0.22	2N3421	0.23	2N4062	0.13
AC176	0.22	AS250	0.28	BC182L	0.16	BD198	0.99	BF278	0.33	OC41	0.11	2G347U	0.18	2N2240	0.22	2N3422	0.23	2N4062	0.13
AC177	0.27	AS251	0.28	BC183	0.16	BD199	£1.05	BF286	0.24	OC42	0.17	2G347V	0.18	2N2241	0.22	2N3423	0.23	2N4062	0.13
AC178	0.31	AS252	0.28	BC183L	0.16	BD200	£1.05	BF287	0.24	OC43	0.17	2G347W	0.18	2N2242	0.22	2N3424	0.23	2N4062	0.13
AC179	0.31	AS253	0.28	BC184	0.22	BD205	0.88	BF288	0.24	OC44	0.17	2G347X	0.18	2N2243	0.22	2N3425	0.23	2N4062	0.13
AC180	0.22	AS255	0.28	BC185	0.22	BD206	0.88	BF289	0.24	OC45	0.17	2G347Y	0.18	2N2244	0.22	2N3426	0.23	2N4062	0.13
AC180K	0.32	AS256	0.28	BC186	0.31	BD207	£1.05	BF291	0.22	OC46	0.17	2G347Z	0.18	2N2245	0.22	2N3427	0.23	2N4062	0.13
AC181	0.22	AS257	0.28	BC187	0.31	BD208	£1.05	BF292	0.22	OC47	0.17	2G347A	0.18	2N2246	0.22	2N3428	0.23	2N4062	0.13
AC181K	0.32	AS258	0.28	BC207	0.12	BDY20	£1.10	BFY53	0.19	OC48	0.17	2G347B	0.18	2N2247	0.22	2N3429	0.23	2N4062	0.13
AC187	0.24	AS273	0.28	BC208	0.12	BF115	0.27	BSX19	0.17	OC49	0.17	2G347C	0.18	2N2248	0.22	2N3430	0.23	2N4062	0.13
AC187K	0.32	AS274	0.28	BC209	0.13	BF117	0.50	BSX20	0.17	OC50	0.17	2G347D	0.18	2N2249	0.22	2N3431	0.23	2N4062	0.13
AC188	0.24	BC107	0.14	BC212L	0.14	BF118	0.75	BSX25	0.17	OC51	0.17	2G347E	0.18	2N2250	0.22	2N3432	0.23	2N4062	0.13
AC188K	0.25	BC108	0.14	BC213L	0.14	BF119	0.77	BSX25	0.17	OC52	0.17	2G347F	0.18	2N2251	0.22	2N3433	0.23	2N4062	0.13
AC17	0.28	BC109	0.15	BC214L	0.14	BF121	0.50	BSY27	0.17	OC53	0.17	2G347G	0.18	2N2252	0.22	2N3434	0.23	2N4062	0.13
AC18	0.22	BC113	0.11	BC225	0.28	BF123	0.55	BSY28	0.17	OC54	0.17	2G347H	0.18	2N2253	0.22	2N3435	0.23	2N4062	0.13
AC19	0.22	BC114	0.17	BC226	0.39	BF125	0.50	BSY29	0.17	OC55	0.17	2G347I	0.18	2N2254	0.22	2N3436	0.23	2N4062	0.13
AC20	0.22	BC115	0.17	BC201	0.27	BF127	0.55	BSY30	0.17	OC56	0.17	2G347J	0.18	2N2255	0.22	2N3437	0.23	2N4062	0.13
AC21	0.22	BC116	0.17	BC202	0.35	BF129	0.61	BSY31	0.17	OC57	0.17	2G347K	0.18	2N2256	0.22	2N3438	0.23	2N4062	0.13
AC22	0.18	BC117	0.20	BC203	0.35	BF153	0.50	BSY40	0.17	OC58	0.17	2G347L	0.18	2N2257	0.22	2N3439	0.23	2N4062	0.13
AC27	0.20	BC118	0.11	BC204	0.40	BF154	0.50	BSY41	0.17	OC59	0.17	2G347M	0.18	2N2258	0.22	2N3440	0.23	2N4062	0.13
AC28	0.21	BC119	0.33	BC440	0.34	BF155	0.77	BSY55	0.14	OC60	0.17	2G347N	0.18	2N2259	0.22	2N3441	0.23	2N4062	0.13
AC29	0.32	BC120	0.88	BC460	0.40	BF156	0.53	BSY56A	0.14	OC61	0.17	2G347O	0.18	2N2260	0.22	2N3442	0.23	2N4062	0.13
AC30	0.22	BC125	0.13	BCY30	0.20	BF157	0.51	Bu105	£2.20	OC62	0.17	2G347P	0.18	2N2261	0.22	2N3443	0.23	2N4062	0.13
AC31	0.31	BC126	0.20	BCY31	0.20	BF158	0.68	C11E	0.55	OC63	0.17	2G347Q	0.18	2N2262	0.22	2N3444	0.23	2N4062	0.13
AC34	0.23	BC132	0.13	BCY32	0.33	BF159	0.66	C11E	0.55	OC64	0.17	2G347R	0.18	2N2263	0.22	2N3445	0.23	2N4062	0.13
AC35	0.23	BC134	0.20	BCY33	0.24	BF160	0.44	C407	0.28	OC65	0.17	2G347S	0.18	2N2264	0.22	2N3446	0.23	2N4062	0.13
AC36	0.31	BC135	0.13	BCY34	0.28	BF162	0.44	C424	0.28	OC66	0.17	2G347T	0.18	2N2265	0.22	2N3447	0.23	2N4062	0.13
AC40	0.19	BC136	0.17	BCY37	0.18	BF163	0.44	C425	0.55	OC67	0.17	2G347U	0.18	2N2266	0.22	2N3448	0.23	2N4062	0.13
AC41	0.20	BC137	0.17	BCY40	0.22	BF164	0.44	C426	0.39	OC68	0.17	2G347V	0.18	2N2267	0.22	2N3449	0.23	2N4062	0.13
AC44	0.39	BC139	0.44	BCY72	0.18	BF165	0.44	C428	0.39	OC69	0.17	2G347W	0.18	2N2268	0.22	2N3450	0.23	2N4062	0.13
AD130	0.42	BC140	0.33	BCY10	0.22	BF167	0.24	C441	0.28	OC70	0.17	2G347X	0.18	2N2269	0.22	2N3451	0.23	2N4062	0.13
AD140	0.53	BC141	0.33	BCZ11	0.28	BF173	0.24	C442	0.33	OC71	0.17	2G347Y	0.18	2N2270	0.22	2N3452	0.23	2N4062	0.13
AD142	0.53	BC142	0.33	BCZ12	0.28	BF176	0.39	C444	0.39	OC72	0.17	2G347Z	0.18	2N2271	0.22	2N3453	0.23	2N4062	0.13
AD143	0.53	BC143	0.33	BD115	0.88	BF177	0.39	C450	0.24	OC73	0.17	2G347A	0.18	2N2272	0.22	2N3454	0.23	2N4062	0.13
AD149	0.45	BC145	0.33	BD116	0.88	BF178	0.39	MAT100	0.21	OC74	0.17	2G347B	0.18	2N2273	0.22	2N3455	0.23	2N4062	0.13
AD149	0.45	BC147	0.11	DD121	0.88	BF179	0.39	MAT101	0.22	OC75	0.17	2G347C	0.18	2N2274	0.22	2N3456	0.23	2N4062	0.13
AD161	0.39	BC148	0.11	DD123	0.72	BF180	0.35	MAT120	0.22	OC76	0.17	2G347D	0.18	2N2275	0.22	2N3457	0.23	2N4062	0.13

### DIODES AND RECTIFIERS

Type	Price	Type	Price	Type	Price	Type	Price
2N119	0.09	BY128	0.17	OA10	0.15	2N119	0.09

# - the lowest prices!

## P.W. TELE-TENNIS KIT OF PARTS

Including all resistors, capacitors,  
semi-conductors, I.C. sockets, switches  
and transformer

Our Usual Price £27.50

### SPECIAL OFFER

**£23.50** incl. V.A.T. and P. & P.

We regret free pack not applicable to this offer

**ND 120 NIXIE DRIVER  
TRANSISTOR.**  
Suitable replacement for  
B&N 21, C 407, 2N 1893  
120vcb.

0-19 25 100+  
0-17 0-17 0-18

**SIL. G.P. DIODES 2p**  
300mV 30 0.55  
40PIV(Min.) 100 1.85  
Sub-Min. 500 6.50  
Fully Tested 1,000 9.90  
Ideal for Organ Builders.

### AD161/162

**M/P COMP GERM.  
TRANS. OUR LOWEST  
EST PRICE OF 75p  
PER PAIR.**

Sil. trans. suitable for  
P.E. Organ. Metal TO-18  
Equiv. ZTX300 6p each.  
Any Qty

**GP 100 TO3 METAL  
CASE GERMANIUM**  
V<sub>beo</sub> = 80V, V<sub>ceo</sub> = 50V.  
I<sub>C</sub> = 10 amps. P<sub>tot</sub> =  
30W, h<sub>fe</sub> = 20-170.  
Replaces the majority of  
Germanium power trans-  
istors in the OC, AD  
and NKT range.

1 25 100+  
0-47 0-44 0-40

**GP 800 TO3 METAL  
CASE SILICON**

V<sub>beo</sub> = 100V, V<sub>ceo</sub> = 60V  
I<sub>C</sub> = 15 amps. P<sub>tot</sub> =  
115W, h<sub>fe</sub> = 20. 100T =  
1MHz. Suitable replacement  
for 2N 3055,  
BDY 11 or BDY 20

1 25 100+  
0-55 0-50 0-61

**NEW 8th EDITION**  
250 pages

**TRANSISTOR EQUIVA-  
LENTS BOOK.** A complete  
cross reference and  
equivalents book for  
European, American and  
Japanese Transistors.  
Exclusive to BI-PAK.  
£1.85 each.

**A LARGE RANGE OF  
TECHNICAL AND DATA  
BOOKS ARE NOW  
AVAILABLE IN STOCK.  
SEND FOR FREE LIST.**

### QUALITY TESTED SEMICONDUCTORS

Pak No.	Description	Price 5p
Q1	20 Red spot transistors PNP	0.85
Q2	16 White spot R.F. transistors PNP	0.85
Q3	4 OC 77 type transistors	0.85
Q4	6 Matched transistors OC44/45/81/81D	0.85
Q5	4 OC 75 transistors	0.85
Q6	5 OC 72 transistors	0.85
Q7	4 AC 128 transistors PNP high gain.	0.85
Q8	4 AC 126 transistors PNP	0.85
Q9	7 OC 81 type transistors	0.85
Q10	7 OC 71 type transistors	0.85
Q11	2 AC 127/128 Complementary pairs PNP/NPN	0.85
Q12	3 AF 116 type transistors	0.85
Q13	3 AF 117 type transistors	0.85
Q14	3 OC 171 H.F. type transistors	0.85
Q15	7 2N2926 5H. Epoxy transistors mixed colours	0.85
Q17	5 NPN 2 x ST.141 & 3 x ST.140	0.85
Q18	4 MADT'S 2 x MAT 100 & 2 x MAT 120	0.85
Q19	3 MADT'S 2 x MAT 101 & 1 x MAT 121	0.85
Q20	4 OC 44 Germanium transistors A.F.	0.85
Q21	4 AC 127 NPN Germanium transistors	0.85
Q22	20 NKT transistors A.F. R.F. coded	0.85
Q23	10 OA 202 Silicon diodes sub-min.	0.85
Q24	8 OA 81 diodes	0.85
Q25	16 IN914 Silicon diodes 75 PIV 75mA	0.85
Q26	8 OA85 Germanium diodes sub-min	0.85
Q27	2 10A PIV Silicon rectifiers 18425R	0.85
Q28	2 Silicon power rectifiers BYZ 13	0.85
Q29	4 Silicon transistors 2 x 2N696, 1 x 2N697, 1 x 2N698	0.85
Q30	7 Silicon switch transistors 2N706 NPN	0.85
Q31	6 Silicon switch transistors 2N708 NPN	0.85
Q32	3 PNP Silicon transistors 2 x 2N1131, 1 x 2N1132	0.85
Q33	3 Silicon NPN transistors 2N1711	0.85
Q34	7 Silicon NPN transistors 2N2369, 500MHz (code P397)	0.85
Q35	3 Silicon PNP TO-5. 2 x 2N2904 & 1 x 2N2905	0.85
Q36	7 2N3646 TO-18 plastic 300 MHz NPN	0.85
Q37	3 2N3053 NPN Silicon transistors	0.85
Q38	7 NPN transistors 3 x 2N3703, 2 x 2N3702	0.85

**555 I.C. 75p each**

## MAMMOTH I.C. PACK

APPROXIMATELY 200 PIECES ASSORTED  
MANUFACTURERS FALL-OUT INTEGRATED  
CIRCUITS INCLUDING LOGIC  
74 SERIES LINEAR and AUDIO AMPLIFIERS

MANY CODED also SOME UNKNOWN  
TYPES—YOU TO IDENTIFY

PAK NO. M.I.C. 200

PRICE £1.25 per PAK including p & p & V.A.T.

### INTEGRATED CIRCUIT PAKS

Manufacturers "Fall Outs" which include Functional and Part-Functional Units.  
These are classed as "out-of-spec" from the maker's very rigid specifications, but  
are ideal for learning about I.C.s and experimental work.

Pak No.	Contents	Price	Pak No.	Contents	Price	Pak No.	Contents	Price
UIC00	12 x 7400	0.55	UIC46	5 x 7446	0.55	UIC90	5 x 7490	0.55
UIC01	12 x 7401	0.55	UIC48	6 x 7448	0.55	UIC91	5 x 7491	0.55
UIC02	12 x 7402	0.55	UIC50	12 x 7450	0.55	UIC92	5 x 7492	0.55
UIC03	12 x 7403	0.55	UIC51	12 x 7451	0.55	UIC93	5 x 7493	0.55
UIC04	12 x 7404	0.55	UIC53	12 x 7453	0.55	UIC94	5 x 7494	0.55
UIC05	12 x 7405	0.55	UIC54	12 x 7454	0.55	UIC95	5 x 7495	0.55
UIC06	8 x 7406	0.55	UIC56	12 x 7456	0.55	UIC96	5 x 7496	0.55
UIC07	8 x 7407	0.55	UIC70	8 x 7470	0.55	UIC00	5 x 7400	0.55
UIC10	12 x 7410	0.55	UIC72	8 x 7472	0.55	UIC121	5 x 74121	0.55
UIC20	12 x 7420	0.55	UIC73	8 x 7473	0.55	UIC141	5 x 74141	0.55
UIC30	12 x 7430	0.55	UIC74	8 x 7474	0.55	UIC151	5 x 74151	0.55
UIC40	12 x 7440	0.55	UIC75	8 x 7475	0.55	UIC154	5 x 74154	0.55
UIC41	5 x 7441	0.55	UIC76	8 x 7476	0.55	UIC193	5 x 74193	0.55
UIC42	5 x 7442	0.55	UIC80	5 x 7480	0.55	UIC199	5 x 74199	0.55
UIC43	5 x 7443	0.55	UIC82	5 x 7482	0.55			
UIC44	5 x 7444	0.55	UIC83	5 x 7483	0.55			
UIC45	5 x 7445	0.55	UIC85	5 x 7485	0.55			

Packs cannot be split, but 25 assorted pieces (our mix) is available as PAK UIC X1.

1974 CATALOGUE  
NOW READY 10p

### NEW LOW PRICE TESTED S.C.R.'s

P1V1A	3A	5A	7A	10A	16A	30A
TO-5	TO66	TO66	TO64	TO48	TO48	TO48
80	0-26	0-28	0-39	0-39	0-52	0-55
0-28	0-37	0-52	0-52	0-55	0-64	0-70
1-00	0-39	0-41	0-54	0-63	0-67	0-83
400	0-48	0-52	0-62	0-62	0-74	0-83
800	0-69	0-63	0-75	0-75	0-85	1-07
1200	0-70	0-77	0-88	0-88	0-99	1-32

**2N3055**  
115 WATT SIL  
POWER NPN  
55p EACH

### KING OF THE PAKS Unequalled Value and Quality

## SUPER PAKS NEW BI-PAK UNTESTED SEMICONDUCTORS

Money back refund if not satisfied

Pak No.	Description	Price 5p
U 1	120 Glass Sub-Min. General Purpose Germanium Diodes	0.55
U 2	Mixed Germanium Transistors AF/RF	0.55
U 3	75 Germanium Gold Bonded Sub-Min. like OA5, OA47	0.55
U 4	Germanium Transistors like OC81, AC128	0.55
U 5	60 200mA Sub-Min. Silicon Diodes	0.55
U 6	30 Sil. Planar Trans. NPN like BBT96A, 2N206	0.55
U 7	16 Sil. Rectifiers TOP-HAT 750mA VLTO. RANGE up to 1000 V	0.55
U 8	50 Sil. Planar Diodes DO-7 Glass 250mA like OA200/202	0.55
U 9	20 Mixed Voltage, 1 Watt Zener Diodes	0.55
U10	20 BA V50 charge storage Diodes DO-7 Glass	0.55
U11	PNP Sil. Planar Trans. TO-5 like 2N1132, 2N2904	0.55
U13	30 PNP-NPN Sil. Transistors OC200 & 2S 104	0.55
U14	150 Mixed Silicon and Germanium Diodes	0.55
U15	NPN Sil. Planar Trans. TO-5 like BFT51, 2N697	0.55
U16	10 3 Amp Silicon Rectifiers 8tud Type up to 1000PIV	0.55
U17	30 Germanium PNP AF Transistors TO-5 like ACY 17-22	0.55
U18	8 6 Amp Silicon Rectifiers BYZ13 Type up to 600 PIV	0.55
U19	Silicon NPN Transistors like BC108	0.55
U20	12 1.5 Amp Silicon Rectifiers Top Hat up to 1000 PIV	0.55
U21	30 AF Germanium Alloy Transistors 2G300 Series & OC71	0.55
U23	MADT's like MHz Series PNP Transistors	0.55
U24	20 Germanium 1 Amp Rectifiers GJM Series up to 300 PIV	0.55
U25	25 300 MHz NPN Silicon Transistors 2N708, B8Y27	0.55
U26	30 Fast Switching Silicon Diodes like IN914 Micro-Min.	0.55
U29	10 1 Amp SCR's TO-5 can. up to 600 PIV C8R1/25-600	1.10
U32	25 Zener Diodes 400mV DO-7 case 3-18 volts mixed	0.55
U33	15 Plastic Case 1 Amp Silicon Rectifiers IN4000 Series	0.55
U34	30 Silicon PNP Allor Trans. TO-5 BCY26 2S302/4	0.55
U35	25 Silicon Planar Transistors PNP TO-18 2N2906	0.55
U36	Silicon Planar NPN Transistors TO-5 BFT50/51/52	0.55
U37	30 Silicon Alloy Transistors 80-2 PNP OC200, 2S322	0.55
U38	20 Fast Switching Silicon Trans. NPN 400 MHz 2N3011	0.55
U39	30 RF. Germ. PNP Transistors 2N1303/5 TO-5	0.55
U40	10 Dual Transistors 6 lead TO-5 2N2060	0.55
U43	25 Sil. Trans. Plastic TO-18 A.F. BC115/114	0.65
U44	20 Sil. Trans. Plastic TO-5 BC115/116	0.65
U45	7 3A SCR. TO66 up to 600PIV	1.10
U46	20 Unijunction transistors similar to T1943	0.55
U47	10 TO-20AB plastic triacs 50V 6A	£1.10
U48	9 NPN Sil. power transistors like 2N3055	£1.10
U49	12 NPN Sil. plastic power trans. 60W like 2N5294/5296	£1.10

Code No's. mentioned above are given as a guide to the type of device in the pak. The devices themselves are normally unmarked.

### FREE

One 55p Pak of your own choice free with orders valued £4 or over

### CADMIUM CELLS

ORP12 48p

### SIL. RECTS. TESTED

P1V	300mA	750mA	1A	1.5A	3A	10A	30A
50	0-05	0-06	1N4001	0-06	0-08	0-15	0-21
100	0-05	0-07	1N4002	0-08	0-10	0-17	0-23
200	0-08	0-10	1N4003	0-09	0-12	0-22	0-25
400	0-08	0-15	1N4004	0-08	0-15	0-30	0-38
600	0-09	0-17	1N4005	0-10	0-18	0-36	0-45
800	0-12	0-19	1N4006	0-11	0-20	0-38	0-55
1000	0-14	0-30	1N4007	0-12	0-25	0-48	0-55
1200					0-30	0-58	0-75

### DIACS

FOR USE WITH TRIACS.

BR100 (D32) 25p each

10 amp POTTED BRIDGE RECTIFIER on heat sink.

100PIV. 99p each

### TRIACS

V80M 2A 6A 10A TO-5 TO-66 TO-48

D 0 5p

100 33 55 88

200 55 66 99

400 77 88 1.21

Giro No. 388-7006

Please send all orders direct to warehouse and despatch department

# BI-PAK

P.O. BOX 6, WARE, HERTS

Postage and packing add 15p. Overseas add extra for airmail.

Minimum order 55p. Cash with order please.

Guaranteed Satisfaction or Money Back

# ELECTROVALUE

Present

## top quality electronic components for price-minded buyers

112 p. CATALOGUE • FREE POSTAGE (U.K.) • ATTRACTIVE DISCOUNTS • SPECS. GUARANTEED

### TRANSISTORS BY SIEMENS AND NEWMARKET

AC153K *npn* germanium low power 37p  
 AC176K *npn* germanium low power 38p  
 AD161 *npn* germanium medium power 42p  
 AD162 *npn* germanium medium power 40p  
 AF139 *npn* germanium UHF 57p  
 NPN: BC107 15p, BC108 14p, BC109 18p, BC167 13p, BC168 13p, BC169 13p.  
 PNP: BC177 25p, BC178 23p, BC179 24p, BC257 14p, BC258 13p, BC259 14p.  
 Standard groupings available  
 BC135 *npn* medium power 37p  
 BD136 *npn* medium power 39p

### DIODES

OA90, OA91, OA95, 6p each; OA202, 11p. Other semiconductor: AC128, 17p; AF117 34p; BFY51 23p. Full lists and technical data will be found in EV Catalogue 7.

### RESISTORS

Code	Watts	Ohms	1 to 9	10 to 99	100 up
C	1/3	4-7-470K	1-3	1-1	0-9 nett
C	1/2	4-7-10M	1-3	1-1	0-9 nett
C	3/4	4-7-10M	1-5	1-2	0-97 nett
C	1	4-7-10M	3-2	2-5	1-92 nett
MO	1/2	10-1M	4	3-3	2-3 nett
WW	1	0-22-3-p	11	10	0 nett
WW	3	1-10K	9	8	0 nett
WW	7	1-10K	11	10	0 nett

### Codes:

C = carbon film, high stability, low noise.  
 MO = metal oxide, ElectroSil TR5, ultra low noise.  
 WW = wire wound, Plessey.

Values: All E12 except C 1/3, C 1/2, and MO 1/2. E12: 10, 12, 15, 18, 22, 27, 33, 39, 47, 56, 68, 82 and their decades.  
 E24: as E12 plus 11, 13, 16, 20, 24, 30, 36, 43, 51, 62, 75, 91 and their decades.

### Tolerances:

5% except WW 10% ±0.05Ω under 10Ω and MO 1W 2%.

Prices are in pence each for quantities of the same ohmic value and power rating. NOT mixed values. (Ignore fractions of one penny on total value of resistor order.) Prices for 100 up in units of 100 only.

**This is EV Service**

### DISCOUNTS

Available on all items except those shown with NETT PRICES. 10% on orders from £5 to £14.99, 15% on orders £15 and over.

### PACKING AND POSTAGE FREE

In U.K. for pre-oid mail orders, except Baxandall. For order list value £2 and under there is an additional handling charge of 10p.

### GUARANTEE OF QUALITY

All goods are sold on the understanding that they conform to manufacturers' specifications and satisfaction is guaranteed as such—no rejects, 'seconds' or sub-standard merchandise is offered for sale.

### GIRO ACCOUNT—No. 38/671/4002

Prices quoted do not include V.A.T., for which 8% must be added to total nett value of order. Every effort is made to ensure correctness of information and prices at time of going to press. Prices subject to alteration without notice.

### POTENTIOMETERS

ROTARY CARBON TRACK. Double wipers for good contact and long working life.  
 P.20 SINGLE linear 100ohms to 4-7megohms, ea. 14p  
 P.20 SINGLE log. 4-7Kohms to 2-2megohms, ea. 14p

JP.20 DUAL GANG lin. 4-7Kohms to 2-2megohms, ea. 48p  
 JP.20 DUAL GANG log. 4-7Kohms to 2-2megohms, ea. 48p

JP.20 DUAL GANG Log/antilog 10K, 22K, 47K, 1 megohm only ea. 48p  
 JP.20 DUAL GANG antilog 10K only ea. 48p

2A DP mains switch for any of above 14p extra. Decades of 10, 22 and 47 only available in ranges above.  
 Skeleton Carbon Presets Type PR, horizontal or vertical 6p each.

### SLIDER

Linear or log. 4-7K to 1 meg. in all popular values ea. 30p  
 Escutcheon plates, black, white or light grey, ea. 10p  
 Control knobs, blk/wh/red/yel/grn/blu/dk. grey/lt. grey ea. 7p

### MINITRON DIGITAL INDICATORS

3015F Seven segment filament, compatible with standard logic modules. 0-9 and decimal point; 9mm characters in 16 lead DIL (some alphabetical symbols available) £1.20  
 Suitable BCD decoder driver 7447 £1.15  
 3015G showing + or - & 1 & dec. pt. £1.20

### CAPACITORS

DALY ELECTROLYTIC in cans, plastic sleeved  
 1000mF/25V 28p 2200/100 £1.56 2000/50 57p  
 5000/100 £2.91 1000/50 41p 5000/50 £1.18  
 5000/25V 62p

POLYESTER TYPE C.280. Radial leads or P.C.B. mounting. Working voltage 250V d.c.  
 0-01, 0-015, 0-022, 0-033, 0-047 ea. 3p  
 0-068, 0-1, 0-15 ea. 4p

0-22, 5p; 0-33 7p; 0-47 8p; 0-68 11p; 1-0 14p; 1-5 21p; 2-2 24p

SILVERED MICA. Working voltage 500V d.c. Values in pF—2-2 to 820 in 32 stages ea. 6p  
 1000, 1500 7p; 1800 8p; 2200 10p; 2700, 3600 12p; 4700, 5000 15p; 6800 20p; 8200, 10,000 25p

### TANTALUM BEAD

0-1, 0-22, 0-47, 1-0 mF/35V ea. 14p  
 2-2/16V, 2-2/35V, 4-7/16V, 10/6-3V ea. 14p  
 4-7/35V, 10/16V, 22/6-3V ea. 18p  
 10/25V, 22/16V, 27/6-3V, 100/3V, 6-8/25V, 15/25V ea. 20p

### POLYCARBONATE

Type B42540 Working Voltage—250V Values in mF:  
 0-0047, 0-0068, 0-0082, 0-01, 0-012, 0-015 ea. 3p  
 0-018, 0-022, 0-027, 0-033, 0-039, 0-047, 0-056 ea. 4p  
 0-068, 0-082, 0-1

### CERAMIC PLATE

Working voltage 50V d.c. In 26 values from 22pF to 6800pF, each, 2p

### EV CATALOGUE 7

2nd printing — Green and yellow cover 112 pages, thousands of items; Illustrations; diagrams; much useful technical information. The 2nd printing has been updated as much as possible on prices. It costs only 25p post free including refund voucher for 25p for spending when ordering goods list value £5 or more.

### APPOINTED STOCKISTS FOR SIEMENS QUALITY PRODUCTS

**ELECTROVALUE LTD**

28, ST. JUDES ROAD, ENGLEFIELD GREEN, EGHAM, SURREY TW20 0HB Telephone Egham 3603 Telex 264475 Shop hours 9-5.30 daily; Sat. 9-1 p.m.  
 NORTHERN BRANCH: 680, Burnage Lane, Burnage, Manchester M19 1NA Telephone (061) 432 4945 Shop hours 9-1 p.m. 2-5.30 daily; Sat 9-1 p.m.  
 U.S.A. CUSTOMERS are invited to contact ELECTROVALUE AMERICA, P.O. Box 27, Swarthmore PA 19081.

### JACKS AND PLUGS

Sockets  
 2-circuit unswitched S1/SS 12p  
 2-circuit 1/2 break contacts S1/BB 15p  
 3-circuit unswitched (Not GPO) S3SSS 17p  
 3-circuit with 3 break contacts S3/BBB 20p  
 2 circuit with chrome nut and black/white/red/green or grey unswitched S5/SS 16p  
 with 2 break contacts S5/BB 20p  
 Miniature 3.5mm 2-circuit, (black) 2 br. cont S6/BB 9p

### Plugs

2 circuit screened top entry P1 side entry SEP1 24p  
 Line socket mono 231 35p  
 Line socket stereo 244 40p  
 3 circuit unswitched, bl/grey/wh. P4 45p  
 2 circuit, unswitched, bl/wh/red/bl/grn/gr y P2 46p  
 3 circuit screen top entry P3 53p  
 side entry SEP3 55p  
 Miniature 3-5mm 2-circuit screened P5 13p  
 Min. 3-5mm 2-circ. unscrnd. various colours P6 10p

### INSULATED SCREW TERMINALS

In moulded polypropylene, with nickel plate on brass. With insulating set, washers, tag & nuts. 15A/250V in blk/brown/red/yel/grn/bl/gr y/wh. Type TP.1, ea. 14p  
 Suitable plugs Type TP4, 4mm each 7p  
 Type TP2, 2mm each 4p

### ZENER DIODES

Full range E24 values: 400mV: 2-7V to 33V, 14p each; 1W: 6-8V to 82V, 21p each; 1-5W: 4-7V to 75V, 67p each. 20W: 7-5V to 75V, 94p each. Clip to increase 1-5W rating to 3 watts (type 266F), 5p.

### DESOLDER BRAID

6ft strip ea. 66p  
 25 metre reel £7-15

### BAXANDALL SPEAKER KIT

As designed by P. J. Baxandall and described originally in "Wireless World." Simple to assemble, fantastically good results and a greater money saver. Carries 10 watts RMS, 15 ohm impedance. Size 18in x 12in x 10in. Complete kit, including pack-flat cabinet, £14.90. The size and weight of this product obliges us to charge 70p part cost of carr. in U.K.  
 Equaliser Assembly, £2.30.  
 Loudspeaker Unit 59RM109, £2.45.  
 Cabinet Kit (to Baxandall design), £10.45.  
 Cross-over choke for additional woofer to above £1.50.

### VEROBOARD

Copper clad 0-1 matrix—2-5 x 3-75 ins. 32p; 3-75 x 3-75 ins.—35p; 2-5 x 5 ins.—35p; 3-75 x 5 ins.—39p.  
 Copper clad 0-15 in. matrix 2-5 x 3-75 ins.—24p; 3-75 x 3-75 ins.—35p; 2-5 x 5 ins.—35p; 3-75 x 5 ins.—44p.  
 Vero spot face cutter (any matrix) 5p.  
 0-040 pins (for 0-1 matrix) per 100—35p.  
 0-052 pins (for 0-15 matrix) per 100—35p.

### DIN CONNECTORS

2 way loudspeaker Socket 10p Plug 12p  
 3 way audio Socket 10p Plug 12p  
 5 way audio 180 Socket 12p Plug 15p  
 5 way audio 240 Socket 12p Plug 15p  
 6 way audio Socket 13p Plug 15p

# ESSENTIAL BOOKS FOR RADIO AMATEURS

## TEST EQUIPMENT for the radio amateur

by H. L. Gibson, CEng, MIEE, G8CGA

Explains in detail the theory behind modern measurement techniques, and describes many items of equipment of special interest to the home constructor. Topics include signal sources, attenuators, oscilloscopes, swept measurements, aeriels and transmission lines. Detailed instructions are given for the construction of many items of test gear.  
120 pages £2 post paid

## TELEPRINTER HANDBOOK

by D. J. Goacher, G3LLZ, and  
J. G. Denny, G3NTT

A brand new book covering all aspects of modern teleprinter techniques. Full descriptions and maintenance data for all widely-used machines, together with design and use of ancillary equipment. Definitely a book for the teleprinter enthusiast's work bench.  
376 pages £5 35 post paid

## A GUIDE TO AMATEUR RADIO by Pat Hawker, G3VA

This extensively revised 15th edition is an indispensable aid to all who want to know more about amateur radio. Specially designed to assist the newcomer to the hobby, it covers technical, operating and licensing matters.  
96 pages Price 90p post paid

## AMATEUR RADIO AWARDS by C. R. Emary, G5GH

Lists all the world's major awards from national societies and how to obtain them. Includes reproductions of certificates and maps, and operating information. Loose-leaf binding allows insertion of amendment pages at a later date.  
194 pages Price £1 40 post paid

These are just four of a complete range of technical publications, log books and maps for the radio amateur. Send a large s.a.e. for the complete list.

The RSGB is the national society representing all UK radio amateurs. Membership is open to all interested in the hobby: write to the General Manager and ask for full details.



# RADIO SOCIETY OF GREAT BRITAIN

35 DOUGHTY STREET, LONDON, WC1N 2AE TEL: 01-837 8688

# SPARKRITE Mk II

## Electronic Ignition... Better on all points

Because you keep your points!

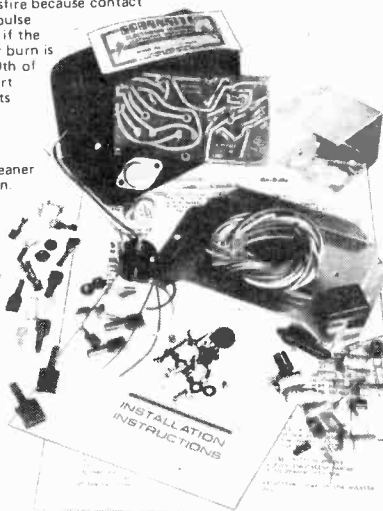
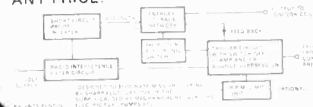


The SPARKRITE MK.2 is a full capacitive discharge electronic system. Specifically designed to retain the points assembly - with all the advantages and none of the disadvantages. No misfire because contact breaker bounce is eliminated electronically by a pulse suppression circuit which prevents the unit firing if the points bounce open at high rpm. Contact breaker burn is eliminated by reducing the current to about 1/50th of normal, thus avoiding arcing. But you can still revert to normal ignition if need be. In seconds. If points go (very unlikely) you can get replacements anywhere. All these advantages.

- Fitted in 15 minutes.
- Up to 20% better fuel consumption.
- Instant all weather starting.
- Cleaner plugs - they last 5 times longer without attention.
- Faster acceleration.
- Faster top speeds.
- Coil and battery last longer.
- Efficient fuel burning with less air pollution.

### The kit comprises everything needed

Ready drilled scratch and rust resistant case, metalwork, cables, coil connectors, printed circuit board, top quality 5 year guaranteed transformer and components, full instructions to make positive or negative earth system, and 6 page installation instruction leaflet  
WE SAY IT IS THE BEST SYSTEM AT ANY PRICE!



Sparkrite MK II full capacitive discharge electronic system - not just a transistorised inductive discharge booster.

### PRICES

D.I.Y. Kit only £11.62 incl. VAT and P & P  
Ready Built Unit £14.85 incl. VAT and P & P  
(Both to fit all cars with coil/distributor ignition up to 8 cylinders)  
We can supply units for any petrol-engined vehicle (boat, motorcycle etc) with coil/contact breaker ignition. Details on request. Call in and see us for a demonstration.

### ORDER NOW TO:

ELECTRONICS DESIGN ASSOCIATES  
(Dept P W 9) 82 Bath Street,  
Walsall WS1 3DE Phone 33652

- Please supply:  
Sparkrite Mk 2 D.I.Y. Kit(s) at £10.93 each incl. VAT and P & P (Will make pos or neg earth)   
Sparkrite Ready Built Neg. Earth Unit(s) at £14.85 each incl. VAT and P & P   
Sparkrite Ready Built Positive Earth Unit(s) at £13.86 each incl. VAT and P & P

NAME \_\_\_\_\_

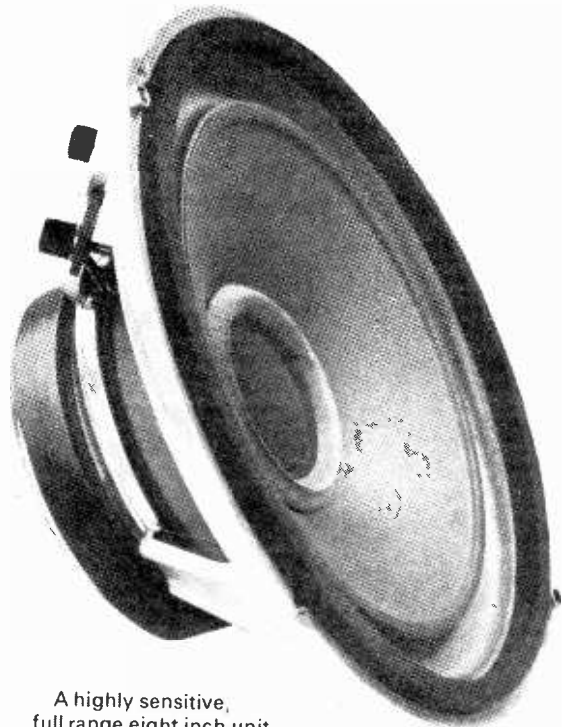
ADDRESS \_\_\_\_\_

\_\_\_\_\_

I enclose cheque/P.O. for £ \_\_\_\_\_  
Send SAE for brochure.

# Guest Speaker

## The Castle 8.RS.DD.

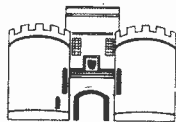


A highly sensitive, full range eight inch unit designed for use in the recommended cabinet, or one of similar dimension.

Suitable for use with good quality stereo installations, tape recorders, car radios, public address and background music systems, it has a frequency range of 50 to 20,000 kHz - the lower limit variable with increases in cabinet volume. Recommended retail price is £9.00 excluding VAT.

*Aluminium Voice Coil  
High Flux 14,000 Oersteds Ceramic Magnet  
Roll Surround  
Double Diaphragm  
8" Die-cast Chassis  
8 ohms Impedance  
15 Watt DIN Power Handling*

# Castle Acoustics Limited



Park Mill, Shortbank Road,  
Skipton, Yorks. Tel: Skipton 5333.

## ULTRON COMPONENTS

# SEMICONDUCTORS

immediate postal service—and  
**THE BEST DISCOUNTS  
EVER—**

If you use semiconductors of any description, you can't afford not to phone for a quotation:-

**882 4355** Trade enquiries welcome

**POWER UNIT** stabilised o/p 135v 20Ma & 6.3 made for use with BC221 freq meter fits in battery box 240v I/P with circ & plug ex equip **£7.30**. **TUNING CONDS** dual gang 25pf per section  $\frac{1}{4}$  shaft either end new **95p**. **WIRE RECORDERS** record only 24v DC I/P with spool of wire in case new cond **£5.25**. **PLUGS & SKS** Belling Lee type with cable cover & clamp 25 way **55p**, 18 way **35p**, 8 way **25p** also miniature types 50 way **£1**, 36 way **75p**, 24 way **50p**. **NOISE DIODES** two type CV2171 with bases heater 0 to 7v B7g type **55p**. **TRANSISTOR PANELS** size 6" x 4" new unused with 2N964 etc transistors ex USAF surplus 4 for **£1**. **SWITCH ASS** with 1p 6w swt & 6 L.F. Xtals 27 to 32Kc range **70p**. E.H.T. Smoothing conds for scopes .5uf 1Kv, .25uf 1.5Kv, .1uf 2.5Kv all **25p** ea. **DUAL GANG POTS** 10K ea section w.w. type 2 $\frac{1}{2}$ " dia with knob & dial **£1.35**. **HEAD & MIKE SETS** for use with 19 Set M.C. type 100 ohm new **£2**. **MOTORS** 115v 60c/s made by Telytype Corp quiet & powerful shaft  $\frac{3}{8}$  x 3/16ths new **£1.40**. **YAXLEY SWTS** 4p 11w 4b **76p**, 3p 6w 3b **45p**. **VIDICON CCTV CAMERA TUBES**, E.E. type P862 standard 1" 6.3 95Ma heater gen purpose type with data sheet graded according to scan marks **A £9.50**, **B £6.50**. **COAX CABLE** T.V. type grey sheath  $\frac{1}{4}$ " dia new 15 metres for **£1.20**. **SILICON DIODES** 200 PIV 8 amps 4 for **75p**. 800 PIV 750 Ma 15 for **£1.10**. **CRYSTAL OVEN** with 12 type Hc6/u holders can be removed **76p**. **PANEL ASS** with min 3K ohm 2p relay, small pot core swt etc **55p**. **SPEAKER** 4" sq 20 ohm coil & trans **75p**. Prices include VAT & Postage. SAE for list or enquiry. Goods ex equipment unless stated otherwise.

## A. H. SUPPLIES

57 MAIN ROAD, SHEFFIELD, S9 5HL 444278 (0742)



# Henry's

**DON'T RELY ON YOUR MEMORY  
BUY NOW AT BARGAIN PRICES**  
Hi Fi and Transistors - Up to date  
Brochures on request

**HENRY'S  
CATALOGUE**  
Due to rapid price changes,  
shortages of paper and raw  
materials, all prices in the  
existing catalogues no longer  
apply. Call or phone for latest  
prices. A new catalogue will  
be available for Aug/Sept. 1974.

**UK's  
LARGEST RANGE  
OF KITS &  
GADGETS**

**SPECIAL PURCHASES**  
**UHF TV TUNERS**  
CHANNELS 21 to 64  
Brand new transistorised  
geared tuners for 625 Line  
Receiver IF output. £2.50.  
Post 20p.

**PUSH BUTTON UHF TV TUNER**  
New purchase of 4 button transistorised UHF  
tuners. £3.50 + post 20p.



**UK'S  
LARGEST RANGE OF  
TRANSISTORS AND DEVICES**

## TEST EQUIPMENT

- MULTIMETERS**  
(carr. etc. 30p)
- ITI-2 20K/Volt Slimline £5 95
  - M210 (Case £1.25) 20K/Volt Slimline de-luxe £6 75
  - TLH33D 2K/Volt Robust £7 00
  - UA323 (+18FAB Osc) £12 50
  - AF105 (Case £2.25) 50K/Volt £10 50
  - UA313 20K/Volt AC current. Steel case £10 50
  - UA341 Plus Built in transistor tester £10 50
  - Model 500 (Case £2.25), 30K/Volt £11 75



- OTHER EQUIPMENT**
- SE250B Pocket Signal Injector £2.25 carr. 15p
  - TE15 Grid Dip meter 440kHz-280MHz £16 50 carr. 30p
  - TE40 AC Millivoltmeter 1.2mHz £19 75 carr. 35p
  - TE628 Range valve voltmeter £22 50 carr. 40p
  - TE20D 120kHz-500MHz RF Generator £18 95 carr. 40p
  - TE22D 20Hz-200kHz Audio Generator £19 95 carr. 40p
  - SE350A Deluxe Signal Tracer £12 95 carr. 20p
  - SE400 Volts/ohms/R-C sub./RF field/RF gen. £15 50 carr. 20p

**New Revolutionary Supertester 680R**  
680R Multi-tester £18 50

**Accessories**

- Transistor tester £11 00
- Electronic voltmeter £18 00
- Amplamp £11 95
- Temperature probe £11 95
- Guass meter £5 95
- Signal injector £5 95
- Phase Sequence £3 95
- EHT Probe £3 95
- Shunts 25/50/100A £4 50

- A SELECTION OF INTERESTING ITEMS**
- C3025 Compact transistor tester £6 95 p & p 15p
  - Q4002 Photoelectric System £13 70
  - E1310 Stereo mag. cart. preamp. £4 80 p & p 25p
  - Easiophone D1201 telephone amplifier £7 50 p & p 25p
  - D1203 Teleamp. with PU coil £4 95 p & p 20p
  - LL1 Door Intercomm. and chime £8 40 p & p 25p
  - 9" Twin spring unit For £3 30 p & p 15p
  - 16" Twin spring unit Reverbs £6 85 p & p 25p
  - US50 Ultrasonic Switch Transmitter/Receiver £12 75
  - C3041 1-250 MHz £4 25
  - C3043 5CH 1-300 MHz £4 50 p & p 15p
  - VHF 105 Aircraft Band Converter £4 20 p & p 15p
  - B2004 2 ch. Stereo mixer £6 75 p & p 15p
  - PK3 Kit. Etch your own ptd. circuits £1 95 p & p 20p

**BUILD THIS RADIO**  
Portable MW/LW radio kit  
using Mullard RF/IF module.  
Features MW-bandspread for  
extra selectivity. Slow motion  
tuning. Fibre glass PVC  
cabinet. 600MW output. All  
parts £7 98 (battery 22p), carr.  
etc. 32p.

**EXCLUSIVE: SPECIAL OFFERS**

MW/LW CAR RADIO PORTABLE CASSETTE  
+ or - Earth with speaker TAPE PLAYER - for car and  
and fixings. £6 50 c./p. 30p. carry around. £7 25 c./p. 20p.

8 TRACK CAR STEREO HANIMAX BC808 POCKET  
(- Earth) with speakers in CALCULATOR WITH  
Pds & fixgs. £12 50 c./p. 40p. % KEY. £28 95

Portable Battery Cassette HANIMAX CB811M  
Tape Player £7 25. MEMORY VERSION £33 75

Car Lighter Plug and adaptor • BC807 % Key £22 95  
for all cassette and radio • BCM850 % Key + Memory  
£7 1/2 volt output (state width) £1 95 each

Rotel Stereophones • MAINS UNIT £3 25 Extra  
RH630 £6 80 COMPACT RECORD  
RH700 £10 25 PLAYER 2 x 7 watts. Com-  
RH430 £4 14 plate with Speakers (List  
Wein W500 Battery/Mains £54 50) Price £39 95. Plus  
Cassette Recorder £12 75 free pair of stereo phones.

## EASY TO BUILD KITS BY AMTRON— EVERYTHING SUPPLIED

- Model No. £3 29
- 310 Radio control receiver £6 61
  - 300 4-channel R/C transmitter £6 61
  - 345 Superhet R/C receiver £1 66
  - 645 Simple transistor tester £4 50
  - 115 8 watt Amplifier £4 73
  - 120 12 watt amplifier £6 01
  - 125 Stereo control unit £4 16
  - 130 Mono control unit £5 31
  - 605 Power supply for 115 £5 31
  - 610 Power supply for 120 £6 84
  - 230 AM/FM aerial amplifier £3 29
  - 240 Auto packing light £6 90
  - 275 Mic. preamplifier £6 98
  - 5705 LF generator 10Hz-1mHz £21 45
  - 5755 Sq. wave generator 20Hz-20KHz £19 77
  - 590 SVR meter £9 47
  - 630 STAB Power supply 6-12v 0.25-0.1A £9 24
  - 690 DC motor speed Gov. £3 31
  - 700 Electronic Chaffinch £7 92
  - 760 Acoustic switch £12 57
  - 780 Metal Detector (electronics only) £10 91
  - 790 Capacitive Burglar alarm £7 82
  - 835 Guitar preamp. £4 99
  - 840 Delay car alarm £6 99
  - 875 CAP. Discharge Ignition for car engine (-Ve Earth) £13 99
  - 80 Scope Calibrator £2 85
  - 255 Level indicator £11 31
  - 525 120-160mHz VHF timer £8 97
  - 715 Photo cell switch £4 97
  - 795 Electronic continuity tester £15 51
  - 860 Photo timer £8 61
  - 235 Acoustic Alarm for driver £9 90
  - 465 Quartz XTAL checker £2 30
  - 220 Signal Injector £15 50
  - 390 VOX £18 75
  - 432 Testakit £8 25
  - 670 Buffer Battery Charger £6 55
  - 850 Electronic Keyer £18 75
  - 820 Electronic Digital Clock £58 50

**BUILD THIS TUNER ML3**  
MW/LW Radio Turner to use with any amplifier.  
Features Mullard RF/IF module Ferrite aerial, built  
in battery. Excellent results. Size 7" x 2 1/2" x 3 1/2".  
All parts £5 25, carr. 15p.

**Mullard FM Modules**  
LP1186 Tuning Heart Module.  
LP1185 IF Module complete with data. Price £9 00 pair.

**FM Tuner Module**  
FM5231 12v FM Tuner £7 95.  
SD4912 Stereo Decoder £7 95.  
SF62H 6v Stereo FM Tuner £9 95.

**Sinclair Special Offer**  
Stereo 60 Pre-amplifier —for use with most small amplifiers. Exclusive offer £6 75.

**TBA800 5 WATT I.C.**  
Suitable alternative to 3L403D.  
5/30 volt operated. 8/16 ohm  
5 watt output.  
With circuits and data £1 50.  
Kit with printed circuit panel £2 70. All kits available from stock.

**PP9 Eliminator Kit**  
Complete module kit 9v 100mA output £1 95, p & p 25p.

**STROBE TUBE**  
ZFT4A. Suitable for December '73 Pract. Electronics £3 50.  
ST2 (D32) DIAC 25p  
CR51/40 SCR 45p.  
ZFT4 £3 50  
ZFT8 £4 00

- JUST A SELECTION**
- \*TBA800 5 Watt IC £1 50
  - \*Sinclair IC12 6 Watt IC £2 00
  - \*ZN4141C Radio £1 20
  - \*Ultrason Transducers £5 90 pr.
  - \*3015F 75EG Indicator £1 70
  - TIL 209 LED 24p each. 22p each per 10
  - \* With circuits/data sheet

**OVER 1500 DIFFERENT SEMI - CONDUCTOR DEVICES IN STOCK**  
Free stock list—latest edition (Ref. 36) on request.  
Includes radio valves, I.C.'s Rectifiers, Triacs, SCR's, LED's, etc. More types—better prices—discounts for quantity small or large.

**GARRARD BATTERY TAPE DECK**  
GARRARD 2 speed 9 volt tape decks. Fitted record / play and oscillator/Erase heads. Wind and rewind controls. Takes up to 4" spools. Brand new complete with head circuits. £9 50 carr. 30p.

- TOP QUALITY SLIDER CONTROLS**  
60mm stroke high quality controls complete with knobs (post, etc. 15p any quantity).
- 5Ks, 10Ks, 22K, 50K, 100K, 250K, 500K, 1 Meg. 45p each.
  - Ganged Log and Lin 10K, 22K, 50K, 100K, 250K, 50p each.
  - Complete with knobs.
- MARRIOT TAPE HEADS**  
4 TRACK MONO or 2 TRACK STEREO  
'17' High Impedance £2 50  
'18' Med. Impedance £3 50  
'36' Med. Impedance £5 00  
RT30/E73 2 track mono Record/Erase low imp. 75p pair.  
Erase Heads for '17', '18' and '36' £1 00  
'63' 2 track mono, Hi imp. £1 75  
'43' Erase Head for '63' 75p  
(Post, etc. 15p any qty).

## SINCLAIR, MINIATURE AMPLIFIERS & TUNER/DECODER

- AMPLIFIERS (carr. etc. 20p)
- 4-300, 0.3 watt 9volt £1 75
  - 104, 1 watt 9 volt £3 10
  - 304, 3 watt 9 volt £3 95
  - 553, 3 watt 12 volt £4 10
  - E1208, 5 watt 12 volt £5 10
  - 608, 10 watt 24 volt £4 95
  - 410, 10 watt 28 volt £4 95
  - E1206, 30 watt 45 volt £9 95
  - E1210, 2 1/2 + 2 1/2 watts 12 volt £8 25
  - RE500, 5 watt IC mains operated Amplifier with controls £6 30
  - SAC14, 7 + 7 watt Stereo £11 75
  - SAC13, 15 + 15 watt Stereo with controls £14 95
- SP40-5 2240/stereo 08/P25 £25 00  
SP40-6 2240/stereo 08/P26 £27 75  
SP60 2260/stereo 08/P28 £30 45  
Transformer PZ8 £3 95
- 

## POWER SUPPLIES FOR EVERY PURPOSE

- (All cases unless stated chassis)
- 470C 6.75/9 volt 300 mA (Includes Tape Recorders, etc.) Multi-Adaptor for £25 post 20p
  - Car Lighter Voltage Adaptors 300mA (State voltage £1 95 ea. post 25p)
  - SC202 3.6/7.2/9 volt 400mA £4 25 carr. 30p
  - HC244R Stabilised version £5 50 carr. 30p
  - P11 24 volt 500mA (chassis) £3 20 post 20p
  - P15 28/28 volt 1 amp (chassis) £2 90 post 20p
  - P1080 12v 1 amp (chassis) £4 70 post 20p
  - P1081 45v 0.9 amp (chassis) £7 80 post 20p
  - P12 44-12 volt 0.4-1 amp £7 15 post 30p
  - SE101A 3.6/9/12 volt 1 amp (Stab.) £12 75 post 25p
  - RP164 6.75/12 1 amp (Stab.) £13 45 post 30p

**FIBRE OPTICS**  
0 01 Diam. Mono Filament £5 50  
per 100 metre reel 0 10 Diam. 64  
Fibres Sheathed. £1 00 per metre.  
SPRAYS 15mm Diam. (Mares Tail)  
Spray £10 50

All types offered subject to availability.  
Prices correct at time of press E & OE.  
10% VAT to be ADDED to ALL ORDERS.  
UK post etc. 15p per order unless stated.

**Henry's RADIO**  
EDGWARE ROAD, LONDON W2

404-406 Electronic Components and Equipment 01-402 8381  
309 PA Disco Lighting High Power Sound 01-723 6963  
303 Bargains Store (Callers only)

Home and Car Entertainment Centres London and branches now open.  
120 Shaftesbury Avenue, London W1 01-437 9692  
144, Burnt Oak Broadway, Burnt Oak, Edgware 01-952 7402  
150-154 Station Road, Harrow, Middlesex 01-663 7788/9  
354-356 Edgware Road, London W2 01-402 5854/4736

All mail to 303 Edgware Road, London W2 1BW  
All stores open 9 am to 6 pm six days a week  
Hi-Fi - Tape Equipment Discount Stock List  
Free at all stores



**ALL OUR PRICES INCLUDE V.A.T.**

**BSR LATEST SUPERSLIM**

**STEREO AND MONO**

Plays 12", 10" or 7" records. Auto or Manual. A high quality unit backed by BSR reliability with 12 months' guarantee. AC 200/250V. Size 18 1/2 x 11 in. Above motor board 3 1/2 in. Below motor board 2 1/2 in. With STEREO and MONO XTAL



**£6-75** Post 55p.

**PORTABLE PLAYER CABINET**

Modern design. Black rexine covered. Silver front grille. Chrome fittings. Motor board cut for BSR deck.

**£4-50** Post 45p.

**COMPACT PORTABLE STEREO HI-FI**

Two full size loudspeakers 18 1/2 x 10 x 8 1/2 in. Player unit clips to loudspeakers making it extremely compact. Overall size only 18 1/2 x 10 x 8 1/2 in. 3 watts per channel, plays

all records 33 rpm, 45 rpm. Separate volume & tone controls. 240V AC mains.



**Bargain Price £25**

85p carriage

Attractive Teak finish Weight 13lbs.

**SPECIAL OFFER**

SMITH'S CLOCKWORK 15 AMP TIME SWITCH 0-60 MINUTES

Single pole two-way. Surface mounting with fixing screws. Will replace existing wall switch to give light for return home, garage, automatic anti-burglar lights, etc. Variable knob. Turn on or off at full or intermediate settings. Makers last list price £4-50. Brand new and fully guaranteed. Fully insulated. **OUR PRICE £1-95** Post 25p



**WEYRAD P50—TRANSISTOR COILS**

RA2W Ferrite Aerial. 85p Printed Circuit, PCA1. 85p I.F. P50/2CC 470 kc/s. 40p J.B. Tuning Gang. 50p 3rd I.F. P50/3CC. 40p Weyrad Booklet. 10p Spare Cores. 35p OPT1. 65p Driver Trans. LFD74. 65p Ferrite Rod 8 x 1/4 in. 20p 6 x 1/4 in. 20p 3 x 1/4 in. 10p

**VOLUME CONTROLS**

80 Ohm Coax 5p. yd. BRITISH AERIALITE AERIAL-AIR SPACED 40 yd. £1-75; 80 yd. £2-80. FRINGE LOW LOSS Edge 5K.S.F. Transistor 25p. **10p yd.**

**8in & 10 x 6in ELAC HI-FI SPEAKER**

Dual cone plasticised roll surround. Large ceramic magnet. 50-16,000 c/s. Bass resonance 55 c/s. 8 ohm 10 watt.



**£3-75** Each Post 52p

10 inch 12 watt £4-50

**E.M.I. 13 1/2 x 8in. SPEAKER SALE!**

With twin tweeters and crossover, 10 watt. **£4-50** State 3 or 8 or 15 ohm. (As illustrated) Post 25p



With flared tweeter cone and ceramic magnet, 10 watt. Base res. 45-60 c/s. **£2-75** Flux 10,000 gauss. State 3 or 8 or 15 ohm. Post 25p

**BOOKSHELF CABINET**

Size 16 x 10 x 9 in. teak finish **£6-60** Post 25p

E.M.I. 13 x 8 in. BASS WOOFER. 20 WATTS 15Ω RUBBER CONE SURROUND. 25-50 Post 25p.

BLANK ALUMINIUM CHASSIS. 18 s.w.g. 2 1/2 in. sides 6 x 4 in. 45p; 8 x 6 in. 55p; 10 x 7 in. 65p; 12 x 8 in. 80p; 14 x 9 in. 90p; 16 x 8 in. 90p; 12 x 3 in. 50p; 18 x 10 in. 21. ALUMINIUM BOXES 3 x 3 x 3 in. 60p; 4 x 4 x 4 in. 70; 6 x 4 x 4 in. 80p; 9 x 4 x 4 in. 21; 12 x 4 x 4 in. 21.30. ALUMINIUM PANELS 18 s.w.g. 6 x 4 in. 12p; 8 x 5 in. 19p; 14 x 3 in. 20p; 10 x 7 in. 24p; 12 x 6 in. 25p; 12 x 8 in. 34p; 16 x 6 in. 34p; 14 x 9 in. 40p; 12 x 12 in. 47p; 16 x 10 in. 60p PAXOLIN PANEL 10 x 8 in. 20p.

**SPECIAL OFFER**

100 ohm 20W Rheostat 2 1/2 in. diam. Ceramic Former, screw terminals, 1/4 in. diam. spindle. 95p, post 25p.

**ANOTHER RCS BARGAIN!**

ELAC 9 x 5 in. HI-FI SPEAKER. TYPE 59RM. THIS FAMOUS AND WIDELY USED UNIT NOW AVAILABLE AT BARGAIN PRICE **£3.30** 10 WATT, 8 OHM. CERAMIC MAGNET.

**R.C.S. STABILISED POWER PACK KITS**

All parts and instructions with Zener Diode, Printed Circuit, Bridge Rectifiers and Double Wound Mains Transformer. Input 200/240V a.c. Output voltages available 6 or 9 or 12 or 16 or 18 or 20V d.c. at 100mA or less. PLEASE STATE VOLTAGE REQUIRED. **£2-20** Post Details S.A.E. Size 9 1/2 x 11 x 1 1/2 in.

**R.C.S. GENERAL PURPOSE TRANSISTOR PRE-AMPLIFIER BRITISH MADE**

Ideal for Mike, Tape, P.U., Guitar, etc. Can be used with Battery 9-12v. or H.T. 100-300V. d.c. operation. Size 1 1/2 x 1 1/2 x 1 1/2". Response 25 c/s. to 25 Kc/s. 26 dB gain. For use with valve or transistor equipment. **99p** Post Full instructions supplied. Details S.A.E.

**TEAKWOOD LOUDSPEAKER GRILLS**. Will easily fit to baffle board. Size 18 1/2 x 10 1/2 in—75p. 10 1/2 x 7 1/2 in—45p.

**E.M.I. WOOFER AND TWEETER KIT**

Woofer 10 1/2 x 6 1/2 in. Ceramic Magnet, 44oz. 13,000 lines. Tweeter 3 1/2 in. square, 10,000 lines. Crossover condenser full instructions supplied. Impedance 8 ohms. Power 12 watts. **£6-75** Post 45p.

**BRITISH FM/VHF TUNING HEART**

88 to 108 MC/S British made. 2 Transistors ready aligned requires 10-7 MC/S I.F. Complete with tuning gang. Connections supplied but some technical experience essential. **Our price £3-95** Post 20p

**MAINS TRANSFORMERS**

Eagle MT12 12-0-12V 50mA ..... 99p  
250-0-250 80 mA. 6-3V 3-5A 6-3V 1A or 5V 2A ..... £2-50  
350-0-350 80 mA. 6-3V 3-5A, 6-3V 1A or 5V 2A ..... £3-00  
300-0-300V 120mA. 6-3V 4A C.T. 6-3V 2A ..... £2-25  
MINIATURE 200V 20mA, 6-3V 1A ..... £1-10  
MIDGET 220V 45mA. 6-3V 2A ..... £1-20  
HEATER TRANS. 6-3V 1 1/2 amp ..... £1-20  
GENERAL PURPOSE LOW VOLTAGE. Trapped outputs at 2 amp. 3, 4, 5, 6, 8, 9, 10, 12, 15, 18, 24 and 30V £3-00  
1 amp. 6, 8, 10, 12, 18, 24, 30, 36, 40, 48, 60 £3-00  
2 amp. 6, 8, 10, 12, 18, 24, 30, 36, 40, 48, 60 £4-00  
3 amp. 6, 8, 10, 12, 18, 24, 30, 36, 40, 48, 60 £5-00  
4 amp. 6, 8, 10, 12, 18, 24, 30, 36, 40, 48, 60 £6-00  
5 amp. 6, 8, 10, 12, 18, 24, 30, 36, 40, 48, 60 £7-50  
6 amp. 6, 8, 10, 12, 18, 24, 30, 36, 40, 48, 60 £9-00  
8V 1 amp 95p 12V 300mA 75p 15V 500mA 80p 12V 750mA 95p 22V 0-22V 2 amp £2-50  
AUTO TRANSFORMERS. 115V to 230V or 230V to 115V 150W £2-95; 500W £7-50; 750W £10; 1000W £15  
CHARGER TRANSFORMERS. Input 200/250V. for 6 or 12V. 1 1/2 amp £1-50; 2 amp £1-80; 4 amp £3-60  
BATTERY CHARGERS. Ready built with leads and clips 1 1/2 amp £2; 4 amp £4; 5 amp £4-50  
FULL WAVE BRIDGE CHARGER RECTIFIERS: 6 or 12V outputs. 1 1/2 amp 40p; 2 amp 55p; 4 amp 85p.

**MAINS ISOLATING TRANSFORMER**

Primary 0-110-240V. Secondary 0-240V. 3A. 720W. Insulated terminals. Varnish impregnated. Fully enclosed in steel case with fixing lugs. **OUR PRICE £10** Carr. Famous make. (Value £19) 95p  
Can be used as 800W auto transformers 240-110V. IDEAL FOR COLOUR T.V. OR GARDEN TOOLS.

**NEW ELECTROLYTIC CONDENSERS**

2/350V .. 14p 100/25V .. 10p 32+32/350V .. 40p  
4/850V .. 14p 250/25V .. 14p 50+50/300V .. 50p  
8/450V 15p 500/25V 20p 60+100/350V .. 85p  
18/450V 22p 1000/25V .. 35p 82+82/250V .. 20p  
82/450V 35p 1000/50V .. 47p 32+32/450V .. 60p  
82/500V 50p 8+8/450V .. 22p 32+32+32/350V 85p  
25/25V 10p 8+16/480V 25p 32+32+32/450V 85p  
50/50V .. 10p 16+16/450V 40p

**LOW VOLTAGE ELECTROLYTICS**

1, 2, 4, 5, 8, 15, 25, 30, 50, 100, 200mF. 15V. 10p.  
500mF. 5V. 15p; 25V. 20p; 50V. 30p.  
1000mF. 12V. 20p; 25V. 85p; 50V. 47p; 100V. 70p.  
2000mF. 6V. 25p; 25V. 42p; 50V. 57p.  
2500mF. 50V. 62p; 3000mF. 25V. 47p; 50V. 65p.  
5000mF. 5V. 85p; 12V. 42p; 25V. 75p; 35V. 85p; 50V. 95p.

CERAMIC 1pF to 0.01mF. 4p. Silver Mica 2 to 5000pF. 4p. PAPER 350V-0.1 4p, 0.5 13p; 1mF 15p; 2mF 150V 15p. 500V-0-001 to 0-05 4p; 0.1 5p; 0.25 8p; 0.5 12p. TWIN GANG. "0-0" 208pF+178pF. 75p; 500pF standard 75p; 365+365 with 25-25pF slow motion drive 50p. SHORT WAVE, SINGLE. 10pF 20p; 25pF 55p; 50pF 65p. NEON PANEL INDICATOR. 250V AC/DC Amber 25p. RESISTORS. 1W, 1/4 W, 20% 1p; 2W, 5p. 10Ω to 10MΩ. HIGH STABILITY. 1/2 W, 2% 10 ohms to 6 meg., 10p. Ditto 5% Preferred values 10 ohms to 10 meg., 4p. WIRE-WOUND RESISTORS. 5 watt, 10 watt, 15 watt 10 ohms to 100K 10p each. VALVE TYPE 35p. TAPE OSCILLATOR COIL. Valve Type 35p.

NEW MODEL "BAKER LOUDSPEAKER" 12in. 50 watt GROUP 50/12 8 or 15 ohm high power full range. Professional quality. **£16**

**BAKER MAJOR 12" £9-90**



Post free 30-14,500 c/s. 12in. double cone, woofer and tweeter cone together with a BAKER ceramic magnet assembly having a flux density of 14,000 gauss and a total flux of 145,000 Maxwells. Bass resonance 40 c/s. Rated 20 watts. NOTE: 3 or 8 or 15 ohms must be stated.

Module kit, 30-17,000 c/s with tweeter, crossover, baffle and instructions. **£12-50** Post free Please state 3 or 8 or 15 ohms.

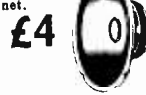
**BAKER "BIG-SOUND" SPEAKERS Post free**

'Group 25' 12 inch 25 watt £8-80 3 or 8 or 15 ohm 35 watt £9-90 8 or 8 or 15 ohm 15 inch 50 watt £20 8 or 15 ohm

TEAK VENEERED HI-FI SPEAKER CABINETS For 12in. or 10in. dia. speaker 20 x 13 x 9" £10-50 Post 25p For 18 x 8in. or 8in. speaker 18 x 10 x 9" £8-00 Post 25p For 8 x 5in. speaker 18 x 8 x 8" £4-95 Post 25p For 6in. and tweeter 12 x 8 x 6" £4-00 Post 25p LOUDSPEAKER CABINET WADDING 18in. wide, 15p ft

**EMI 6 1/2 in. HI-FI WOOFER**

8 ohm, 10 watt. Large ceramic magnet. Special Rubber cone surround. Frequency response 30-12,000 c/s. Ideal P.A. Columns, Hi-Fi Enclosure Systems, etc. Suitable cabinet 12 x 8 x 6 1/2 40p. Suitable Tweeter £2.00.



**ELAC MOVING COIL TWEETER**

The Elac cone diaphragm gives a good radiation pattern to the higher frequencies and a smooth extension of total response from 1,000 c/s to 16,000 c/s. Size 3 1/2 x 3 1/2 x 2in. deep. Rating 10 watt, 8 ohm Suitable **£1-90** Post 20p Crossover £1-30

SPEAKER COVERING MATERIALS. Samples Large S.A.E. Horn Tweeters 2-16kc/s, 10W 8 ohm or 15 ohm £1-95. CROSSOVERS TWO-WAY 3000cps 3 or 8 or 15 ohm £1-30 LOUDSPEAKERS 3 OHMS. 7 x 4in. £1-25; 6in. £1-50. 8 x 5in. £1-80 8in. £1-75; 10 x 6in. £1-10. £2-00. SPECIAL OFFER: 80 ohm, 2 1/2in.; 2 1/2in. 35 ohm, 2in.; 2 1/2in. 25 ohm, 2 1/2in. dia.; 5in. dia. 6" x 4". **£1 EACH** 8 ohm, 2 1/2in.; 3 1/2in.; 5in. dia. (6 x 4in. 8 ohm £1 TYPE RICHARD ALLAN TWIN CONE LOUDSPEAKERS. 8 in. diameter 4 watt £2-50. 10in. diameter 5 watt £2-50; 12in. diameter, 6 watt £2-95. VALVE OUTPUT TRANS. 40p; MIKE TRANS. 50:1 40p. Mike trans. au metal 100:1 £1-25.

**MAJOR 100 WATT ALL PURPOSE GROUP OR DISCO AMPLIFIER**

All purpose transistorised. Ideal for Groups, Disco and P.A. 4 inputs speech and music. 4 way mixing. Output 8/15 ohm. a.c. Mains. Separate treble and bass controls. SUPER VALVE MODEL 100 WATT CALLERS ONLY £49.



**3-WAY CROSSOVER 850 CPS and 3000 CPS £1-95**

with leads

BARGAIN 4 CHANNEL TRANSISTOR MONO MIXER. Add musical highlights and sound effects to recordings. With mic, Microphone, records, tape and tuner with separate controls into single output. 9 volt. **£4-50**

TWO CHANNEL STEREO VERSION **£5-95**

BARGAIN 3 WATT AMPLIFIER. 4 Transistor Push-Pull Ready built, with volume, treble and bass controls 18v. DC operation. **£4-50**

COAXIAL PLUG 10p. PANEL SOCKETS 10p. LINE 18p COAXIAL OUTLET BOXES, surface, 85p. BALANCED TWIN FEEDS, 80 ohm 7p yard. JACK SOCKETS Std. open-circuit 15p. closed-circuit 28p. Chrome Lead Socket 45p. Phono Plugs 15p. Phono Socket 8p. JACK PLUGS Std. Chrome 20p; 3-6mm Chrome 12p. DIN SOCKETS Chassis 3-pin 10p; 5-pin 10p. DIN SOCKETS Lead 3-pin 18p; 5-pin 25p. DIN PLUGS 3-pin 18p; 5-pin 25p. VALVE HOLDERS. 8p; CERAMIC 10p; CANS 5p.

**REVERSIBLE 4 POLE MOTOR £2-25**

1,400 r.p.m. Reversible 42 Watt. Post 25p spindle 1 1/2 x 7/32", size 3 1/2 x 3". As illustrated. With Cooling Fan 240V A.C.

E.M.I. GRAM MOTOR 120w. or 240w. A.C. 2,400 rpm. 2-pole 70mA. Size 2 1/2 x 2 1/2 in. **£1-00** Post 25p.

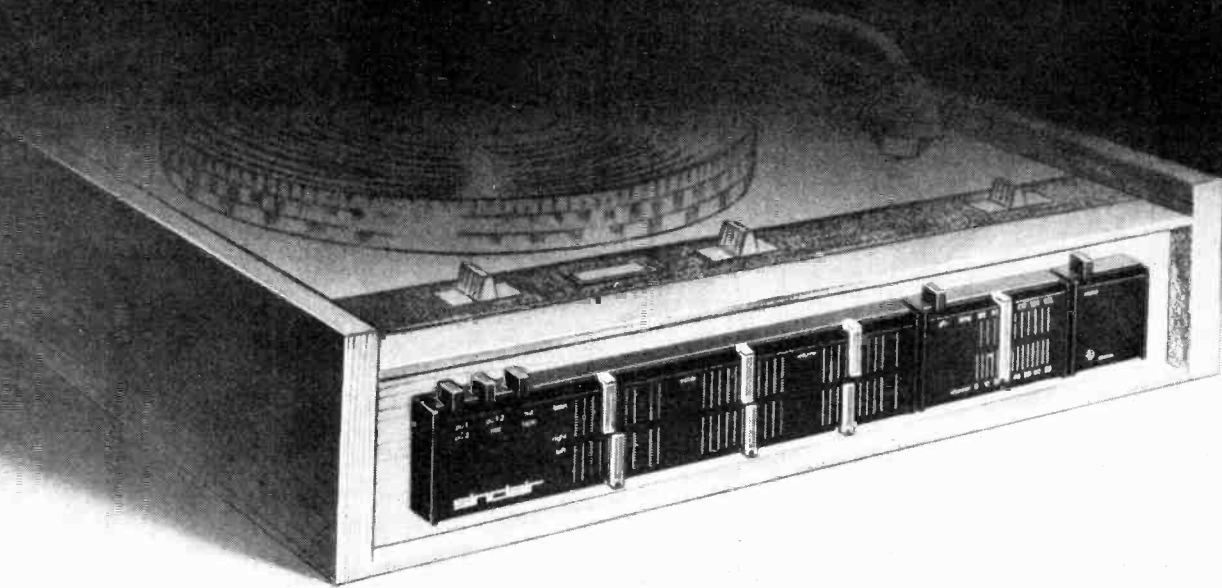
**RADIO COMPONENT SPECIALISTS**

337 WHITEHORSE ROAD, CROYDON  
Open 9-6 Wed. 9-1 Sat. 9-5 (Closed for lunch 1.15-2.30)  
Buses 50, 68, 159. Rail Selhurst. Tel. 01-684 1665

Minimum post 20p. Illustrated Brochure, Radio Books & Components Lists 10p.

# Project 80

a brilliant new concept in modular hi-fi

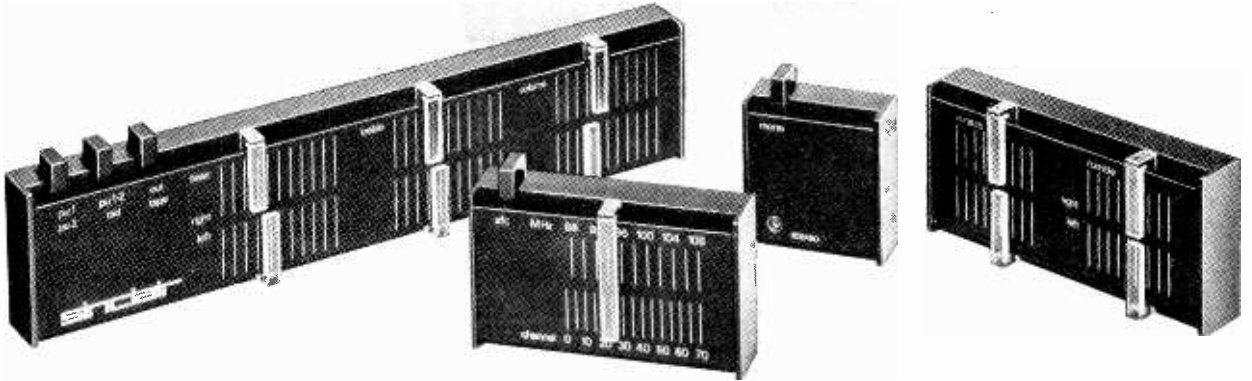


Project 80 is going to be the ultimate in modular hi-fi construction for a very long time to come. It combines the qualities most demanded of any modern domestic system – good circuitry, reliability and fine performance – with other features to be found nowhere else in the world. For example, *compactness* – Project 80 control units are  $\frac{3}{4}$ " deep  $\times$  2" high, and each one is completely self-contained.

*Elegance* – all of Sinclair's design leadership has been concentrated on producing designs of outstanding functional elegance unsurpassed for styling and simplicity. *Flexibility* – the size and styling of Project 80 modules makes them the most versatile units ever. Combine them how you will, where you will, the Project 80 System of your choice gives you the best.

**sinclair**

# Sinclair Project 80



## technically the world's most advanced

Project 80 gives you choice from a range of 9 different modules for combining in a variety of ways to suit your requirements. The Stereo 80 is a versatile pre-amp control unit designed to meet all domestic hi-fi requirements including tape monitoring, high sensitivity magnetic cartridge input, and of course, individual slide controls on each channel for precise output matching. By separating the F.M. tuner and stereo decoder, useful economies can be effected where stereo radio reception is not needed. Two power amplifiers - Z.40 (18 watts RMS continuous into 4 ohms using 35V) and Z.60 (25 watts RMS continuous into 8 ohms using 50V) are available with choice of 3 different power supply units. The PZ.8 with its virtually indestructible circuitry is particularly recommended. For the final word in system building, the Active Filter Unit puts the finishing touch of quality to what are easily the world's most technically advanced hi-fi modules. Any further units likely to be added to Project 80 range will be compatible with those already available.

**Stereo 80 Control Unit** Size - 260 50 20mm (10 1/2 2 3/8 ins)  
Finish - Black with white indicators and transparent sliders  
Inputs - Magnetic pick up 3mV RIAA corrected Ceramic pick up 350mV Radio 100mV, Tape 30mV  
Signal/noise ratio - 60db  
Frequency range - 20Hz to 15KHz  
1dB 10Hz to 25KHz 3dB  
Power requirements - 20 to 35 volts  
Outputs - 100mV AB monitoring for tape Controls - Press button tape radio and P.U.  
Sliders on each channel for volume bass treble RRP (add £1.19 V.A.T.) **£11.95**

**Project 80 FM Tuner** Size - 85 50 20mm (3 1/4 2 3/8 ins)  
Tuning range Dual varicap 87.5 to 108MHz  
Detector - I.C. balanced coincidence  
One I.C. equal to 26 transistors  
Distortion - 0.2% at 1KHz for 30% modulation  
4 pole ceramic filter in I.F. section  
Aerial impedance - 75 Ohm or 240 300 Ohm  
Sensitivity - 5 microvolts for 30dB S/N ratio  
Output - 300mV for 30% modulation  
Power requirements - 25 to 35 volts RRP (add £1.19 V.A.T.) **£11.95**

**Project 80 Stereo Decoder** Size - 47 50 20mm (1 7/8 2 3/8 ins)  
One 19 transistor I.C.  
Channel separation greater than 30dB  
Power requirements - 25V  
Output 150mV per channel RRP (add 74p V.A.T.) **£7.45**

**Active Filter Unit** Separate controls on each channel Size - 108 40 20mm (4 1/4 2 3/8 ins)  
Voltage gain - minus 0.2dB  
Frequency response - 40Hz to 22KHz controls minimum  
Distortion - at 1KHz - 0.03% using 1.30V supply  
H.F. cut off (scratch) 22KHz to 5.5KHz 12dB/oct slope  
L.F. cut off (rumble) 28dB at 20Hz 9dB/oct slope RRP (add 69p V.A.T.) **£6.95**

**Z.40 Power Amplifier** Size - 55 80 20mm (2 1/8 3 1/8 2 3/8 ins)  
9 transistors  
Input sensitivity - 100mV  
Output 18 watts RMS continuous into 4 Ohm (35V)  
Frequency response - 30Hz 100KHz  
3dB S/N ratio - 64dB  
Distortion - at 10 watts into 8 Ohm less than 0.1%  
Power requirements - 12 to 35 volts built in protection against overload RRP (add 54p V.A.T.) **£5.40**

**Z.60 Power Amplifier** Size - 55 98 15mm (2 1/8 3 7/8 2 3/8 ins)  
17 transistors  
Input sensitivity - 100 250mV  
Output 25 watts RMS continuous into 8 Ohm (50V)  
Distortion - typically 0.03%  
Frequency response - 15Hz to more than 200KHz  
3dB S/N ratio - better than 70dB  
Built in protection against short circuit overload and short circuiting  
Load impedance 4 Ohm min safe on open circuit RRP (add 69p V.A.T.) **£6.95**

**Power Supply Units PZ.8** Stabilised Re-entrant current limiting makes damage from overload or even direct shorting impossible  
Normal working voltage (adjustable) 50V RRP £7.98 79p V.A.T.  
Without mains transformer PZ.6 35V stabilised RRP £7.98 79p V.A.T.  
PZ.5 30V un-stabilised RRP £4.98 49p V.A.T.

### Guarantee

If within 3 months of purchasing any product direct from us, you are dissatisfied with it your money will be refunded on production of receipt of payment. Many Sinclair appointed stockists also offer this guarantee. Should any defect arise in normal use, we will service it without charge.

**sinclair**

Sinclair Radionics Ltd  
London Rd. St Ives  
Huntingdon PE17 4HJ  
Telephone

www.americanradiohistory.com

To Sinclair Radionics Ltd, St. Ives Huntingdon PE17 4HJ

Please send post paid \_\_\_\_\_

for which I enclose Cash/Cheque for £ \_\_\_\_\_ including V.A.T. \_\_\_\_\_

Name \_\_\_\_\_

Address \_\_\_\_\_



FOR QUALITY COMPONENTS

**MOTOROLA**

		each
F.M. Multiplex Stereo Decoder	MC1310P	2.93
Four Channel SQ Decoder	MC1312P	2.24
O P Power Transistor	2N3055	0.65
O P Power Transistor	MJE3055	0.68

**SIGNETICS**

I/C Timer	NE555V	0.80
Dual I/C Timer	NE556A	1.40
High Phased Locked Loop	NE560B	4.20
High Phased Locked Loop with AM Demod	NE561B	4.20
High Phased Locked Loop with Open VCO	NE562B	4.20
Precision Phased Locked Loop	NE565A	2.90
Function Generator	NE566V	1.55
Tone Decoder	NE567V	2.90

**G.I.M.**

Eight Digit Calculator Chip	C500	11.00
Eight Digit Calculator Chip	C550	9.50
3½ Decade DVM Chip	AY-5-3510	6.40
Decade Counter, Latch, Driver	AY-5-4007D	8.35

**ORGAN CIRCUITS**

7 Stage Generator	AY-1-0212	5.55
7 Stage Divider	AY-1-5050	2.35
4 Stage Divider	AY-1-5051	1.20
5 Stage Divider	AY-1-6721/5	1.30
6 Stage Divider	AY-1-6721/6	1.45

**STATIC SHIFT REGISTERS**

Static Shift Register	SL-6-2064	2.90
Static Shift Register	SL6. 4032	4.00
Static Shift Register	SL5. 2128	3.45
Static Shift Register	SL7. 2128	3.80
Static Shift Register	SL7. 4056	3.45
Static Shift Register	SS6. 8211	3.30
Static Shift Register	SS6. 8212	2.15

**FERRANTI**

Radio Receiver	ZN414	1.20
----------------	-------	------

**ELECTRONIC CALCULATOR**

Details of the Offer:  
 1—eight-digit calculator i.c. (General Instrument Microelectronics, Type C500), plus  
 8—seven-segment i.e.d. alpha-numeric displays (Monsanto, Type MAN3).  
 Data sheets are supplied.  
 Price for the "package" offer: £14.00 plus 10% V.A.T.  
 Data information supplied with each device.  
 Write for free catalogue of our large stocks of Ferranti, Motorola, G.I., Monsanto, Mullard, Signetics and R.C.A. components.  
 On total of order add 20p Postage and Packing plus 10% V.A.T. on total of order.  
**S.C.S., P.O. Box No. 26, (Dept. PW), Wembley, Middlesex HA0 1SD, England**

**SOLARTRON** Precision Laboratory Oscilloscope type CD643. DC-15 MHz, 5" flat face-tube. £45 each. Carr. £1.50.

**12" LONG PERSISTENCE CRT.** Full spec. Price £7.50 to include V.A.T. and Carriage.

**MAKE YOUR SINGLE BEAM SCOPE INTO A DOUBLE WITH OUR NEW LOW PRICED SOLID STATE SWITCH.** 2 Hz to 8 MHz. Hook up a 9 volt battery and connect to your scope and have two traces for ONLY £5.50, P. & P. 25p. (Not cased, not calibrated.)

**NEW WIDE RANGE WOBBULATOR.** 5 MHz to 150 MHz up to 15 MHz sweep width. Only 3 controls, preset RF level, sweep width and frequency. Ideal for 10-7 or TV IF alignment, filters, receivers. Can be used with any general purpose scope. Full instructions supplied. Connect 8 3V A.C. and use within minutes of receiving. All this for ONLY £5.75, P. & P. 25p. (Not cased, not calibrated.)

**20 Hz to 200 kHz WB. SINE and SQUARE GENERATOR.** Four ranges. Independent amplitude controls, thermistor stabilised. Ready to use, 9V supply required. £7.85 each, P. & P. 25p. (Not cased, not calibrated.)

**GRATICULES.** 12cm x 14cm high quality plastic 15p each, P. & P. 5p. £1 worth of 'UFS'. Six Brand New capacitors all between 15V and 100V. Total capacitance not less than 7,000pfd. P & P 45p.

Large quantity of good quality components — **NO PASSING TRADE** — so we offer 3lbs of **ELECTRONIC GOODIES** for £1.50, Post paid.

Open 9 a.m. to 6.30 p.m. any day.  
 PLEASE ADD 8% V.A.T.

**CHILTMead LTD**

7,9 ARTHUR ROAD, READING, BERKS.  
 (rear Tech. College) Tel.: Reading 582605/65916

**ROTARY SWITCH PACK—6** brand new switches (1 ceramic; 2 off 4pole 2 way etc.). 50p P & P.

**COMPONENT PACK** consisting of 5 pots, various, brand new; 250 resistors ½ and ¼ watt, many high stabs, etc. Fine value at 50p, P. & P. 27p.

**P.C.B. PACKS S & D.** Quantity 2 sq ft—no tiny pieces. 50p plus P. & P. 20p.

**FIBRE GLASS** as above £1 plus P. & P. 20p.

**5 CRYSTALS** 70 to 90kHz. Our choice. 25p, P. & P. 15p.

**METERS** by SIFAM type M42. 25-0-25 micro amp. Scaled 25-0-25 green; 250-0-250 red. Linear. As new £3.50 each, P. & P. 37p.

**CAPACITOR PACK—50** Brand new components, only 50p, P. & P. 20p.

**POTS—10** different values. Brand new. 50p, P. & P. 20p.

**TRIMMER PACK.** 2 Twin 50/200pF ceramic 2 Twin 10/60pF ceramic; 2 min. strip with 4 preset 5/20pF on each; 3 air spaced preset 30/100pF on ceramic base. ALL BRAND NEW. 25p the lot P. & P. 10p.

**C.R.T. 5" type CV1385/ACR13.** Brand new with spec sheet. 63p each, P. & P. 45p. Bases for above 20p each, P. & P. 15p.

**LIGHT EMITTING DIODES (Red)** from Hewlett-Packard. Brand New. 38p each. Holder 1p each. Information 5p.

**PHOTOCELL** eqv. OCP71, 13p each. MULLARD OCP70—10p each.

**CRYSTALS.** Brand New. 4.43 MHz £1.25 ea. P. & P. 10p.

**MODERN TELEPHONES** type 708. Two-tone grey, £3.75 each. Two-tone green £3.75 each. Black £3.75 each. P & P 25p ea.

Ideal **EXTENSION TELEPHONES** with standard GPO type dial, bell and lead coding. £1.75 each P. & P. 25p.

**DELIVERED TO YOUR DOOR** 1 cwt of Electronic Scrap chassis, boards, etc. No Rubbish. FOR ONLY £3.50.

**YOUR CAREER in RADIO & ELECTRONICS ?**

Big opportunities and big money await the qualified man in every field of Electronics today—both in the U.K. and throughout the world. We offer the finest home study training for all subjects in radio, television, etc., especially for the **CITY & GUILDS EXAMS** (Technicians' Certificates); the Grad. Brit. I.E.R. Exam.; the **RADIO AMATEUR'S LICENCE**; P.M.G. Certificates; the R.T.E.B. Servicing Certificates; etc. Also courses in Television; Transistors; Radar; Computers; Servo-mechanisms; Mathematics and Practical Transistor Radio course with equipment. We have **OVER 20 YEARS'** experience in teaching radio subjects and an unbroken record of exam. successes. We are the only privately run British home study College specialising in electronics subjects only. Fullest details will be gladly sent without any obligation.

To: British National Radio & Electronics School, P.O. Box 156, Jersey, C.I.

Please send FREE BROCHURE to

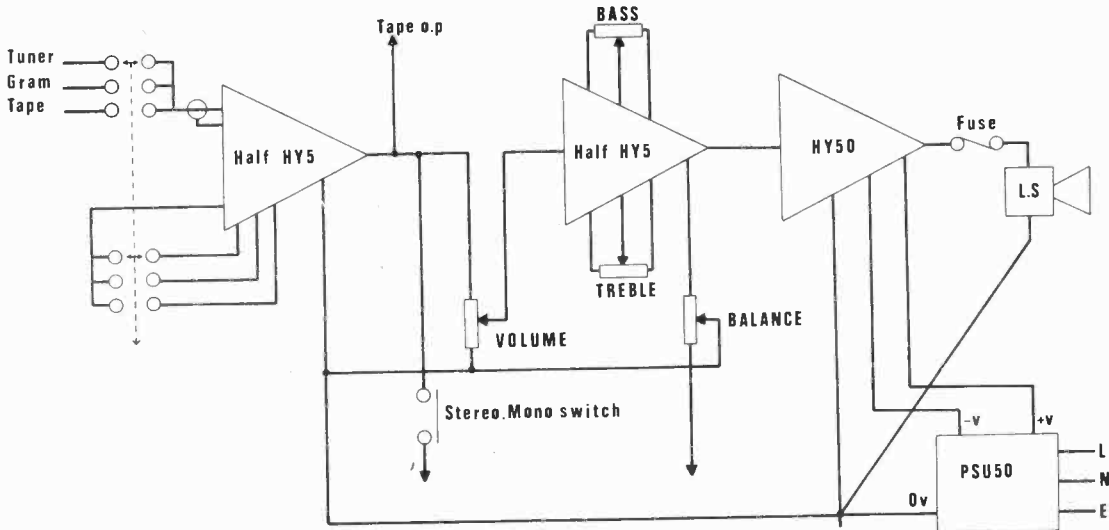
NAME ..... Block  
 ADDRESS ..... Caps.  
 ..... Please  
 ..... W.C. 94

**BRITISH NATIONAL RADIO AND ELECTRONICS SCHOOL**

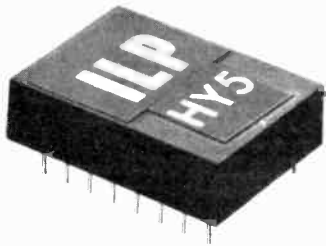


I.L.P. (Electronics) Ltd

# SHEER SIMPLICITY!



MONO ELECTRICAL CIRCUIT DIAGRAM WITH INTERCONNECTIONS FOR STEREO SHOWN



The HY5 is a complete mono hybrid preamplifier, ideally suited for both mono and stereo applications. Internally the device consists of two high quality amplifiers—the first contains frequency equalisation and gain correction, while the second caters for tone control and balance.

#### TECHNICAL SPECIFICATION

Inputs: Magnetic Pick-up 3mV RIAA; Ceramic Pick-up 30mV; Microphone 10mV; Tuner 100mV; Auxiliary 3-100mV. Input impedance 47k $\Omega$  at 1kHz. Outputs: Tape 100mV; Main output 0db (0.775V RMS). Active Tone Controls: Treble = 12db at 10kHz; Bass = 12db at 100Hz; Distortion: 0.5% at 1kHz; Signal/Noise Ratio: 68db; Overload Capability: 40db on most sensitive input. Supply Voltage:  $\pm$  16-25V.

**PRICE £4.50**

- 45p VAT  
P. & P. free



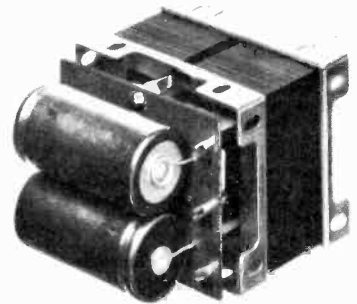
The HY50 is a complete solid state hybrid Hi-Fi amplifier incorporating its own high conductivity heatsink hermetically sealed in black epoxy resin. Only five connections are provided: input, output, power lines and earth.

#### TECHNICAL SPECIFICATION

Output Power: 25W RMS into 8k $\Omega$ ; Load Impedance: 4-16k $\Omega$ ; Input Sensitivity 0db (0.775V RMS); Input Impedance: 47k $\Omega$ ; Distortion: Less than 0.1% at 25W; typically 0.05%; Signal/Noise Ratio: Better than 75db; Frequency Response: 10Hz-50kHz  $\pm$  3db; Supply Voltage:  $\pm$  25V; Size: 105 x 50 x 25mm.

**PRICE £5.98**

- 59p VAT  
P. & P. free



The PSU50 can be used for either mono or stereo systems.

#### TECHNICAL SPECIFICATIONS

Output voltage: 25V; Input voltage: 210-240V; Size: L 70, D 90, H 60mm.

**PRICE £5**

- 50p VAT  
P. & P. free

## TWO YEARS' GUARANTEE ON ALL OUR PRODUCTS

CROSSLAND HOUSE · NACKINGTON · CANTERBURY · KENT

CANTERBURY (0227) 63218

# R T V C

## FOR AUDIO ON A BUDGET

### PUSH BUTTON CAR RADIO KIT



#### The Tourist II

**NO SOLDERING REQUIRED!**

#### NOW BUILD YOUR OWN PUSH BUTTON CAR RADIO

Easy to assemble construction kit comprising fully completed and tested printed circuit board on which no soldering is required. All connections are simple push fit type making for easy assembly. Fine tuning push button mechanism is fully built and tested to mate with printed circuit board.

Technical specification:

- (1) **Output** 4 watts R.M.S. output. For 12 volt operation on negative or positive earth.
- (2) **Integrated circuit** output stage, pre-built three stage IF Module.

Controls volume manual tuning and five push buttons for station selection, illuminated tuning scale covering full, medium and long wave bands.

Size chassis 7" wide, 2" high and 4 $\frac{5}{16}$ " deep approx

**Car Radio Kit £7.70 + 55p. postage & packing**

**Speaker** including baffle and fixing strip **£1.65+23p. p&p.**

**Car Aerial** Recommended — fully retractable and locking

**£1.37+20p. postage & packing**

**Tourist Mk.1** kit still available—price **£6.60 + 55p. p & p.**

See July issue for full specification

### STEREO 21



### QUALITY SOUND<sup>(\*\*)</sup> FOR LESS THAN £19.00

Stereo 21 easy to assemble audio system kit, — no soldering required. Includes:—

**BSR 3 speed deck**, automatic, manual facilities together with ceramic cartridge.

**Two speakers** with cabinets.

**Amplifier module**. Ready built with control panel, speaker leads and full, easy to follow assembly instructions.

For the technically minded:—

**Specifications:**

Input sensitivity 600mV; Aux. input sensitivity 120mV; Power output 2.7 watts per channel; Output impedance 8–15 ohms.

Stereo headphone socket with automatic speaker cutout.

Provision for auxiliary inputs — radio, tape, etc., and outputs for taping discs. **Overall Dimensions.** Speakers approx.

15 $\frac{1}{2}$ " x 8" x 4". Complete deck and cover in closed position

approx. 15 $\frac{1}{2}$ " x 12" x 6". Complete only **£18.95**

**Extras if required.**

Optional Diamond Stylus **£1.37** + **£1.60 p & p.**

Specially selected pair of stereo headphones with individual level controls and padded earpieces to give optimum

performance. **£3.85.**



### DISCO AMPLIFIER

Reliant Mk IV Mono Amplifier, ideal for the small disco or house parties.

**Outputs** 20 watts R.M.S. into 8 ohms (suitable for 15 ohms).

**Inputs** \* 4 Electrically Mixed Inputs \* 3 Individual Mixing controls. \* Separate bass and treble controls common to all 4 inputs

\* Mixer employing F.E.T. (Field Effect Transistors). \* Solid State Circuitry. \* Attractive Styling.

**INPUT SENSITIVITIES**

—Input—1.) Crystal mic. guitar or moving coil mic. 2. and 10 mV. (selector switch for desired sensitivity.—Inputs—2). 3). 4. Medium output

equipment—ceramic cartridge, tuner, tape recorder, organs etc.

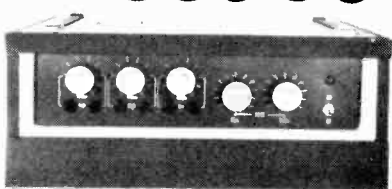
— all 250mV sensitivity.

AC Mains 240V. operation.

Size approx. 12 $\frac{1}{2}$  ins x 6 ins x 3 $\frac{1}{2}$  ins

**£15.00 + 60p. post & pack**

### DISCO 50



#### 45 WATT R.M.S. MONO DISCOTHEQUE AMPLIFIER

Ideal for Disco Work. Output Power: 45 watts R.M.S. Frequency Response 3dB points 30Hz and 18KHz. Total Distortion: less than 2% at rated output. Signal to noise ratio: better than 60dB. Bass Control Range: 13dB at 60Hz. Treble Control Range: 12dB at 10KHz. Inputs: 4 inputs at 5mV into 470K. Each pair of inputs controlled by separate volume control. 2 inputs at 200mV into 470K. Size: 19 $\frac{1}{4}$  x 10 $\frac{1}{2}$  x 8ins. approx

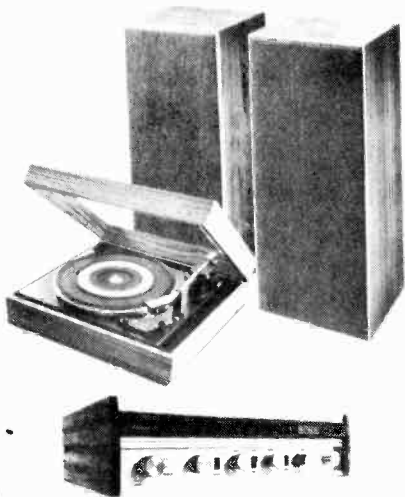
Amplifier **£27.50 + £1.50 p. & p.**

**Special Offer:** Disco 50 plus two 15" E.M.I. speakers type 14A/780

(as illustrated on opposite page). **Complete £57.00 + £4.00 p&p.**



# COMPLETE (\*) STEREO SYSTEM



**£51.00**

**40 Watt Amplifier.**  
Viscount III - R102 now 20 watts per channel.  
System I includes:  
Viscount III amplifier - volume, bass, treble and balance controls, plus switches for mono/stereo on/off function and bass and treble filters. Plus headphone socket.

**Specification**  
20 watts per channel into 8 ohms.  
Total distortion @ 10W @ 1kHz 0.1%. P.U.1 (for ceramic cartridges) 150mV into 3 Meg. P.U.2 (for magnetic cartridges) 4mV @ 1kHz into 47K. equalised within 1dB R.I.A.A. Radio 150mV into 220K. (Sensitivities given at full power).  
Tape out facilities: headphone socket, power out 250mW per channel. *Tone controls and filter characteristics.* Bass: +12dB to -17dB @ 60Hz. Bass filter: 6dB per octave cut. Treble control: treble +12dB to -12dB @ 15kHz. Treble filter: 12dB per octave. *Signal to noise ratio:* (all controls at max.) -58dB.  
Crosstalk better than 35dB on all inputs.  
Overload characteristics better than 26dB on all inputs. Size approx. 13 1/2" x 9" x 3 1/2"  
**Garrard SP25 deck**, with magnetic cartridge, de luxe plinth and hinged cover.  
**Two Duo Type II matched speakers** - Enclosure size approx. 17 1/2" x 10 1/4" x 6" in simulated teak. Drive unit 13" x 8" with parasitic tweeter. 10 watts handling

**Complete System £51.00**

**£69.00**

**System II**  
Viscount III amplifier, (As System I)  
**Garrard SP. 25** (As System I)  
**Two Duo Type IIIA matched speakers** - Enclosure size approx. 31" x 13" x 11 1/2". Finished in teak veneer. Drive units approx. 13 1/2" x 8 1/2" with 3 1/2" HF speaker. Max. power 20 watts, 8 ohms. Freq. range 20Hz to 20kHz.

**Complete System £69.00**

**PRICES: SYSTEM 1**  
Viscount III R102 amplifier £24.20 + £1 p & p  
2 Duo Type II speakers £14.00 + £2.20 p & p  
Garrard SP25 with MAG. cartridge de luxe plinth and hinged cover \* £21.00 + £1.75 p & p.  
total £59.20

Available complete for only **£51.00 + £3.50 p. & p.**

**PRICES: SYSTEM 2**  
Viscount R102 amplifier £24.20 + £1.00 p. & p  
2 Duo Type IIIA speakers £39.00 + £4.00 p. & p  
Garrard SP25 with MAG cartridge de luxe plinth and hinged cover £21.00 + £1.75 p. & p.  
total £84.20

Available complete for only **£69.00 + £4 p. & p.**

# EMI SPEAKERS AT FANTASTIC REDUCTIONS

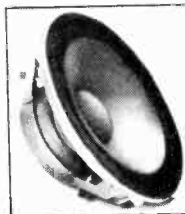


## 20 WATT SPEAKER SYSTEM

System consists of a 13" x 8" (approx) elliptical woofer unit with a 8" x 5" (approx.) mid range unit incorporating parasitic tweeter and crossover components.

**Technical Specification:**  
Bass Unit  
Flux density - 100 K, speech coil - 1 1/2", Cone, Triple laminated paper with P.V.C. surround.  
Mid Range Unit  
Flux density - 33K, speech coil - 1" with parasitic tweeter.  
Power Handling  
20 watts R.M.S., impedance - 8 ohms, frequency response - 20 Hz to 18,000 Hz.

**OUR PRICE £6.60. Complete + 90p p & p.**



## 15" 14A/780 BASS UNIT

Bass unit on a rigid diecast chassis. Superior cone material handles up to 50 watts RMS, and is treated to give a smooth frequency response. Resonance 30 Hz. Flux density 360,000 Maxwells. Impedance at 1 kHz is 8 ohms. 3" voice coil.

Recommended retail price £40.80.

**OUR PRICE £18.70 + £1.50 p & p + £1.50 p & p Special Offer.**



## 950 KIT

Five matched speakers and crossover unit for handling up to 45 watts, frequency response from 20 to 20,000 Hz. Huge 19" x 14" (approx.) high efficiency Bass-Speaker with 16,500-gauss magnet built on a heavy diecast frame.

The four 10,000 gauss tweeters, each 3 1/2" dia. approx., are fed by the crossover which critically adjusts signal for maximum fidelity. Impedance at 1 kHz is 8 ohms. Bass coil 2", others 0.5". Recommended list price £44.00.

**OUR PRICE £19.50**



## BUILD YOUR OWN STEREO AMPLIFIER (\*)

For the man who wants to design his own stereo - here's your chance to start, with Unisound - pre-amp, power amplifier and control panel. No soldering - just simply screw together. 4 watts per channel into 8 ohms. Inputs: 120mV (for ceramic cartridge). The heart of Unisound is high efficiency I.C. monolithic power chips which ensure very low distortion over the audio spectrum. 240V. AC only.

**£7.64 + 55p. p & p**



## 8 TRACK CARTRIDGE PLAYER (\*)

Elegant self selector push button player for use with your stereo system. Compatible with Viscount III system, Unisound module and the Stereo 21.

Technical specification Mains input, 240V. Output sensitivity 125mV. Comparable unit sold elsewhere at £24.00 approx.

**Yours for only £10.95 + 90p. p & p**



Just write your order giving your credit card-number  
**DO NOT SEND YOUR CARD**

- Mail orders to Acton. Terms C.W.O. All enquires Stamped Addressed Envelope. Goods not despatched outside U.K.
- Leaflets available for all items listed thus (\*) Send stamped addressed envelope.

**R T V C**

Radio and TV Components (Acton) Ltd.

21 High Street, Acton, London W3 6NG /c  
323 Edgware Road, London W2

Personal Shoppers Edgware Road: 9a.m.-5.30p.m. Half day Thurs.  
Acton: 9.30 a.m.-5 p.m. Closed all day Wed.

# PROGRESS

**F**OR many years, radio has perhaps been taken for granted, probably because it has long been accepted as a part of our way of life. From time to time history is dug up and given an airing. For those of us who were born before the Second World War, radio was an important medium of home entertainment, a means of communication, or a mysterious status symbol that required the owner to visit the local electrical shop to have the batteries topped up.

When television gained a foothold, radio was soon relegated to a position of "seen but not heard", tucked away in a corner and almost forgotten. But for the new "cult" of high fidelity sound in the fifties and sixties, radio could conceivably have finished entirely in the hands of groups of enthusiasts, just as the steam trains were so destined. It was largely the efforts of a few that were ultimately to persuade the broadcasting authorities and commercial enterprise of the future of local radio.

Now the "few", or indeed, all of us, can help to steer the future of broadcasting. The Government Committee of Enquiry into the future of Broadcasting, headed by Lord Annan, is openly inviting anyone, individually or collectively, to express their considered views on radio and television broadcasting in the U.K.

Letters or details of evidence can be sent to the committee at the Home Office, Waterloo Bridge House, Waterloo Road, London SE1 8UA. Almost any aspect of the technical or programme side will be covered and suggestions for the 1980s will be very welcome.

If we all accepted radio with unfair complacency the standards would not be as good as they are today. Unfortunately, being utterly human by nature, we are never entirely satisfied and we are still looking for improvements. At the top of our list are (not in any special order) for v.h.f./f.m.—the so-called "interference free" medium—to ban entirely all non-broadcasting users from the 87.5 to 100MHz range; to "shoot" the "birdies"; to slant polarise all local radio transmitter aerials. For a.m.—to re-allocate medium wave broadcast stations and to limit further the radiating power when close to local stations; to de-congest the 180 to 300 metre band. For broadcasting authorities we would like to see more energy put into the promotion of stereo and quadrasonic sound broadcasting at a signal level at least 10dB higher than it is now.

Finally, we think it high time that radio and television departments got together in producing composite television programmes with stereophonic sound.

It is probably easier said than done, but we will always look for improvements in home entertainments media. We are sure you will join us, even if it does seem to take a long time for progress to materialise to the full.

M. A. COLWELL—Editor

**The October issue of Practical Wireless will have added to it the first part of the P.W. Buyers' Guide which no reader can afford to miss. The next project in the P.W. Super Separates series is a high quality f.m. tuner; also included will be an audio mixer and an article on the East European and Russian f.m. broadcast stations, specially for the D.X. enthusiast. Look for news of the "P.W. Kempton" project coming soon.**

**Further details on page 423.**

(All advanced details are subject to the current industrial situation)

# NEWS...

## 40 years of tape

**A**UGUST 1974 marks the fortieth anniversary of the birth of the first magnetic recording tape. It was produced in Germany, but the London Philharmonic Orchestra gave the world the first real taste of the potential of this new medium.

In August 1934, the German chemical company BASF delivered 50,000 metres of the newly developed tape. It was made of plastic and coated with iron particles, and opened up a whole new field of communication. A year later it was shown, now coated with the superior iron oxide, at the 1935 Berlin Radio Exhibition with the new AEG K3 'Magnetophon' recorder.

It was not until 1936, however, that the world first began to appreciate the implication of electromagnetic recording. Sir Thomas Beecham and the London Philharmonic Orchestra made a special trip to Ludwigshafen in West Germany to make the first public recording of music on magnetic tape.

## Biggest in Europe

**H**IGH FIDELITY 1974, claimed by its organisers to be the biggest Hi-Fi exhibition in Europe, will be held in Milan from 5th-9th September.

A total of 240 brand-names from 14 countries will be on show at the exhibition.

## Torbay transmitter

**R**ADIO 1 listeners in the Torbay area should now tune to 202 metres (1484kHz), instead of 247 metres (1214kHz). A new transmitter at Torquay started a full programme service on 25 July.

The new transmitter serves about 120,000 people in the area extending from Teignmouth to Brixham and inland to Newton Abbot and Totnes. At night the service area will be reduced because of interference but listeners are reminded that, at certain times, Radio 1 programmes are broadcast on v.h.f. from North Hessary Tor on 88.1MHz.

## Enquiry into Broadcasting

**T**HE Committee of Inquiry into the Future of Broadcasting, under the Chairmanship of Lord Annan is now meeting to receive and consider evidence on broadcast radio and television in the U.K.

The Committee's terms of reference are: "To consider the future of the broadcasting services in the United Kingdom, including the dissemination by wire of broadcast and other programmes and of television for public showing; to consider the implications for present or any recommended additional services of new techniques; and to propose what constitutional, organisational and financial arrangements and what conditions should apply to the conduct of all these services."

It is expected that the Committee will take about two and a half years to report and that a similar period of time will be needed for consultation on the Committee's recommendations and for any legislation that may be necessary.

To allow the necessary time for the Committee to complete its task and for consideration of its proposals the Government have introduced a Bill to extend the Independent Broadcasting Authority Act 1973 to July 1979: it would otherwise expire in July 1976. The Charter of the BBC will be extended for a similar period.

After the first meeting of the Committee on the Future of Broadcasting, the Chairman, Lord Annan, said, "The Government has asked us to make recommendations about the broadcasting services in the 1980's. Before we do this, we shall have to review the services which have been provided in the last ten years. Committees of Inquiry are one of the ways in which broadcasters are made accountable to the public.

"We all know that we've taken on an enormous task. It's also an important task. Most people watch television or listen to radio. People say that broadcasting has a greater influence than any other medium today. That is why there are such frequent inquiries into a public service which is in almost everyone's home and is of such social significance.

"We are bound to receive evidence from many organisations and individuals with an interest in broadcasting. But in the first instance, we want viewers and listeners to write to us to let us know what they think of the present services. We want them to tell us what they like and what they dislike and—if they care to—why. A Committee of this kind really will give all viewers and listeners an opportunity to in-

fluence the kind of radio and television they will have in the future. The Committee hope many viewers and listeners of all outlooks and ages will take this opportunity and will write to us so we know their views".

(See leader article "PROGRESS.")

## VAT - New Rate

**A**S a result of the new rate of VAT at 8% as from 29th July, readers purchasing goods are advised to check that they pay the correct rate.

Advertisers' announcements and prices quoted in this issue were prepared before the revised rate was announced. Where VAT is quoted as extra add 8% of the price. Where VAT is quoted as inclusive under the old 10% rate, deduct 1/55 from the total inclusive price. For future reference, where an inclusive price is quoted at the new rate of 8%, the VAT can be calculated by dividing the inclusive price by 13<sup>1</sup>/<sub>2</sub>.

The new rate applies to all goods and services that are taxable.

## PUBLISHER'S ANNOUNCEMENT

Due to production difficulties existing at the time this issue went to press, we strongly advise readers to check with advertisers the prices shown, and availability of goods, before purchasing

## BSR boost

**B**SR Limited have decided to extend their working day in order to step-up production to meet the increasing demand for their record changers, both at home and abroad. The Company has four factories in the United Kingdom, three of which are in the Midlands, at Cradley Heath and Stourbridge, and one at East Kilbride, Scotland.

With the full co-operation of the workforce and the Union, extra hours are being worked at each factory with the net result that overall production has increased considerably. At the end of the first week since the new working hours have been in operation, total output was up-lifted by 10 per cent.

## Doram Electronics

**D**ORAM is an associate company of RS Components Ltd and hopes to provide a "return-of-post" mail order service for components, kits and electronic accessories.

The whole range will be shown in a 64-page catalogue priced at 25p. The firm say full details of each product will be given including some circuits, operating parameters and dimensional diagrams.

Doram will have a stand at the Amateur Radio Trades Exhibition at Granby Hall, Leicester from October 31 to November 2.

Further gen and catalogues (post free) from: Frank Chable, Doram Electronics Ltd., P.O. Box TR 8, Wellington Road Industrial Estate, Leeds LS12 2UF (Tel: Leeds (0532) 34222).

## Radiomobile guide

**R**ADIOMOBILE Ltd. have once again co-sponsored the British Airways book 'Golf in the Sun'. This 1974 guide to over 200 golf courses in 26 countries from Iceland to Morocco provides colour photos, maps and plans showing the layout of many of the courses.

Radiomobile will make the book available to its dealer network for promotional activities and as a customer service.

# audio

# SQUELCH

# UNIT

R. A. PENFOLD

**P**ROBABLY the area in which squelch systems are most used is in mobile radio telephone equipment. The circuit mutes the audio stages of the receiver when no carrier is being received, but permits normal operation in the presence of a carrier. The reason for adding a squelch system is that without it, when no signal is being received, a strong signal consisting of just random noise is reproduced by the speaker.

Squelch systems are not only used in radio communication systems but in any system where a similar problem exists. For instance, it can be used in an intercom system in a noisy office or factory building, in public address equipment or any similar equipment where there is likely to be an annoyingly high background noise level.

In a system such as this, the squelch circuit is activated by the audio signal level. It would be adjusted so that the normal background noise level would be inadequate to operate the squelch circuit and one of the stages of the main equipment would be muted in this condition. The signal level during normal use would be higher than the background level and the circuit would be adjusted so that this normal operating level would operate the squelch circuit and allow the controlled audio stage to function normally.

## Practical Circuit

A simple squelch circuit has been developed based on the RCA CA3046 IC, an internal circuit of which is shown in Fig. 1. The circuit of the full squelch system is given in Fig. 2. The CA3046 is a very simple IC, containing five transistors, three have their leadouts taken to separate pins and two share a common emitter connection. In Fig. 1 the transistors have been numbered to aid the circuit description. The IC is contained in a standard DIL 14 pin encapsulation.

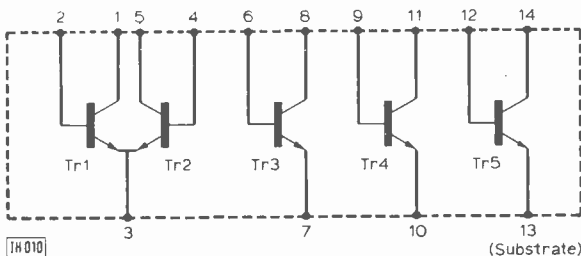
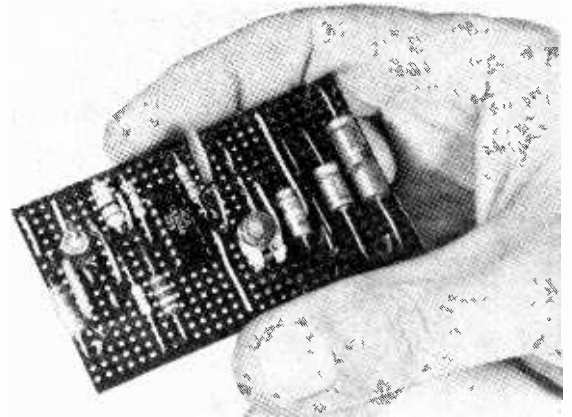


Fig. 1: Diagram of pin connections to the five transistors contained in the CA3046 integrated circuit.

Tr1 and Tr2 are used as emitter followers, with R6 as their emitter load resistor. Tr2 is biased for linear operation by the potential divider R1/2. The input signal is coupled to the base of Tr2 via C2 and the output taken from its emitter via C6.

Tr5 is operated as a common emitter amplifier, having R4 as its collector load resistor. The output of this is direct coupled to the base of Tr1. Tr3 is connected as an emitter follower, with its output direct coupled to the base of Tr5 and is required in order to raise the input impedance of Tr5.



The PCB is quite small, enabling it to be fitted into existing equipment

Part of the input signal is coupled via VR1 and C3 to the base of Tr4. Tr4 is operated as a linear amplifier in the common emitter mode with biasing resistor R3 and collector load resistor R5. The output of this stage is coupled to a voltage doubler circuit, D1-D2-C7, via C5, and the smoothed rectified DC appears across C7. This bias voltage is proportional to the input signal level and is direct coupled to the base of emitter follower Tr3.

VR1 is adjusted so that the background signal level produces a potential across C7 of about 1V or less. The transistors are silicon types and about 1.2V is needed at the base of Tr3 before both it and Tr5 will begin to conduct. Therefore these will both be cut off.

Tr1 is therefore biased hard on by R4 which is in its base circuit and, in consequence, almost the full supply potential appears across R6. This in effect cuts Tr2 out of circuit and the signal at its base has no effect on the voltage at its emitter. This stage is therefore muted.



# all about

# FETs

**PART 1**

**T. BAILEY**

**T**HE aim of this article is to give, with a minimum of theory, an account of the way in which field-effect transistors operate and their advantages and disadvantages. It is hoped that after reading this article constructors will understand the FETs in their projects and experimenters will be able to incorporate them into their circuits.

## The FET

Without wishing to get engrossed in history it is interesting to note that the FET was analysed in detail by the famous Professor Shockley in 1952 but remained a "laboratory-object" for some time until the necessary technology for commercial production arrived.

As far as construction is concerned there are two types of FET, each of which may be made, like ordinary bipolar transistors, with two distinct polarities. The simplest and still the most common form is the junction-gate type, abbreviated to JFET and JUGFET. Reference to Fig. 1 shows that two of the terminals, the source and the drain, are connected within the FET by an n-type semiconductor layer.

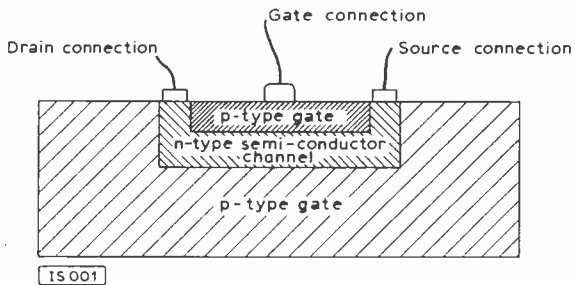


Fig. 1: Simplified cross-sectional diagram of an n-channel JFET.

Where this region is narrow and surrounded by p-type semiconductor material it is called the n-channel. The device is hence called an n-channel FET, it could also be made with a p-type channel and an n-type surround when it would be known as a p-channel device. It would operate in the same

way as will be described for n-channel devices but with opposite supply voltage polarity.

Supposing now that a positive voltage is applied to the drain with respect to the source. Negative charge carriers will carry a current from the source to the drain. The region of opposite polarity to the channel that surrounds it is called the gate and we must now consider the effect of applying a voltage to this electrode. In junction FET's the p-n junction which this gate forms is kept reverse biased. This means that in our example of an n-channel FET a negative bias voltage is applied to it, relative to the source.

When a p-n junction is reverse biased a region of the semiconductor material near the interface between the layers becomes devoid of charge carriers. The size of this depletion zone, as it is known, depends on the magnitude of the reverse voltage. In FETs the size of the depletion zone varies with the gate voltage from being negligible when there is no bias voltage at the gate to occupying the whole channel if several volts of reverse bias are applied. The current which will flow in the channel depends on the number of charge carriers present, so as the gate voltage varies the channel current, which is equal to the source and drain currents, varies also. This is how a field-effect transistor amplifies, a varying gate-source voltage causes a varying drain current.

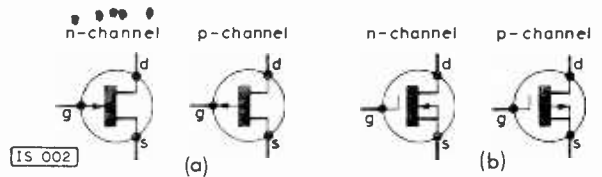


Fig. 2: (a) Symbols for the two types of JFET and (b) symbols for the MOSFET with internally connected sub-strate.

It is very important to notice that as the gate is reverse biased with respect to the channel the amount of current flowing in the gate is minute, like that which flows in an ordinary reverse biased p-n junction. It can easily be as small as a few nanoamps and it is because of this that FETs have exceedingly high input impedances. The conventional symbols for junction-FETs are shown in Fig. 2 (a).

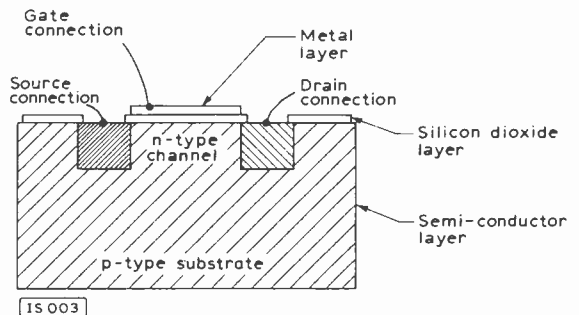


Fig. 3: Construction of an n-channel MOSFET.

## The IGFET

The difference between IGFETs and JFETs is that a layer of insulating material is inserted between the gate and the channel. The most common form of IGFET is with a metal gate connection followed

by a silicon dioxide insulating layer on top of the semiconductor material, see Fig. 3. The device so formed is called a metal oxide semiconductor field-effect transistor or MOSFET. These devices operate in a similar way to JFETs with one major exception, because of the insulating layer the gate-channel junction may be forward biased and no gate current will flow (it is because a gate current of more than a few milli-amps destroys JFETs that their gates may not be forward biased).

It is this which makes it possible to manufacture MOSFETs with two different modes of operation. Firstly there are "normally on" types which need several volts of reverse bias to turn off the current in the channel and which may have characteristics which extend into the forward biased mode. These types are often called "depletion-mode" devices because they rely on depleting a normally conducting channel as opposed to "enhancement-mode" devices which constitute the other category and are "off", that is they have zero drain current when the gate-source voltage is zero. These devices need several volts of forward bias on the gate to cause a drain current to flow. The channel of these devices is normally depleted of carriers and the forward bias draws carriers into the depletion zone. A set of possible characteristics for a JFET and both types of MOSFET are shown in Fig. 4 and the symbols used for a MOSFET are depicted in Fig. 2(b).

that is not internally connected to the source or it may be a second gate in which case the device is a dual gate MOSFET, often used in mixer stages.

## Characteristics

There are not many characteristics that need concern the experimenter as long as he is prepared to adjust the values of resistors after he has completed his circuit. In Fig. 5 an n-channel JFET is shown with its drain connected by a resistor to a positive supply voltage ( $V_{CC}$ ). Its source is earthed and a variable negative bias voltage applied to the gate from VR1. It should be clear that as the slider of VR1 is moved from ground to the negative supply voltage ( $V_{DD}$ ) the drain current will become less and less until, at a voltage known as  $V_P$  it is negligible.

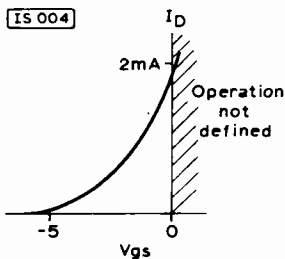
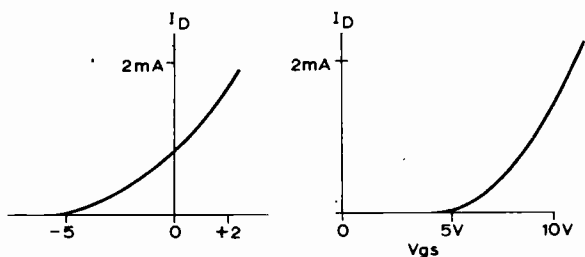


Fig. 4: Possible characteristics of different types of n-channel FETs. Left, JFET. Below left, depletion-mode MOSFET. Below, enhancement-mode MOSFET.



Two points should be made at this stage. Firstly, because of their insulating layer, the input impedance of MOSFETs is even higher than that of junction gate devices. So high is it that static electricity, which may develop to tens of thousands of volts on a human, can damage them. Special precautions must be taken when handling MOSFETs to prevent this happening. Any protective device applied by the manufacturer, such as a shorting ring or conductive foam on the leads, should not be removed until the FET has been soldered in place. The tips of soldering irons should be earthed or the plug removed from the socket just before use. Secondly, many MOSFETs are tetrodes, with four leads. The fourth may be from the substrate if

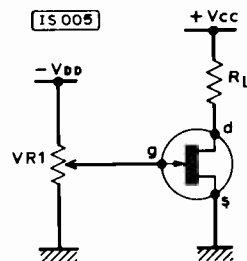


Fig. 5: Arrangement to demonstrate JFET characteristics.

A typical value for  $V_{P(MAX)}$ , that is the greatest value for the reverse bias necessary to produce a negligible drain current, might be 8 volts.  $V_P$  is sometimes referred to as  $V_{GS(off)}$  and the required "negligible" drain current may be 1 or 2 nano-amps. This parameter also applies to MOSFETs but it may be the maximum value of forward bias ensuring the device is off, if the FET is an enhancement type.

The second parameter really only applies to JFETs. It is the drain current which will flow if the gate-source voltage ( $V_{GS}$ ) is zero at some specified drain voltage and temperature. This parameter ( $I_{DSS}$ ) is usually quoted as a maximum and minimum value. A typical form might be  $25^\circ C, V_{DS} = 15V, I_{DSS} = 2mA$  min., 20mA max.

The third parameter applies to all types of FET. If the gate voltage varies by a small amount  $\Delta V_G$  then the drain current will vary by a small amount

$\Delta I_D$ . The ratio  $\frac{\Delta I_D}{\Delta V_G}$  is called the transconductance

or forward transfer admittance (known as  $g_m$  and  $Y_{fs}$  respectively). The units in which transconductance is usually quoted are milli-amps/volt (mmho) or micro-amps/volt ( $\mu mho$ ) and a typical value might be 2000  $\mu mho$  min. 6500  $\mu mho$  max. The value of  $g_m$  varies with  $V_{GS}$ ,  $V_{DS}$  and the frequency of the applied signal. A typical FET might have  $g_m$  quoted for  $V_{DS} = 15V, V_{GS} = 0V, f = 1kHz$  and 1MHz. Transconductance varies with  $V_{GS}$  in such a way that it is at a maximum with a gate-source voltage of zero and gives the device a "square-law" transfer characteristic. It is this which is being referred to when data-sheets talk of "square-law characteristic minimises cross-modulation" and it is a feature of all FETs.

The most important parameters of all, the values quoted for a particular device, should never be exceeded. It must be remembered that FETs are more delicate than bipolar transistors. The easiest

way to destroy a JFET is to let gate current flow. Maximum gate current may be just a few milli-amps and it is worth checking, especially in DC coupled circuits, that even if the stage before or after the FET is faulty that no more than the maximum rating can flow.

It is also wise to keep the supply voltage less than the maximum drain-source voltage by a considerable safety margin. For an FET with a maximum  $V_{DS}$  of 25V it would be best to aim for a supply voltage of less than 15V.

## Circuitry

It is now possible to get down to some practical circuits. The first example, Fig. 6, shows an n-channel JFET as an audio frequency amplifier. The resistor R1 serves to keep the gate at earth potential and the voltage drop across R2 due to the source current provides the reverse bias on the gate-source junction.

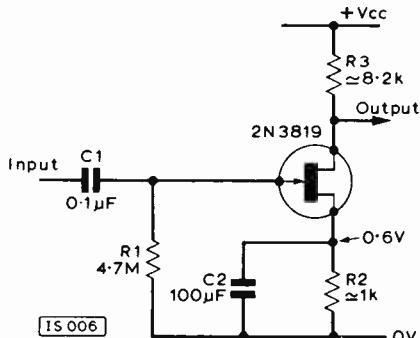


Fig. 6: An n-channel JFET in circuit of a small-signal audio amplifier.

The value of R1 is not at all critical and it would only affect the input impedance if it were varied between 10k $\Omega$  and 10M $\Omega$ . Indeed, if R1 is less than about 5M $\Omega$  then at low frequencies its value may be taken as being the input impedance. However, the same does not apply to R2 and R3. It really is essential because of the great spread which exists in FET characteristics to check, after building a circuit, that the voltages at the source and drain are approximately what they ought to be or, if the correct values are not known, that there is at least a volt or two dropped across the drain load resistor and also a volt or two between the drain and source potentials. This does not apply to RF circuits when an inductance is used for the drain load.

Getting back to the circuit under discussion, the purpose of C1 is to couple the input signal to the gate and because of the high input impedance its value can be considerably less than in corresponding bipolar transistor circuits. A value of 0.2 $\mu$ F would give good performance to below 10Hz in our circuit. As the input impedance is lowered, by making R1 less in value, then a larger coupling capacitor would be necessary. C2 is a decoupling capacitor and without it our circuit would have lower gain but less distortion. It serves the same function as the emitter resistor bypass capacitor in bipolar circuits. The output is developed across the load resistor R3. It is because the source terminal is common to both the input and output circuits that this mode of operation is called "common source" and is the mode which is often used for audio amplification.

To give an example of the problems which can arise, examine the circuit shown in Fig. 7 an input

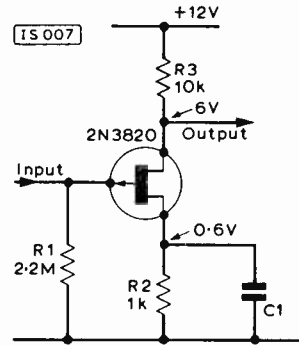


Fig. 7: Input stage of audio amplifier using a p-channel FET.

stage for a small amplifier. A p-channel FET (2N3820) was used in order to make it fit in better with the pnp transistors following it. The designer stated that the drain current should be 600 $\mu$ A and hence the source voltage ought to be 0.6V. This state of affairs can only exist if, for the FET used,  $V_{GS} = 0.6V$ ,  $I_D = 600\mu A$  is on the characteristic curve (see Fig. 4). It was stated that FET parameters are subject to a wide spread, for example  $I_{DSS}$  for the type 2N3820 used is 0.5mA min., 15mA max. and we can assume that  $I_D$  with 0.6V reverse bias is not far removed from these figures. This would mean that to maintain the source voltage at 0.6V R2 might have to be any value between about 2k $\Omega$  and 40 $\Omega$ . This procedure would lead to values of drain current far removed from 600 $\mu$ A and because this value was chosen to make the stage economical and reasonably free from noise it would be good not to change it too much. It is best to keep the drain current between about 300 $\mu$ A and 2mA by letting the source voltage change.

It must be remembered that changing the value of the source resistor R2 means altering the drain resistor R3. Generally the drain voltage should be half-way between the source and supply voltages. Altering the drain resistor will change the stage voltage gain (the gain of this sort of stage with no feedback is equal to the FET's transconductance multiplied by the value of the load resistor or  $G_v = g_m R_L$  and so to alter a circuit in this way means an output of an amplitude different from that expected.

## RF amplifiers

FETs are used in two principal modes at radio frequencies, common gate and common source, which correspond to the common base and common emitter modes of bipolar transistor. Fig. 8 shows a common source amplifier. L2 is tuned to resonance by C1 and the signal is applied to the gate by C2. Resistor R1 is taken to the AGC line to control the gain. If this facility is not required then R1 may be taken to earth or omitted but if this is done then C2 must be removed and the signal applied directly so that L2 keeps the gate at earth potential. Bias is provided by R2 in the same way as for an audio amplifier but because the DC drop across the inductive load L3 is very small, biasing problems should not occur. The source resistor is decoupled by C3 which may be much smaller than at audio frequencies, 0.1 $\mu$ F or less. Output is taken from the transformer L3 and L4 and the stage is decoupled by C4 which earths the supply line.



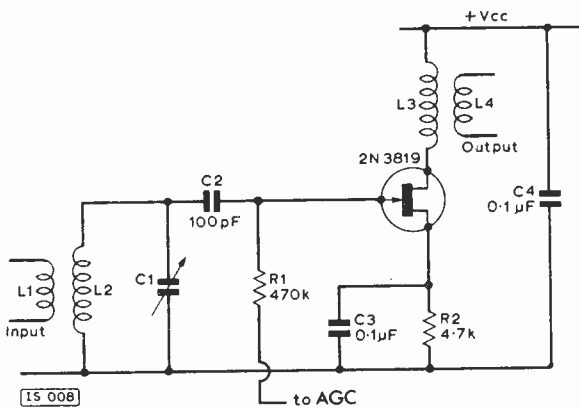


Fig. 8: RF amplifier circuit using an n-channel JFET in common source mode.

A common gate RF stage is shown in Fig. 9 and it can be seen that, with the exception of the fact that the gate resistor is omitted and the gate taken directly to ground, the DC biasing arrangement is the same as that for common source amplifiers. The signal is applied across the source resistor but this is not the only possible method. Fig. 10 is a similar circuit but with the signal applied by a tuned transformer. If this is done then the source resistor should be decoupled by a capacitor, C2.

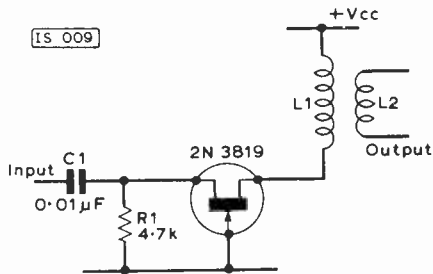


Fig. 9: Common gate RF amplifier.

In either of these variations the stage could be tuned by a parallel capacitor across the primary of the transformer in the drain circuit. It should not be difficult to see how this mode of operation produces amplification providing it is remembered that it is

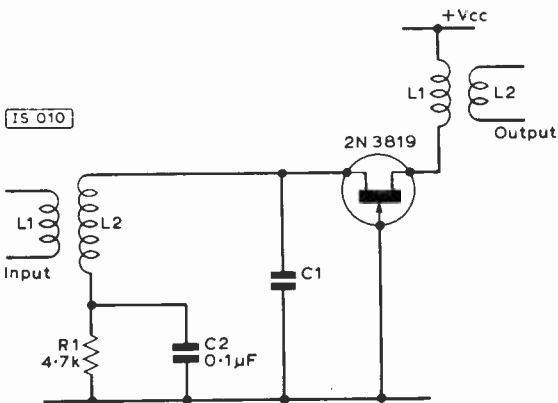


Fig. 10: Similar to Fig. 9 but the input is tuned by L2/C1.

not the gate voltage which decides the drain current but the gate-source voltage. There are two principal ways to alter the gate-source voltage, either the source is kept at a fixed AC potential (ie. earthed) and the gate voltage allowed to vary or the gate voltage is fixed and the signal applied to the source. These alternatives correspond to the common source and common gate modes respectively. The common gate method of operation has the advantage of better performance at very high frequencies and a low input impedance which can be useful, for example, when the input is a coaxial line.

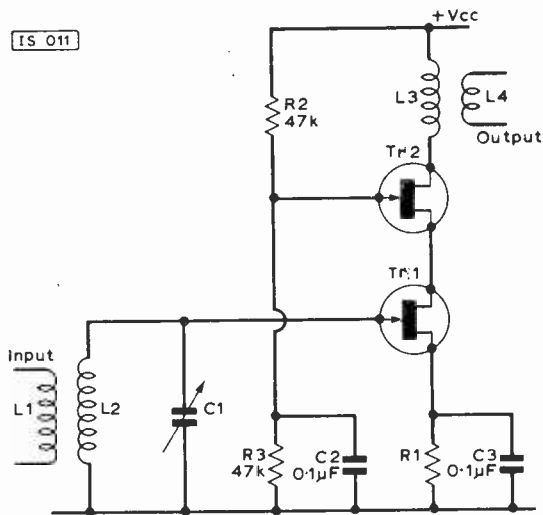



Fig. 11: FETs in a cascode RF amplifier circuit.

An interesting combination of the two modes is shown in Fig. 11, an FET cascode circuit which was popular with valves and is often useful, particularly at VHF, because of the good gain it gives with very little noise. It can be seen to consist of a common source amplifier Tr1 directly coupled to a common gate amplifier Tr2. The DC biasing is made simpler by giving the FETs a common drain current and returning the gate of the grounded gate amplifier to a voltage set by the potential divider R2 and R3, bypassed to ground for AC by C2.

PART 2 NEXT MONTH



**LAST MONTH**  
"P.W. DERBY" STEREO HEADPHONE AMPLIFIER

**THIS MONTH**  
"P.W. EPSOM" SHORT WAVE RECEIVER  
(see page 424)

**NEXT MONTH**  
"P.W. SANDOWN" HIGH QUALITY F.M. STEREO TUNER

**COMING SOON**  
"P.W. KEMPTON" STEREO ...  
(More details next month)

ALL OF THESE PROJECTS ARE UNIQUE TO P.W.

# EXPERIMENTAL WORKSHOP

M. J. HUGHES M.A.

## LEARNING BY PRACTICAL PROJECT STEPS

### PART 11—LOUDSPEAKER DRIVERS

(continued from last month)

An alternative output using a.c. coupling to LS1 is shown in Fig. 76, where the standing current is taken by R6 and a.c. currents are shared between R6 and the loudspeaker (in series with C3). Note that in either of these circuits considerably higher audio output levels are obtained in the loudspeakers.

Obviously the most conventional application for an amplifier is for handling music and in Fig. 77 we show a simple class A output record player amplifier. This is designed to work from a crystal cartridge and the signal levels expected (before distortion sets in) will not cause Tr3 to pass excessive current nor exceed its power limitations. Output into LS1 will be in the order of 70mW and will be found to be ample for a bedroom or playroom record player. Note the high quiescent current!

Different pick-up cartridges have quite different ranges of output signal so it is worth experimenting with the value for R1 until a good compromise between volume and distortion has been reached. Reducing its value will compensate for lower output pick-ups. If you wish to obtain a higher power output then substitute the components of Fig. 76 for Tr3 and its associated devices. For the record Tr1 has very heavy negative feedback at high frequencies and is there more as an equaliser than a gain stage; Tr2 acts as a simple voltage amplifier.

You can change the input to suit a crystal microphone as shown in Fig. 79, and, if required, you can introduce a volume control instead of R4.

Perhaps the most common type of power stage used in most modern amplifiers is the type called Class B. The basic circuit is shown in Fig. 80. Its prime advantage is that it has considerably higher power efficiency than its Class A counterpart and under "no signal" conditions its quiescent current is very small. It is thus admirable for portable battery operated applications. Its main drawback is that it is rather more complicated and ideally should use matched components for Tr2 and Tr3. It needs setting up carefully to prevent a particularly nasty form of distortion known as "cross over distortion."

Tr2 and Tr3 are basically a couple of complementary emitter followers and biasing is arranged

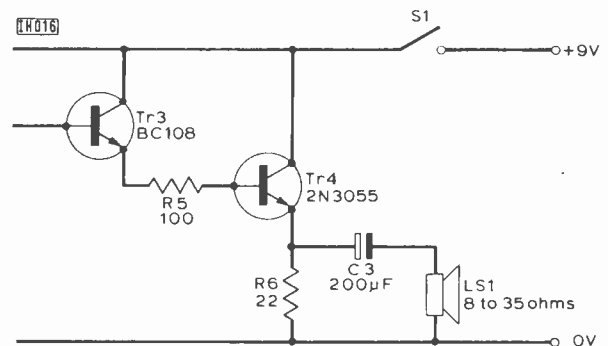


Fig. 76: An alternative output from Fig. 74. Using C3 and R6 prevents a standing direct current through the loudspeaker coil.

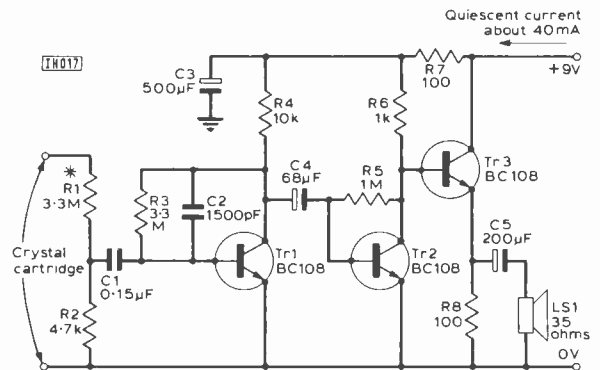


Fig. 77: A simple low power record player amplifier. This is only suitable for crystal cartridges. R1 should be reduced in value for low output pick-ups but should not be less than 100kΩ. The alternative output stage of Fig. 74 or Fig. 76 could be used if an 8Ω speaker is available. Note the high quiescent current.

with R3 so that the collector potential of Tr1 is mid rail. By careful adjustment of R2 we can arrange that there is sufficient difference between the base voltages of the two output transistors to overcome their respective voltage drops so that a small current flows from the positive rail to ground through both devices. When this happens the potential at the posi-

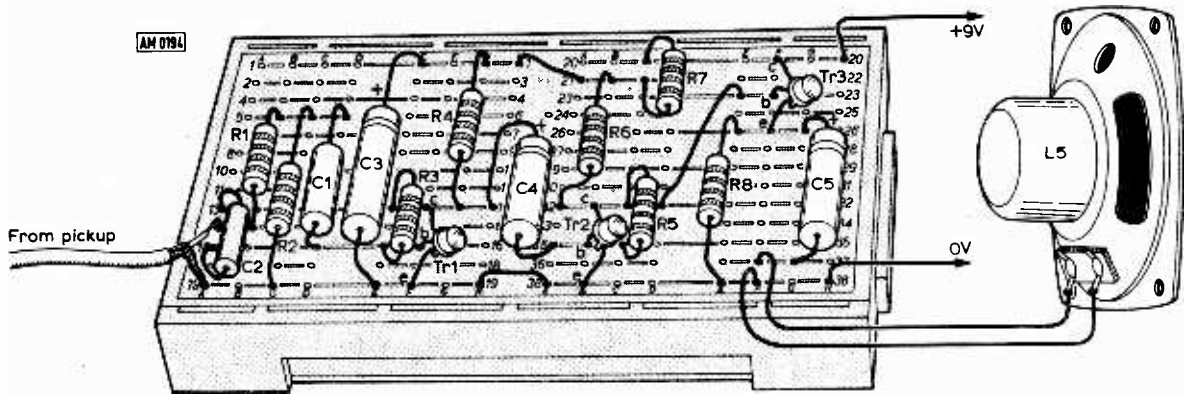


Fig. 78: Layout for Fig. 77. If a volume control is required R4 should be omitted and flying leads taken from holes G1 and G13 to VR1 (see Fig. 79) The centre connection from VR1 goes to G6 and the +ve end of C4 goes to H6.

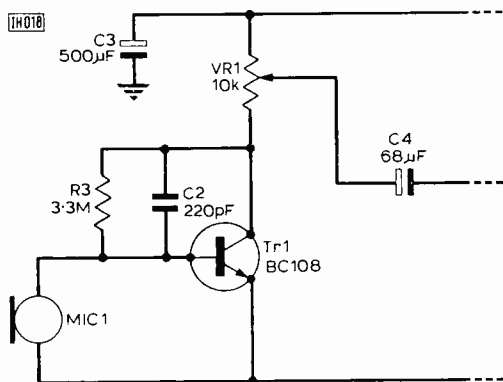


Fig. 79: Alternative input stage for Fig. 77 if (a) a crystal microphone is used or (b) a volume control is required.

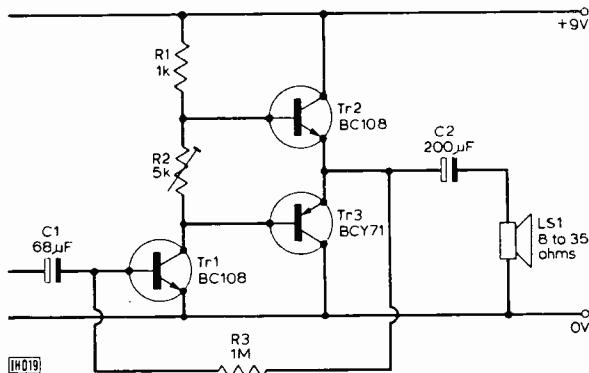


Fig 80: Basic circuit for a complementary transistor output stage. R2 should be adjusted until the quiescent current is about 15mA.

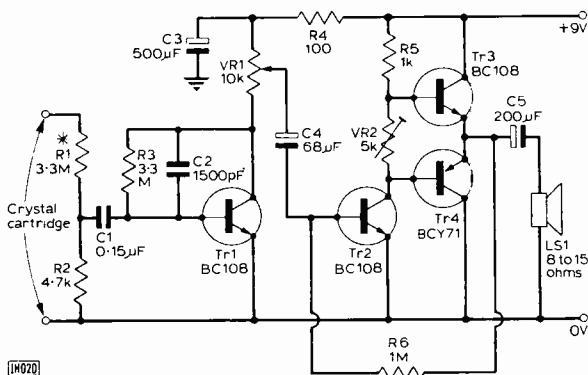


Fig. 81: A complete low power portable record player amplifier using class B output. In this application Tr4 can be any general purpose pnp silicon device.

tive end of C2 should be approximately mid rail by normal emitter follower action.

If a positive going input signal is applied to C1 the collector potential of Tr1 falls and Tr2 will go out of conduction while Tr3 goes harder into conduction thereby causing current to flow round the circuit LS1, C2 and Tr3; when the input signal goes in a negative direction the converse will happen and current flows into the loudspeaker via Tr2, C2 and LS1.

The transition between Tr2 and Tr3 taking over the conduction cycle is very important because there

is a point when both transistors are conducting slightly, this is the "cross over condition" and must occur smoothly. The best way of ensuring this is to make sure that in the absence of any signal both transistors are conducting a little; if they are not there will be a gap between the two halves of the cycle and cross-over distortion will occur. You can see the effect by making up the record player amplifier of Fig. 81.

The input stages are identical to those already described. Initially set VR2 to minimum resistance and in the absence of input signal measure the quiescent current; it should be no more than 4 or 5mA. Put on a record and the sound will be atrocious. This is because we have deliberately allowed cross-over distortion to take place. Now remove the sound source and while monitoring the quiescent current slowly increase the value of VR2 until the standing current reaches about 15mA then replay the record and the sound quality should be excellent. Do not allow more than 20mA of quiescent current otherwise you might damage the output transistors but try manually reducing the value of VR2 while the record is playing and you will suddenly hear the nasty effect of cross-over distortion. To ensure freedom from distortion it is obviously desirable to have some standing current but notice that the amount required is very much lower than the Class A circuit already discussed.

Next month-R C filters

# PRODUCTION LINES

colin riches

## BSR 8-TRACK RECORDER



### JAYBEAM AERIAL ROTATOR

The Stolle rotators available in the U.K. have up to now been of two types, each of which had its own advantages.

The new MULTIMATIC model ingeniously combines the advantages of both the Automatic and Memomatic models. A large outer control



A) Control Unit.

knob is set to the required bearing and the aerial begins to rotate and at the same time, a repeater dial inside the main control knob indicates the actual bearing of the aerial. Thus if a signal is peaked at a bearing other than the expected one, the angle is known and can be repeated or the rotator may be stopped by turning the control knob back to the indicated bearing.

A double-wound mains transformer fitted into the control unit reduces the mains voltage to 20 volts a.c. This low voltage is used to operate the shaded pole motor within the watertight housing of the drive unit which rotates the aerial.

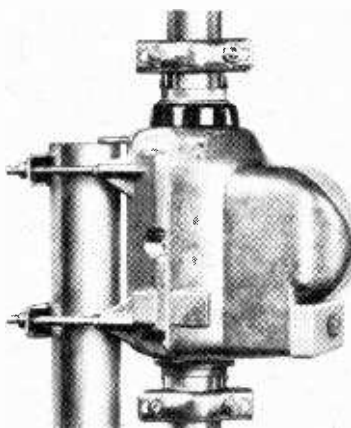
The drive unit has a hollow shaft to take revolving aerial masts of up to 38mm dia. (approx 1.5in) and a universal bracket for support masts of up to 52mm dia. (approx 2in). The carrying capacity is 25kg (55 lbs).

An entirely separate information feedback circuit is used to operate the direction indicator dial. This avoids errors due to overswing or excessive wind loading.

The Multimatic is recommended for use with TV, f.m. and Amateur

aerial systems. Amateur h.f. beam aerial systems may be fitted as long as the drive unit spec. is not exceeded.

Price is £35 plus VAT. Post free U.K. Further details upon application to Jaybeam Ltd. The sole U.K. importers of the Multimatic are *Jaybeam Ltd, Moulton Park Industrial Estate, Northampton.*



B) Drive Unit.

BSR recently announced their TD8 8-track cartridge recorder (T156). It is a reasonably-priced unit which will be a boon to all those who have 8-track players and don't want to keep paying out for pre-recorded tapes.

Tape speed is  $3\frac{1}{4}$  in. per sec.; the programme selector is for automatic or manual operation; track-playing sequence is 1 and 5, 2 and 6, 3 and 7, 4 and 8 and infinite repeat.

Wow and flutter is quoted as being less than 0.3% total and frequency response better than 50-10,000Hz.

Power supply is 210-250V a.c. Output is 650mV nominal. 1kHz standard ref. level tape. Input has automatic recording level, 50mV-2V with 100kΩ impedance and signal to noise ratio is quoted as being better than 40dB playback alone and better than 36dB overall.

The price of the T156 was not available at time of going to press. Further information can be obtained from *BSR Limited, Monarch Works, Cradley Heath, Warley, Worcs. 64 5QH.*

### BBC CARTRIDGES



Four 8-track cartridges have recently been released by the BBC. The first is Monty Python's Flying Circus (RCT 8001)—a mono recording which contains such all-time classics as 'Flying Sheep', and the 'North CheamBye-Election'.

The other mono cartridge is entitled Unique Hancock (RCT 8002). Recordings of Tony with the usual team of Sid, Kenneth, Hattie and Bill bring back most pleasantly hilarious memories. Tracks like 'With My Woggle I Thee Worship' and 'Christmas—East Cheam Style' bring back once again the realisation of what a unique person Hancock was—hence the title!

The Last Goon Show of All (RCT 8000) is recorded in stereo and is—the last Goon Show of all. What more can I say? It's well worth adding to the collection and is a 'classic of our time'.

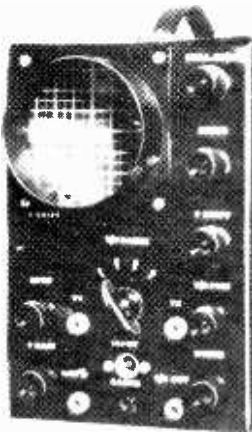
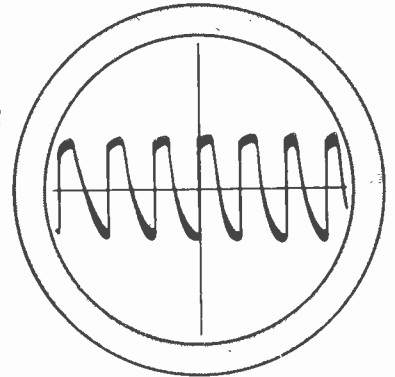
BBC Top Tunes (RCT 8003) completes the quartet and makes an excellent 'in-car' tape with tracks which include TV and radio themes like 'Onedin Line', 'Owen M.D.', 'Archers', 'Lotus Eaters', 'Dad's Army' and 'Tomorrow's World'.

The cartridges cost £3 each and they are obtainable from most record stores.

# look! electronics really mastered

... practical  
... visual  
... exciting!

no previous knowledge  
no unnecessary theory  
no "maths"



RAPY

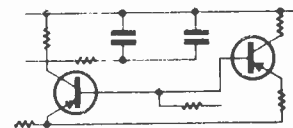
## BUILD, SEE AND LEARN

step by step, we take you through all the fundamentals of electronics and show how easily the subject can be mastered. Write for the free brochure now which explains our system.

### 1/ BUILD AN OSCILLOSCOPE

You learn how to build an oscilloscope which remains your property. With it, you will become familiar with all the components used in electronics.

### 2/ READ, DRAW AND UNDERSTAND CIRCUIT DIAGRAMS



as used currently in the various fields of electronics.

### 3/ CARRY OUT OVER 40 EXPERIMENTS ON BASIC ELECTRONIC CIRCUITS & SEE HOW THEY WORK, including:

valve experiments, transistor experiments amplifiers, oscillators, signal tracer, photo electric circuit, computer circuit, basic radio receiver, electronic switch, simple transmitter, a.c. experiments, d.c. experiments, simple counter, time delay circuit, servicing procedures.

This new style course will enable anyone to really understand electronics by a modern, practical and visual method—no maths, and a minimum of theory—no previous knowledge required. It will also enable anyone to understand how to test, service and maintain all types of electronic equipment, radio and TV receivers, etc.

**FREE** POST NOW for BROCHURE

or write if you prefer not to cut page

To: **BRITISH NATIONAL RADIO & ELECTRONICS SCHOOL,**

P.O. Box 156, JERSEY. Please send your free brochure, without obligation, to:  
*we do not employ representatives*

NAME

BLOCK CAPS

ADDRESS

PLEASE WL94

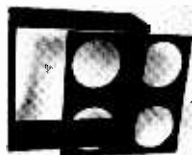
**special free gift also to all our students**

# CUSTOM CABINETS 328/30 The Banks, Rochester, Kent. Tel: Medway (0634) 404199

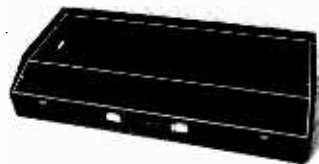
## Speaker Cabinets in kit form represent HUGE SAVINGS



2' x 12" Cabinet



4' x 12" Cabinet



Disco Console (includes lid not shown)  
Takes two slaves

For a long time now a large number of customers have asked us to produce cabinets in kit form, and above we show examples of cabinet styles and these are now available either fully built or in kit form ready for you to produce a professional finish in a very short time!

Kits are available in all specifications and all the kits contain everything you need as follows:-

- 1) 4 sides with handle cutouts, front edges rounded, 1 back with jack socket hole, and 1 baffleboard with speaker cutout
- 2) P.V.C. cut to size for frame and back, plus false front and back timbers, white front piping and speaker cloth
- 3) Recessed handles with fixing screws, jack socket, all fixing screws, corner plates, glue, and full instructions!

### PRICE & TYPE LIST

Type	Size	Price manufactured	Kit price
2 x 12" (illustrated above)	36" x 18" x 13" x 3/4"	£19.50	£12.50
4 x 12" (illustrated above)	31" x 31" x 13" x 3/4"	£24.50	£17.50
4 x 12" P.A. Column	48" x 27" x 13" x 3/4"	£30.00	£21.50
1 x 18"	31" x 31" x 13" x 3/4"	£24.50	£17.50
1 x 15" with two top horn cutouts	36" x 20" x 13" x 3/4"	£21.00	£13.50
Mini Disco (state deck cutout BSR, GARRARD etc.)	33" x 20" x 48" x 1/2"	£20.00	£13.00
Maxi Disco (illustrated) (state deck cutout BSR, GARRARD etc.)	42" x 20" x 10" x 1/2"	£25.00	£18.50

Please ask for quotation on any other type or size of cabinet you may require.

ALL OUR PRICES INCLUDE VAT AND UK DELIVERY

# Marshall's

A. Marshall (London) Limited  
42 Cricklewood Broadway London NW2 3HD  
Telephone 01-452 0161 Telex 21492  
& 65 Bath Street Glasgow G2 2BX  
Telephone 041-332 4133

## SPECIAL TELE TENNIS KIT

We are now able to offer at special prices all the components listed in the July 1974 Practical Wireless for the Tele Tennis Project. As per parts list we can supply:—Resistor packs £1 + P & P 20p. Potentiometer packs £1.25 + P & P 20p. Capacitor packs £3.10 + P & P 20p. Semi-conductor packs £17.50 + P & P 20p. IC Holders £4.50 + P & P 20p. Transformer £1.15 + P & P 20p. We offer a still further reduction in price with all packs purchased together—£26.50 + P & P 30p. All prices are exclusive of 10% VAT.

Type	Price	Type	Price	Type	Price	Type	Price
SN7400	16p	SN7437	35p	SN7483	£1.20	SN74154	£1.86
SN7401	16p	SN7438	35p	SN7484	95p	SN74155	£1.56
SN7401 AN	38p	SN7440	16p	SN7485	£1.58	SN74157	£1.89
SN7402	16p	SN7441	85p	SN7486	45p	SN74160	£1.58
SM7403	16p	SN7442	85p	SN7490	85p	SN74161	£1.58
SN7404	24p	SN7445	£1.59	SN7491	£1.10	SN74162	£1.58
SN7405	24p	SN7446	£2.00	SN7492	75p	SN74164	£2.01
SN7406	45p	SN7447	£1.30	SN7493	85p	SN74165	£2.01
SN7407	45p	SN7448	£1.50	SN7494	85p	SN74167	£4.10
SN7408	25p	SN7450	16p	SN7495	80p	SN74174	£1.80
SN7409	33p	SN7451	16p	SN7496	£1.00	SN74175	£1.29
SN7410	16p	SN7453	16p	SN74100	£2.16	SN74176	£1.74
SN7411	25p	SN7454	16p	SN74107	43p	SN74180	£1.44
SN7412	28p	SN7460	16p	SN74118	£1.00	SN74181	£5.18
SN7413	50p	SN7470	39p	SN74119	£1.92	SN74190	£1.95
SN7416	45p	SN7472	38p	SN74121	57p	SN74191	£1.95
SN7417	30p	SN7473	44p	SN74122	80p	SN74192	£2.05
SN7420	16p	SN7474	48p	SN74123	72p	SN74193	£2.30
SN7423	37p	SN7475	59p	SN74141	£1.00	SN74196	£1.58
SN7425	37p	SN7476	45p	SN74145	£1.44	SN74197	£1.58
SN7427	45p	SN7480	75p	SN74150	£1.44	SN74198	£3.16
SN7430	16p	SN7481	£1.25	SN74151	£1.10	SN74199	£2.88
SN7432	45p	SN7482	87p	SN74153	£1.09		

Most of the ICs for Television Game Projects are stocked by Marshall's

Prices quoted are all exclusive of Vat

Post and Package 20p postage and package charges

Prices correct at September 1974

### PC ETCHING KIT

Contains 1lb Ferric Chloride, 100 sq. ins. copper-clad board, DALO etch-resist pen, abrasive cleaner, etching dish & instructions, all for only £3.30

### RESISTORS & CAPACITORS

500 assorted resistors £1.35. 2500 £4.70. 150 poly. ceramic, mica etc capacitors 80p.

### VEROBOARD

100 sq. ins. assorted sizes and pitches (no tiny pieces) £1.10.

### 3W TAPE AMPLIFIERS

Polished wooden cabinet 14 x 13 x 9" containing a sensitive (20uV) 4 valve amplifier with tone & volume controls. Gives 3 watts output to the 7 x 4" 3Ω speaker. Also a non-standard tape deck. Supplied in good working condition with circuit. Standard mains operation. £4.50. Suitable cassette £1.10. Spare head 33p. Tape (ex-computer) 75p. Amplifier chassis only, complete and tested (2xECC83, EL84, EZ80) and speaker £3.

### VERSATILE POWER UNIT

Contains mains transformer, 2A thermal cut-out and bridge rectifier. Will give 1.7-10.5V output with 2 extra capacitors (supplied) £1.20. Also available as model garage with switch, lamp, jack plug etc. (Used for 'Hot Wheels') £1.70.

### DEKATRON UNIT

Contains 2 CV2271 dekatrons, 2 4 digit electromagnetic resettable counters, 2 sealed relays, 2 ECC81, R's, C's etc. £2.

### FERRIC CHLORIDE

Anhydrous technical quality to Mill Spec in 1lb double sealed packs. 1lb 80p, 3lbs £1.85, 10lbs £4.45, 100lbs £35.

### PO AMPLIFIER UNIT

Contained in steel case 5 1/2 x 5 x 3 1/2" are 2xGET116 transistors on heat sinks, 3 pot cores, 2 30V zeners, 4 audio transformers, 1 1/2 resistors & caps. With circuit diagram £1.

### 7lb BARGAIN PARCELS

Hundreds of new components—Pots, resistors, capacitors, switches, + PC boards with transistors with and diodes, and loads of odds and ends. Amazing value at only £2.30.

### COMPUTER PANELS

3lbs asstd £1.40, 7lbs £2.65, 56lbs £15. Pack containing 500 components with at least 50 transistors 95p, 12 High quality panels with power transistors, trim pots, IC's etc £2.50. Thousands of boards at shops for callers from 5p.

### SLOT METER

Ex-Pay TV, takes 10p pieces, has 3 digit mechanical counter, coin counter, Sangamo-Weston impulse movement, nylon gearing, switch, etc. Only £1.20.

### MISCELLANEOUS

Transformer, Mains pri 16-0-16V with 9V tap sec 1: A £2. Post office 4 digit counters 60p. Balanced armature earpieces, use as mic or spkr 20Ω impedance 30p. 2N3055 38p. 80 + 80 + 20uF 350V 15p, 10 for £1.15.

All prices shown include VAT and postage (mainland only) SAE list.

## GREENWELD ELECTRONICS (PW6)

Mail order dept, wholesale/retail shop 51 SHIRLEY PARK ROAD, SOUTHAMPTON. Tel 0703 772501. Other retail shops at 21 Deptford Broadway SE8, Tel 01-892 2009 and 38 Lower Addiscombe Road, Croydon. Callers Welcome



# Transistor Detectors

G. R. WILDING

**A**LTHOUGH diodes are used as detectors in at least 90% of AM receivers, transistors can be used with advantage in many circuits to improve stage gain and to confer amplified AGC.

In recent years, Philips, Alba, Cossor, KB and RGD have all marketed models using transistors as detectors, either in common-base or common-emitter mode.

Common-base stages have a low input impedance but as their voltage gain is similar to that of common-emitters this disadvantage can be greatly reduced by a suitable step-down ratio for the driving IFT.

The input impedance of common-emitters, on the other hand, especially with an undecoupled emitter resistor, is relatively high even with unity transformer ratio, and imposes no more loading on the preceding stage than does the load resistor of a conventional diode.

For constructors, it will be found a simple matter to include a transistor detector in experimental hook-ups, or even to try in an older type receiver, for apart from the few components involved, it will usually only be necessary to make a minor re-adjustment to the alignment of the last IFT to compensate for slight changes in circuit capacitance.

## C-B Mode

A circuit using an OC71 as AM detector in common-base mode is shown in Fig. 1 as incorporated in several Philips models.

Transistor Tr2 is without forward bias, and being PNP with base directly connected to positive chassis, only conducts when the positive half-cycles are applied to its emitter, this being equivalent to driving its base negative to emitter.

Collector current and therefore collector voltage will vary with the AF modulation, the latter's mean value tending to decrease with rising signal strength due to increased voltage drop across the load resistor R1.

As will be seen, forward bias to the IF amplifier is taken via the secondary of IFT1 from the junction of R2 and R3, the former resistor being supplied from Tr2's collector.

Increasing signal strength will therefore reduce forward bias to the IF stage, the AF component of the DC feed from Tr2's collector being filtered out by C1.

## C-E Mode

When transistors are used in common-emitter mode, their operation is similar to that of anode bend valve detectors, and in fact are sometimes known as collector-bend detectors, since they are biased to just above cut-off, to where the transfer characteristic has most curvature, so that while input half-cycles of one polarity greatly increase  $I_c$ , those of the opposite polarity decrease  $I_c$  only slightly.

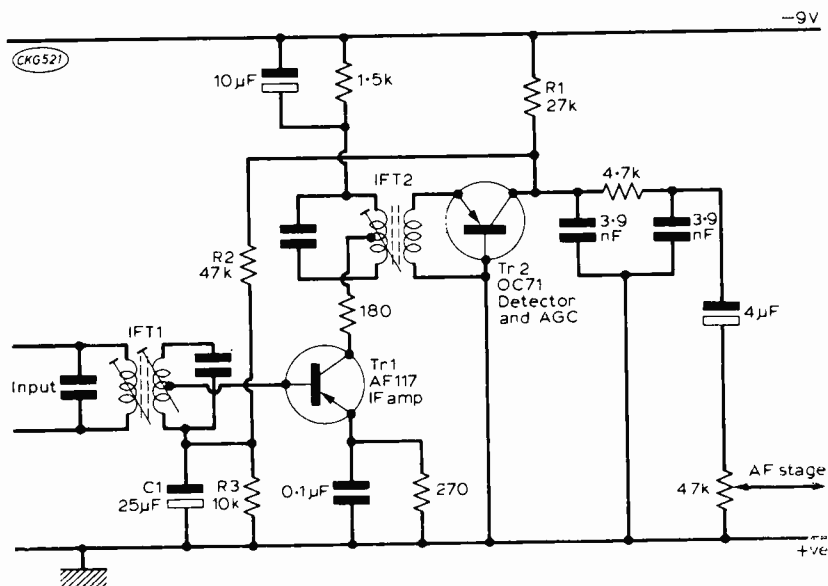


Fig. 1. Common-base detector used in Philips L2G43T receivers. Tr2 being without forward bias conducts only when positive half-cycles are applied to its emitter and the resulting decrease in its collector voltage reduces forward bias to the IF amplifier, thus providing a measure of amplified AGC.

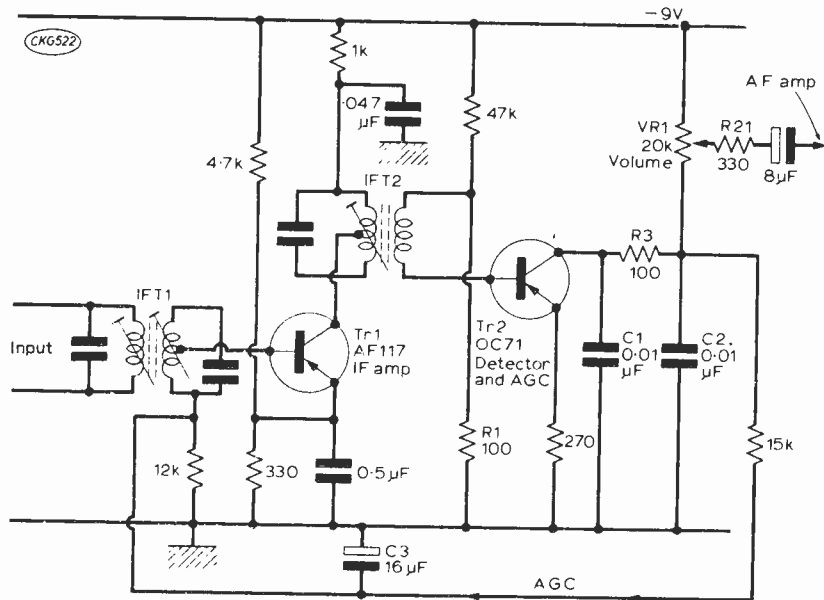


Fig. 2. Common-emitter detector used in Alba 939 receivers. Tr2 is slightly forward biased so that negative half-cycles produce a greater increase in  $I_c$  than positive half-cycles produce a decrease. Net result is that collector current varies with the AF modulation, and, as the collector load VR1 of Tr2 is part of the bias supply circuit to Tr1, the latter transistor is reverse AGC controlled. The 47kΩ resistor in the base circuit of Tr2 should be shown as R2.

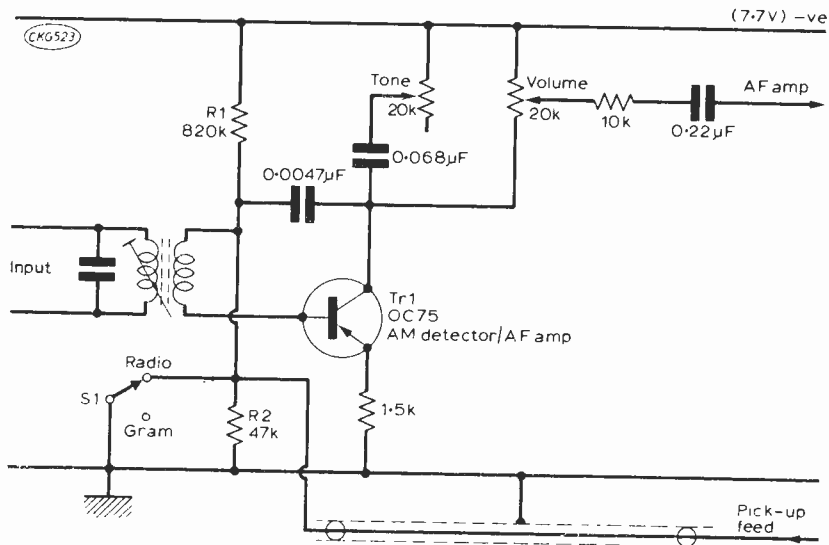


Fig. 3. Common-emitter used as detector without forward bias on AM reception and as a conventional AF amplifier with forward bias during record reproduction (STC GC6).

Net effect therefore is a rise in collector current which follows the signals amplitude modulation.

Of course an ideal detector would have negligible resistance to current in one direction, but of infinite value to current in the reverse direction, and though thermionic diodes have extremely high 'reverse' resistance, their forward resistance is appreciable. On the other hand, semiconductor diodes have a much lower forward resistance but have a reverse resistance probably no greater than  $1M\Omega$  at most.

A typical common-emitter arrangement is shown in Fig. 2 as used in some Alba receivers, with the very small forward bias to the detector made evident by the low value of R1, connected across the transistor b/e junction, to that of R2, connected from 9V rail to transistor base.

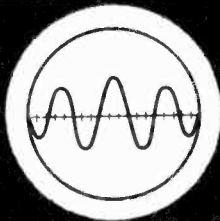
As with the previous Philips example, collector current increases according to input amplitude, and the resulting decrease in collector voltage is used

to decrease forward bias to the IF stage by including the load resistor, VR1, in the DC feed circuit of this transistor. C1/R3/C2 form a pi filter to remove the IF carrier and attenuate HF response, while C3 removes the AF component from the AGC feed to Tr1.

An interesting variation on the basic common-emitter arrangement is used in the STC GC6 radio-gram chassis, where the OC75 used as detector on radio reception without forward bias, is used as a conventional first AF amplifier with normal bias for record reproduction.

The circuit is shown in Fig. 3 with S1 effecting the bias change by shorting out the bottom resistor of the R1/R2 potential-divider while earthing the live pick-up lead. In common with the other examples, the emitter resistor is left unbypassed and though this leads to negative feedback, greatly increases the effective input impedance to minimise loading on the final IFT and kept selectively at maximum. ■

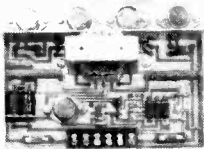




# TUAC

**TRANSISTOR UNIVERSÁL  
AMPLIFICATION COMPANY  
LTD. (DEPT. W)  
163 MITCHAM ROAD  
LONDON SW17 9PG  
01-672 3137/9098**

**NEW TUAC POWER MODULES. Now in their second successful year offering more power and quality than ever before.**



**TP125  
Illustrated  
£17-25**

- ★ 125 Watts RMS continuous sine wave output
- ★ 4 RCA 150 Watt 15 Amp output transistors
- ★ Special layer wound driver transformer
- ★ Short, open, and thermal overload protection
- ★ Compact size: 7 x 6½ x 3 in.

**TL30 Illustrated**



**£9-50**

- ★ 30 watts RMS sine wave
- ★ Rugged transformer driver
- ★ Short, open and thermal overload protection
- ★ 3 RCA output transistors



**TL100  
Illustrated  
£13-50**

- ★ 100 Watts RMS sine wave
- ★ 2 RCA 15 Amp output transistors
- ★ Rugged transformer driver
- ★ Full thermal overload protection
- ★ Compact size: 5 x 5 x 3 in.

**TL60**

★ 60 Watts RMS sine wave

**£11-75**

- ★ RCA 115 Watt output transistors
- ★ Only six connections to make
- ★ Same size as TL100

**Specification on all four power modules :**

All output power ratings ±1dB. Output impedance 8-15 Ohms. THD at full power 1% typically 0-5%. Input sensitivity 60mV into 10kΩ. Frequency response 10Hz-25kHz ±2dB. Hum and noise better than -75dB.

**Power supplies vacuum impregnated Transformers with supply board incorporating**

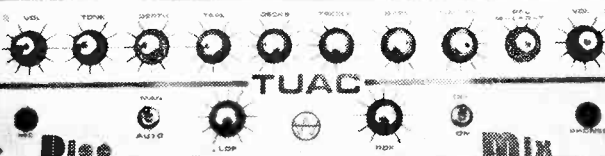
**pre-amp supply :**

PS 125 ± 50 volts for one TP125	£11 75
PS 100 ± 45 volts for one TL100	£10 75
PS 60 ± 40 volts for one TL60	£9 50
PS 30 + 50 volts for one TL30	£7 00
PSU 2 for supplying Disco Mixer	£4 75



**ALL PRICES INCLUDE V.A.T. AND POSTAGE AND PACKING**

ACCESS & BARCLAY CARDS ACCEPTED, JUST SEND US YOUR NUMBER. H.P. ARRANGED THROUGH PAYBONDS.



Designed for the discerning D.J. of professional standard. Offering a vast variety of functions.

Controls: Mic Vol. Tone. Over-ride depth. Auto Manual Sw. Tape Vol. L & R Deck Faders. Deck Volume. Treb. & Bass. H. Phon Vol. Selector. Master Vol. on/off sw. Max. output 1V RMS. Specification: Deck Inputs; 50mV into 1M Ohm. Deck Tone Controls; Treble +28 -15dB at 12KHz; Bass +22 -15dB at 40Hz. Mic Input; 200 Ohms upwards, 2mV into 10K Ohms; Mic Tone Control; Total variation Treble 15dB. Total variation Bass 10dB. Tape Input; 30mV into 47K Ohms. Power Requirements; 30-45 volts at 150mA.

**£27-00**

★ PANEL SIZE 18 x 4½ in. DEPTH 3 in.

**TUAC HIGH POWER AMPLIFICATION—built to high standards, and built to last**



**50 WATT RMS SINE WAVE ALL PURPOSE AMPLIFIER**

Suitable for Disco, PA, Guitar. 4 Inputs, 2 volume controls. Master volume, treble, middle and bass controls. Rugged circuit, rugged leather-cloth covered case, short and open circuit protection. Tone control specification as VA08 pre-amp. FULLY FUSED.

Illustrated

50 WATT	£44-00
100 WATT	£66-00
100 WATT SLAVE illustrated	£49-50



**TUAC MAIN DEALERS**

**BRISTOL DISCO CENTRE,**  
86 Stokes Croft, Bristol 1  
Tel. Bristol 41666

**CALBARRIE AUDIO**  
38 Cromwell Road, Luton, Beds.  
Tel. Luton 411733

**SOCODI,**  
9 The Friars, Canterbury, Kent.  
Tel. Canterbury 60948

**WEC LIGHTING**  
35 Northam Road, Southampton, Hants.  
Tel. Southampton 28102

**CALLERS ONLY PLEASE**

**LARGE SAE. WITH ALL ENQUIRIES PLEASE.**

**NEW FROM TUAC!!!**

- SPEAKER CABINETS AND SPEAKERS**
- ★ FULLY PRESSURISED
  - ★ FINISHED BLACK TEAR AND SCUFF RESISTANT REXINE
  - ★ ATTRACTIVE ORANGE KICK-PROOF GRILL
- |                            |               |
|----------------------------|---------------|
| 200 WATT 4 x 12            | £110 00       |
| 100 WATT 2 x 12            | £66 00        |
| 160 WATT 4 x 8" P.A. COLS. | (pair) £75 00 |
| TUAC 50W 12" SPEAKER       | £15 00        |
| TUAC 30W 12" SPEAKER       | £10 00        |
| TUAC 100W H/F HORN         | £40 00        |
- Please state Impedance when ordering.

- FLASHING BEACONS**
- ★ 240V MAINS OPERATION
  - ★ CHOICE 5 COLOURS: RED, AMBER, BLUE, GREEN AND CLEAR
  - ★ STANDARD S.B.C. FILAMENT BULB
  - ★ ONLY £22-00—SPARE DOMES £1-90 EACH
- 100W SPOT LAMPS; BAYONET FIXING; RED, PINK, YELLOW, GREEN, BLUE AND VIOLET. £1-25 EACH

**SLIP-MATS**  
PROFESSIONAL FELT SLIP-MATS 45p EACH, 80p PAIR

# YATES ELECTRONICS

(FLITWICK) LTD.

DEPT P.W., ELSTOW STORAGE DEPOT  
KEMPSTON HARDWICK  
BEDFORD

C.W.O. PLEASE. POST AND PACKING  
PLEASE ADD 10p TO ORDERS UNDER £2.

Catalogue sent free on request, 10p stamp  
appreciated.

**PLEASE ADD 10% VAT**

## RESISTORS

1/2W Iskra high stability carbon film—very low noise—capless construction.  
1/2W Mullard CR25 carbon film—very small body size 7.5 x 2.5 mm.  
1/2W 2% ELECTROSIL TRS.

Power watts	Tolerance	Range	Values available	1-99	Price	100+
1/2	5%	4.7Ω-2.2MΩ	E24	1-3p	1-1p	1-1p
1/2	10%	3.3MΩ-10MΩ	E12	1-3p	1-1p	1-1p
1/2	2%	10Ω-1MΩ	E24	3-5p	3p	3p
1/2	10%	1Ω-3.9Ω	E12	1-3p	1-1p	1-1p
1/2	5%	4.7Ω-1MΩ	E12	1-3p	1-1p	1-1p
4	10%	1Ω-10Ω	E12	8p	7p	7p

Quantity price applies for any selection. Ignore fractions on total order.

## DEVELOPMENT PACK

0.5 watt 5% Iskra resistors 5 off each value 4.7Ω to 1MΩ.  
E12 pack 325 resistors £2.40. E24 pack 650 resistors £4.70.

## POTENTIOMETERS

Carbon track 5kΩ to 2MΩ, log or linear (log 1/2 W, lin 1/2 W).  
Single, 14p. Dual gang (stereo), 49p. Single D.P. switch, 25p.

## SKELTON PRESET POTENTIOMETERS

Linear: 100, 250, 500Ω and decades to 5MΩ. Horizontal or vertical P.C. mounting (0.1 matrix).  
Sub-miniature 0.1W, 5p each. Miniature 0.25W, 7p each.

## SMOKE AND COMBUSTIBLE GAS DETECTOR—GDI

The GDI is the world's first semiconductor that can convert a concentration of gas or smoke into an electrical signal. The sensor decreases its electrical resistance when it absorbs deoxidizing or combustible gases such as hydrogen, carbon monoxide, methane, propane, alcohol, North Sea gas, as well as carbon-dust containing air or smoke. This decrease is usually large enough to be utilized without amplification. Full details and circuits are supplied with each detector.  
Detector GDI £2. Smoke and Gas Detector Kits, mains operated with audible alarm £5.60. Mains operated Meter Indicator £7.90. Mains/Battery Gas Leak Detector £12.60. 12/24V Battery operated £8.40. 12V Battery operated Two Remote Sensors £12.80. NOTE The battery operated kits incorporate our patented circuit to minimise battery drain. The battery operated kits contain all parts required with the exception of case. Suitable case mains operated kit £1.60. Battery operated kits £5.

## MULLARD POLYESTER CAPACITORS C296 SERIES

400V: 0.001μF, 0.0015μF, 0.0022μF, 0.0033μF, 0.0047μF, 3p. 0.0068μF, 0.01μF, 0.015μF, 0.022μF, 0.033μF, 3p. 0.047μF, 0.068μF, 0.1μF, 5p. 0.15μF, 6p. 0.22μF, 7p. 0.33μF, 11p. 0.47μF, 13p.

100V: 0.01μF, 0.015μF, 0.022μF, 0.033μF, 0.047μF, 0.068μF, 3p. 0.1μF, 3p. 0.15μF, 4p. 0.22μF, 5p. 0.33μF, 6p. 0.47μF, 7p. 1.0μF, 13p.

## MULLARD POLYESTER CAPACITORS C280 SERIES

250V P.C. mounting: 0.01μF, 0.015μF, 0.022μF, 0.033μF, 0.047μF, 0.068μF, 3p. 0.1μF, 4p. 0.15μF, 0.22μF, 5p. 0.33μF, 6p. 0.47μF, 8p. 0.68μF, 11p. 1.0μF, 13p. 1.5μF, 20p. 2.2μF, 24p.

## MYLAR FILM CAPACITORS 100V

0.001μF, 0.002μF, 0.005μF, 0.01μF, 0.02μF, 3p. 0.04μF, 0.05μF, 0.068μF, 0.1μF, 6p.

## CERAMIC DISC CAPACITORS

100pF to 10,000pF, 2p each.

## ELECTROLYTIC CAPACITORS

(μF/v) 1/63, 1.5/63, 2.2/63, 3.3/63, 4.7/63, 6.8/40, 6.8/63, 10/25, 10/63, 15/16, 15/40, 15/63, 22/10, 22/25, 22/63, 33/6.3, 33/16, 33/40, 47/4, 47/10, 47/25, 47/40, 56/8.3, 68/16, 100/4, 100/10, 100/25, 150/6.3, 150/16, 220/4, 220/6.3, 220/16, 330/4, 6p. 47/63, 100/40, 150/25, 220/25, 330/10, 470/8.3, 7p. 68/63, 150/40, 220/40, 330/16, 1000/4, 10p. 470/10, 680/6.3, 11p. 100/63, 150/63, 220/63, 1000/10, 12p. 470.25, 680/16, 1500/6.3, 13p. 470/40, 680/25, 1000/16, 1500/10, 2200/6.3, 18p. 330/63, 680/40, 1000/25, 1500/16, 2200/10, 3300/6.3, 4700/4, 21p.

## SOLID TANTALUM BEAD CAPACITORS

0.1μF 35V 0.47μF 35V 2.2μF 35V 6.8μF 25V 22μF 16V 47μF 6.3V  
0.22μF 35V 1.0μF 35V 4.7μF 35V 10μF 25V 33μF 10V 100μF 3V

## VEROBOARD

2 1/2 x 3 1/2	0-1	0-15
2 1/2 x 5	26p	22p
2 1/2 x 3 1/2	28p	28p
3 1/2 x 5	28p	28p
3 1/2 x 5	34p	34p
1 7/8 x 2 1/2	95p	77p
1 7/8 x 3 1/2	130p	108p
1 7/8 x 3 1/2 (plain)	86p	72p
1 7/8 x 2 1/2 (plain)	—	57p
2 1/2 x 5 (plain)	—	49p
2 1/2 x 3 1/2 (plain)	—	15p
Pin insertion tool	62p	62p
Spot face cutter	52p	52p
Pkt. 50 pins	20p	20p

## JACK PLUGS AND SOCKETS

Standard screened 28p 2.5mm insulated 12p  
Standard insulated 18p 3.5mm insulated 12p  
Stereo screened 40p 3.5mm screened 18p  
Standard socket 20p 2.5mm socket 11p  
Stereo socket 30p 3.5mm socket 11p

## D.I.N. PLUGS AND SOCKETS

2 pin, 3 pin, 5 pin 180°, 5 pin 240°, 8 pin, 7 pin.  
Plug 12p. Socket 8p.  
4 way screened cable 25p/metre.  
6 way screened cable 30p/metre.

## BATTERY ELIMINATOR

£1.70  
8V mains power supply. Same size as PP9 battery.

## PRINTED BOARD MARKER

97p  
Draw the planned circuit onto a copper laminate board with the P.C. Pen, allow to dry, and immerse the board in the etchant. On removal the circuit remains in high relief.

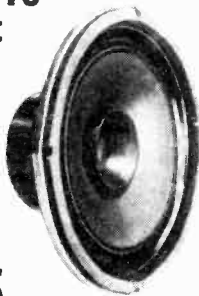
# TWO NEW ADDITIONS TO FANE 'POP' RANGE LOUDSPEAKERS

## POP 40 10" 40 Watt

Impedance 8-15 ohms  
Gauss 14,000  
Voice Coil Diam. 1 1/2 in  
Fitted Tweeter Cone  
Range 50-15,000 Hz

Rec. Retail Price inc. VAT

**£10.95**



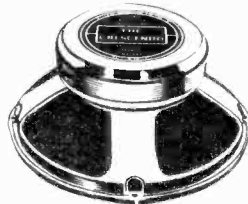
Also for those who can afford the very best  
For Instrument Reproduction

## Two Super Sensitive Models CRESCENDO '12' B

Ideal for Lead Guitar etc.  
12" 75 Watt 2" Pole Diam. Gauss 20,000

## CRESCENDO '15'

General Purpose  
15" 100 Watt 2" Pole Diam. Gauss 20,000



Rec. Retail Price

CRESCENDO '12'  
**£39.95**

Rec. Retail Price

CRESCENDO '15'  
**£48.83**

There is also a 12" Crescendo Speaker for General Purpose Public Address, and a 12" and 15" for Bass Guitar etc.

Please send S.A.E. for leaflet on 'POP' or 'CRESCENDO' Range Speakers

## POP 55 12" 60 Watt

Impedance 8-15 ohms  
Gauss 15,000  
Voice Coil Diam. 2 in  
Range 50-9,000 Hz

AN ALL PURPOSE UNIT OF HIGH sensitivity  
Rec. Retail Price inc. VAT

**£15.95**

## HIGH FREQUENCY HORN UNITS

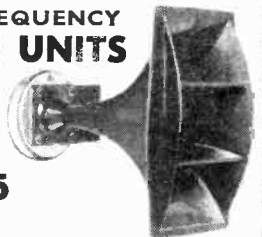
MODEL 910

Rating 25 to 50 watts according to filter capacity

**£15.95**  
inc. VAT

MODEL 920 Rating with recommended filter 100 watts

**£39.95** inc. VAT



Distributors to Wholesale and Retail Traders—LINEAR PRODUCTS LTD., ELECTRON WORKS, ARMLEY, LEEDS.  
Manufacturers enquiries to—FANE ACOUSTICS LTD., 286 BRADFORD ROAD BATLEY, YORKS

Prices shown correct at July 17, 1974



# oscilloscope

## PART 7

# techniques ALAN AINSLIE

### OSCILLOSCOPE APPLICATIONS

THE previous "chapters" on the oscilloscope should have given sufficient background for the reader to appreciate the functions of the essential controls of a typical oscilloscope. It is not considered necessary to go through the test of controls therefore, quoting their purpose, but where necessary special uses will be described in detail.

#### PHOTOGRAPHY

It is often necessary to provide on film a permanent photographic record of a trace. There are two different ways of going about this. If one has a lot of spare cash, or needs to take a lot of oscillographs, a special oscilloscope camera can be purchased to fit into the front of the scope. The film used is either normal or polaroid, providing "instant" pictures. The lens is normally of fairly large aperture (f2) and is provided with a focus control. Once focused this need never be done again unless the position of the tube or graticule is moved. There are so many different special cameras that it would be necessary to consult the instruction manual carefully before using one that is unfamiliar.

The approach taken by many amateurs is to use a conventional camera fixed on a tripod in front of the screen. Single lens reflex cameras (perhaps with extension tubes) make probably the best choice, the other types of camera needing measurements to be made of phosphor to film distance. Most simple cameras focus to 3ft. This is not close enough for oscilloscope photography and generally a 2 or 3 dioptre close up lens is fitted allowing photography to 10in. The actual distance must be measured as according to the details supplied with the supplementary lens, but as the measurements cannot be made to better than  $\pm 1/4$ in. a small stop (f5.6, 8 or 11) is needed to give the necessary focusing latitude. Also one must bear in mind that in many cases the phosphor and graticule are separated perhaps by  $1/2$ in. this implies a still larger depth of field. Bearing these facts in mind the choice must come round to the single lens reflex, as focusing is easily accomplished, with great accuracy. It is also possible to see the exact area of the image in the view finder. Extension tubes may be needed with a single lens reflex to get close enough but it must be remembered that there is an accompanying increase in exposure required.

It is difficult to assess the required exposure but experience gives a clue of the appropriate magnitude. It must be remembered that the shutter takes 1/30th

or 1/60th second to "scan" the whole of the image and this produces difficulties when the scan on the tube is of the same order of period. The only solution is to change to a slower speed, say  $1/2$ sec, or give a single shot exposure with the shutter open. When taking single shot pictures it is necessary to ensure that the waiting spot is fully extinguished or else the film will fog. The trace brightness is usually kept fairly low for maximum resolution of the CRT. The table gives typical exposures as used by the author with a Minolta SRT101 camera and 125ASA film with satisfactory trace brightness (as for normal viewing in a normally lit laboratory).

Sweep Speed Mode	Shutter	Aperture
Very slow to 1ms/cm	Single Shot	Bulb f5.6/f8
	Recurrent	Bulb to $\frac{1}{2}$ f11/f16
1ms/cm to 10 $\mu$ s/cm	Single Shot	Bulb f4.5/f5.6
	Recurrent	$\frac{1}{2}$ to 1/30 f2/f2.8
10 $\mu$ s/cm to 100ns/cm	Single Shot	Bulb f1.7
	Recurrent	1s f2
100ns/cm and faster	Single Shot	Bulb f1.7
	Recurrent	5s f1.7

As the image is of contrast and not tones overdevelopment can be used to increase film speed and overdeveloped Agfa pan 1000ASA can be rated at 2600ASA giving much more sensitivity, but the definition is not good, the image appearing to flare. When taking single shots at high speed it is necessary to ensure that the beam is not defocused when "bright up" is applied. This is checked by letting the timebase free run and noting the focus of the free running trace.

The graticule illumination (white not red) is set to be just visible in the view finder, this ensures that it will not overpower or mask the trace. When taking oscillographs of jittery signals or signals that are difficult to lock it is always best to take a single shot to avoid multiple images. On slow shutter speeds the single shot can be fired by the camera. A lead from the X sync socket on the camera (for electronic flash) is connected through a battery to the external trig socket on the scope. When the shutter is fired and open the battery is momentarily connected to the ext. trig socket on the scope, starting the timebase. This method ensures that the shutter is open as little as possible, admitting little extraneous light.

The room should be dark and the phosphor should be given time to settle down as it tends to glow a little after exposure to light. A cardboard tube can be placed between the lens and the screen, but is

cumbersome and rather restricts accessibility of the camera controls. The prints can be made on hard or extra hard paper to create plenty of contrast and produce a clean image. Careful manipulation of the enlarger enables life-size prints to be made from which measurements can easily be taken.

### LISSAJOUS FIGURES

No discussion of oscilloscope practice would be complete without reference to Lissajous figures. These figures are used for frequency comparison and can be extremely useful, and extremely accurate as they are a comparison method.

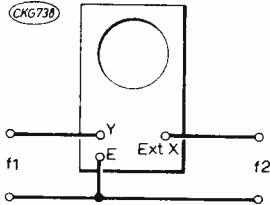


Fig. 1: Connections to scope for frequency measurements.

Fig. 1 shows how the signals are applied to the scope. The signal applied to the X amplifier must be well within its pass band to prevent phase shifts and non-linearity. Alternatively if a high signal level is available it can be fed directly to the CRT plates in the manner prescribed by the oscilloscope manufacturer. If the X and Y amplitudes are about equal then patterns will be seen when the two frequencies are at a ratio expressible by low value integers. Fig. 2 shows three simple patterns and the general case, where  $f_x:f_y$  is in the ratio  $m$  to  $n$  and the number of horizontal intercepts is  $n$  and the number of vertical intercepts is  $m$ .

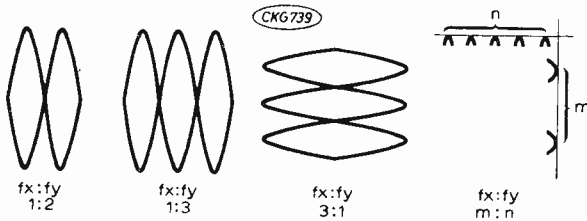


Fig. 2: Assessing frequency from Lissajous figures.

These figures are stationary when the ratio is an exact number and the signals are in phase, but a very slight change of frequency causes a changing phase difference and the pattern is seen to rotate slowly, the frequency of rotation being the frequency "error" of one of the signals. An accuracy of 1Hz is easily obtainable in setting an oscillator against a standard and 0.1Hz is not very difficult. The ratios, something:1, are easy to recognise without counting and enable oscillators to be calibrated against a standard very easily. When the signals are the same frequency, same amplitude and in phase a 45° line is drawn, a 90° phase shift giving a circle.

A variation of the above method is shown in Fig. 3. A circular trace is obtained, brightness modulated by the higher frequency. When a stationary trace is obtained the ratio of the frequencies is given by the number of bright spots on the trace. The 90° phase shift is given by the C and R network when  $R = \frac{1}{2\pi f C}$  with C in farads. A 0.1μF and 33kΩ gives a near circle for a 50Hz supply.

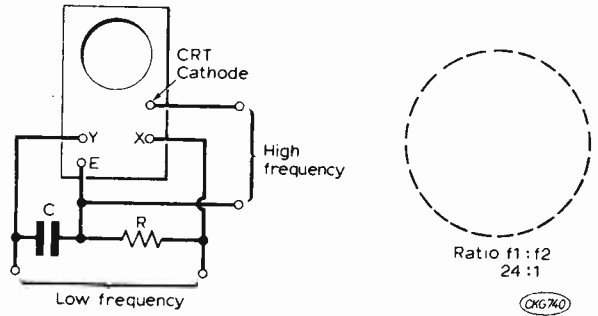


Fig. 3: Brightness modulation or determination of frequency.

### FREQUENCY BASES

In many applications it is required to show a plot of gain versus frequency for an amplifier, for example a TV IF strip or a selective amplifier. To produce such a display a sweep frequency oscillator or WOBULATOR, is used. This produces an output whose frequency is dependent on the voltage at a certain input terminal. If this voltage is obtained from the timebase on the oscilloscope the frequency will shift with X deflection. Thus the X scale can be calibrated in terms of frequency. If the amplitude of the oscillator is constant (as it is arranged to be with a good design) for all output frequencies, the output of an amplifier driven by the wobulator will, if fed to the Y amplifier, show on the screen of the scope as a frequency response plot.

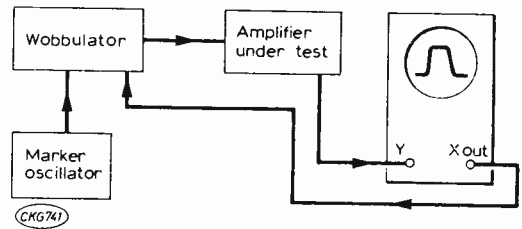


Fig. 4: Set-up for amplifier alignment.

This technique is used mainly for high frequency amplifiers in order to align them satisfactorily. In such cases the sweep speed must be slow (10 or 15 sweeps per second) in order that high Q tuned circuits can follow the changing frequency. A marker oscillator produces a "pip" on the display when the swept frequency and marker are at the same frequency, serving as calibration. Fig. 4 shows the general layout of the equipment as used for this type of test.

### FM ALIGNMENT

The range of tests is very wide but the one application that is of great interest to the amateur is the FM detector alignment procedure. When aligning the FM strip there are two outputs to be monitored, the audio output (zero at 10.7MHz) and the response shape (max. at 10.7MHz). A double beam oscilloscope (chop or true DB) can be used to show the responses simultaneously. Fig. 5 shows the general method. The 10.7 marker is moved out of the way once 10.7MHz has been found as it can cause disturbing effects. The bandwidth (curve A) is usually about 200kHz depending on the quality of the IF transformers; but a narrower response may have to

# Before you build a Heathkit send away for a free bookful of encouragement.

The new Heathkit catalogue.

In it you'll find the whole range of Heathkit electronic kits. The world's largest range, in fact.

Every one of which you can build yourself. Easily. And quickly.

And, if you're not convinced, we're sure a quick glance through our catalogue will soon encourage you to try.

You'll probably surprise yourself.

Because, even if you've never used a soldering iron in your life, you can build a Heathkit.

The easy to understand assembly manual and Kit Builder's Guide you'll get, see to that.



Start with something comparatively easy perhaps. Like our very popular digital alarm clock—the one on the front cover of the catalogue. It should only take you about three enjoyable evenings.



After which you may like to try your hand at the AR-1214 stereo receiver. Beautifully finished and



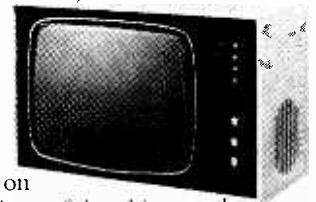
delivering 20 watts music power a channel, it's ideally suited to form the basis of a complete stereo system.

Or, if you want something to drag you away from watching television all night, we have just the thing: a television.

The GR-9900 to be precise. A 12" solid-state black and white television designed for mains or 12V battery operation.

So you can use it in the boat or caravan as well as at home.

Yet it's so straightforward to build that even a first time kit builder will probably be switching on after only a few short evenings of absorbing work.



Send us the coupon now and we'll send you your free catalogue. Or, if you happen to be in London or Gloucester, call in and see us. The London Heathkit Centre is in Tottenham Court Road (where else?) at number 233.

The Gloucester showroom is next to our factory in Bristol Road.

At either one you can be sure you'll get a lot of encouragement.

Heath (Gloucester) Limited, Dept PW-974, Bristol Road, Gloucester, GL2 6EE.

Telephone: Gloucester (0452) 29451.

## The new Heathkit catalogue. Out now. FREE.

To: Heath (Gloucester) Limited, Dept PW-974, Gloucester, GL2 6EE. Please send me my free Heathkit catalogue.

Name \_\_\_\_\_

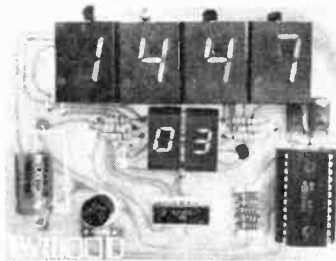
Address \_\_\_\_\_

Remember easy terms are available with the Heathkit Monthly Budget Plan

HEATH  
Schlumberger

# BYWOOD — THE DIGITAL PEOPLE?

BYWOOD have the largest range of digital clock chips, calculator chips, and seven segment readouts available anywhere. We deal only in these types of devices so that we can offer an expert advisory service to your advantage. If you want to go digital then telephone the digital people—BYWOOD at Hemel Hempstead (0442) 62757. Whether you want one or a thousand, or just a chat about digital clocks, we will be pleased to talk to you.



## 5314 - JUMBO EVALUATION KIT

Our most popular kit so far is our 5314 - JUMBO Evaluation Kit, due to the large orders that we have received from amateurs and from industrial users we are able to offer this kit at a new price of £22.80.

The MM5314 is a 24-pin LSI chip containing all the logic necessary for a 12/24 hour, 4/6 digit, 50/60Hz digital clock. The new 0.6" LED display from Litronix (the Jumbo) is readable from distances of over 25ft. We supply MM5314, socket, 4 Jumbo's, 2 DL707 0.3; digits, CA3081 driver and a 5" x 4" fibreglass PCB. You supply 16 resistors, 3 capacitors, 2 diodes, 6 transistors, transformer and switch.

**KIT PRICE: £22.80**

## MHI DIGITAL CLOCK KITS

Our MHI range of kits is intended to allow the building of virtually any type of digital clock. The range was announced in May with the MHI-5314/C kit and is now supplemented by four new additions. MHI-5314/C is based on the MM5314 chip, it gives a basic digital clock suitable for driving any of the MHI display units, £8.40. MHI-5025 kit uses the Mostek MK50250 alarm chip, it gives a six digit display with an alarm tone circuit to drive a small speaker. The kit is suitable for any of the MHI display boards, £11.35. MHI-7001 kit uses the fantastic CAL-TEX CT7001 chip with time, date, alarm, sleep, snooze and many other features. We would advise the use of a six digit MHI readout for this kit, £19.00. MHI-D707 display kit uses the DL707 0.3" LED display digits, available as a four digit kit, MHI-D707/4 £7.60, MHI-D707/6 £11.40. MHI-D747 display kit uses the DL747 0.6" LED digits, these give a display which is readable at over 25 feet MHI-D747/4 £10.25, MHI-D747/6 £15.35. MHI-D31N is specifically designed for advertising type displays, the digits are made up from discrete LED lamps and form digits about 3" high. These are readable at distances of well over 50 yards. Available as four or six digits with colons between each pair of digits. MHI-D31N/4 £24.00, MHI-D31N/6 £36.00.

The clock kits contain clock chip, CA3081 segment driver, PCB (4" x 2"). The MHI-5314/C kit does not contain a socket for the clock chip (£1.00 extra) but all other kits have a socket as standard. The display kits contain the LEDs and a four or six digit PCB.

MHI is a modular approach to building digital equipment and all present and future kits are interchangeable wherever possible. The simplicity of the kits makes them ideal for small production runs of clocks for teaching and training. For details of quantity prices please contact us at Hemel Hempstead (0442) 62757.

## Digitronic II

BYWOOD are pleased to announce our first complete kit for a digital clock. The chip used is commercially still on the secret list, but it has been proved to be a success in many applications both in the UK and in the USA. Its functions are a basic six digit clock with 12/24 hour display options (it will switch from 12-24 and back at any time). The timing frequency used is the mains 50Hz but it is hoped to make a quartz crystal unit available soon. The digits are Sperry type, four are 0.55" and two are 0.33" high. Many other features are available including a reset to zero facility so the clock can be used for elapsed time counting. The kit contains everything except a mains plug at only £29.65 or it available ready built for only £33.65!

This is a really beautifully finished unit—send SAE for details.

## CHIPS & DISPLAYS

Our complete range of chips and displays is always expanding and advertisements cannot keep pace with this expansion. See the latest issue of Practical Electronics and Electronics Today International for our stocks as at the time of placing these adverts. For the latest product news telephone us.

## DIGITAL WATCHES

The CT6002 chip is available built into a complete digital watch module complete with everything except case—no soldering to do, the module is actually running when you get it! CT6002/M £92.60.

VAT: ALL PRICES EXCLUDE VAT.

P & P 10p. DATA — SAE.

**BYWOOD ELECTRONICS, 181 Ebbens Road, Hemel Hempstead, HP3 9RDB.**

**Tel: 0442-62757**

## "SLO-SYN" 3-LEAD SYNCHRONOUS STEPPING MOTOR



Type SS15. These fine motors are easily reversed, starting and stopping in less than 5" without electrical or mechanical braking. Simple relay circuit can be applied to give DC., to winding for a maximum holding torque of 300oz/in with 35v at 0-35 amps through winding. For A.C. (synchronous) operation at 120v, 50Hz. Speed 60 rpm at 60Hz, 72 rpm STEPPING. Holding torque at 50 steps per second—100 oz/in. Can be wired to give 100 or 200 steps per revolution with accuracy of 0.1° per step non-cumulative. Torque characteristics can be modified by simple R.C. circuits. Dimensions: dia. 4", body length 4 3/4", spindle length 2 1/2" x 1/8" dia. Weight 6 1/2 lbs. BRAND NEW in maker's packing. Offered at less than 1/2 maker's price.

**OUR PRICE ONLY £15**

## NORPLEX

Fibre-glass copper-clad laminate. Finest quality epoxy resin base. Heat resistant, ideal for P.C.'s Sizes: 12" x 12", 24" x 12", 24" x 24"; FULL SHEET 43" x 37" (11 sq ft). Single-sided Copper with thickness of 1/32", 3/64", 3/32". Also double-sided 1/32", 1/16", 3/32", 1/8" per sq ft. Cut sizes (1-10 sq. ft.) 25p. P & P. Full Sheet £8 each. Carr. £1 for 1st sheet plus 25p each additional sheet.



## SMITHS RINGER-TIMER

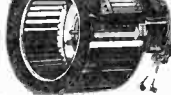
Reliable 15 minute times, spring wound (concurrent with time setting) 15 x 1min divisions, approximately 1/2" between divisions. Panel mounting with chrome bezel 3 1/2" dia. £1.40. 15p P. & P.

## KNOWLE (U.S.A.) MINIATURE MICROPHONE CAPSULES

Impedance approx. 200Ω, output 60 or 80 dB at 1 Kc. As used in deaf aids, buffering devices, etc. Size (60 DB) 7/32" x 5/32" x 1/4"; (80 DB) 3/4" x 5/32" x 1/4". Ex-equipment, all tested. £1.20 each. P. & P. FREE.

## Ultra PRECISION CENTRIFUGAL BLOWER

by Air Control Ltd.



30 segments individually balanced in heavy cast alloy case. 2,300 r.p.m. 240 A.C. Very powerful and silent running. 5 1/2" dia. 3" inlet dia. Outlet flange 3" x 2 1/2". LIMITED NUMBER ONLY £8.95. P & P 40p.

## MAINS SOLENOID

This little unit gives vertical lift of approximately 1" through hinged 'e i b o w'. Bracket incorporates 2 fixing screws. Length of arm. 2 1/2". 240V A.C. Pull at coil is approximately 1lb. £1. FREE P. & P. Special quotes for quantities.

## SOLENOIDS by WESTOOL

240AC type MM6. 3lb. pull, 2 1/2" x 1 1/2" x 1 1/2". Travel 1". 90p each. P. & P. 10p. 240AC type MM4. 2lb. pull. 1 1/2" x 1 1/2" x 1 1/2". Travel 3/4" 70p each. P. & P. 10p. Quantity discounts: 10-50 10%, 50 upwards 25%.

## OPEN FRAME shaded pole GEARED MOTORS

(Dural gear case) 240 A.C., 28rpm. NEW HIGH TORQUE, approx. overall size: 3 1/2" x 3 1/2" x 2 1/2" + spindle 1/2" dia. as illustrated. £2.70. P. & P. 30p. Similar to above, 19rpm. £2.70. P. & P. 30p. 110rpm with pressed steel gear case (similar to above but slightly smaller). £2.70. P. & P. 30p.

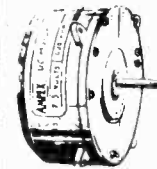
## SILVANIA MAGNETIC SWITCH

Now complete with reference magnet!



A magnetically activated switch, vacuum sealed in a glass envelope. Silver contacts, normally closed. Rated 3amp at 120v, 1amp at 240v. Size: (approx.) 1 1/4" long x 1/2" dia. Ideal for burglar alarms, security systems etc., and wherever non-mechanical switching is required. 10 for £2.10; P. & P. 15p. 50 for £8.80; 100 for £15.50. FREE P. & P. over 10.

## AMPEX 7.5v. D.C. MOTOR



An ultra precision tape motor designed for use in the AG20 portable recorder. Torque 450GM/CM. Stall load at 500ma. Draws 60ma on run. 600rpm ± speed adjustment. Internal A/F/R/F suppression 1/2" dia. x 1" spindle, motor 3" dia. x 1 1/2". Original cost £16.50. OUR PRICE £3.30. P. & P. 25p. Quantity available. Mu-metal enclosure available 75p each. FREE P. & P.

**ALL PRICES INCLUDE V.A.T.**

Whilst we welcome official orders from established companies and Educational Departments, it is no longer practical to invoice goods under £5. Therefore, please remit cash with orders below this amount.

**ELECTRO-TECH COMPONENTS LTD.**

315/317, EDGWARE ROAD, LONDON, W2.  
Tel: 01-723 5667 01-402 5580

be tolerated for a receiver that does not tune well, to avoid adjacent channel interference. An electrolytic is usually coupled in the discriminator circuit and this must be removed for curve A to show properly.

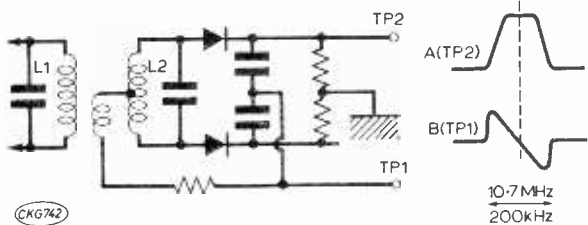
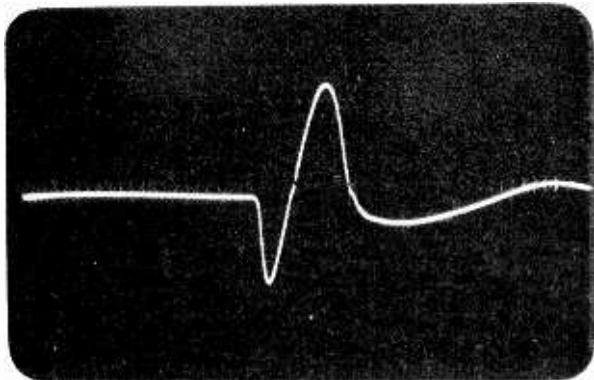


Fig. 5: Response curves of FM detector stage.

The sweep frequency can be in the audio band as this is, after all, how the discriminator will be used. The wobbulator output is applied to the grid of the last IF amplifier via a 4.7kΩ resistor. The discriminator coil L<sub>1</sub> is then adjusted to bring curve A to a maximum amplitude at 10.7MHz. The discriminator secondary L<sub>2</sub> is set so that the response B is symmetrically displaced about the 10.7MHz line. The wobbulator can then be introduced to the anode circuit of the frequency changer by wrapping a few turns of wire round the frequency changer valve, coupled to the inner core of the wobbulator signal lead. The IF cores are then trimmed to produce the required bandwidth.



Wobbulator response of poorly aligned domestic FM receiver. Response should be symmetrical and free from response outside pass band.

The input signal is kept as low as produces a reasonable trace for producing the curve A, to prevent limiting. The curve B is most faithfully reproduced as if in normal operation with the signal level of the wobbulator such that the IF amplifier

is limiting, as shown by the tuning indicator or the fact that the response curve does not increase in amplitude as the wobbulator output is increased.

With transistor equipment the impedances are much lower so a direct connection must be made to the collector of the frequency changer via a 4.7pF capacitor and 100kΩ resistor in series, as near to the transistor as possible. This is to avoid detuning the first IF transformer.

### RISE TIMES

It is often necessary to know the rise time of an active device (or indeed a passive device, such as a probe) in order that performance limitations can be appreciated. The method is simple enough; just inject a pulse of negligible rise time and measure the rise time coming out.

The best source of very rapid rise time pulses is probably the "mercury relay" type where a coaxial mercury relay alternately charges and discharges a transmission line into a load. With this type of arrangement rise times of only a fraction of a nanosecond are possible. Such a pulse can be used to measure the rise time of an oscilloscope directly and also shows up errors in the delay line. The snag (there is always one!) to this simple type of pulse generator is that a pulse repetition frequency (PRF) of much over 200Hz is very difficult to achieve, giving a dim trace even on a 10kV tube.

Solid state pulse generators using ICs can be easily designed to have rise times of about 9 or 10ns. Fig. 6 shows how a simple pulse generator can be constructed to operate from the output of a signal generator, giving pulses of about 10ns rise time, PRF same as frequency of input. The NAND gates are all in a single 7400 IC. The supply can be a 4.5V flat battery and the whole unit can be built up as a small probe pulse generator. The output of the signal generator is increased until pulses appear at the output and no difficulty should be found in operation. The unit will feed impedances over 5KΩ satisfactorily but a 4.7kΩ limiting resistor should be used with 75ohm cable output. If the wiring is neat and short a very good pulse is obtained up to a PRF of about 1MHz.

When assessing an amplifier the rise time can be shown to be:—

$$T_{amp} = T^2_{SCREEN} - T^2_{PULSE} - T^2_{CRO}$$

where T<sub>SCREEN</sub> is the displayed rise time, T<sub>PULSE</sub> is the rise time of the pulse, and T<sub>CRO</sub> is the rise time of the scope. This assumes that the

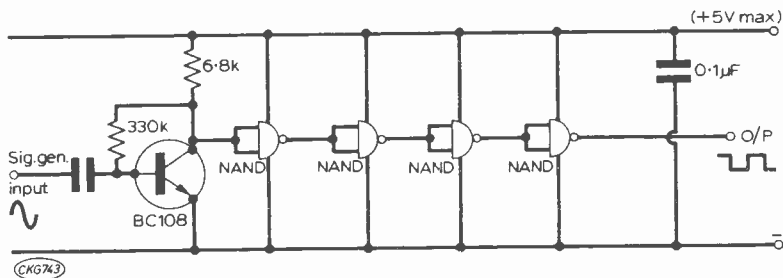


Fig. 6: Basics of a simple pulse generator using a single 7400 integrated circuit. It could be powered from a small 4.5V battery to make a very compact unit or probe.

network has a reasonable group frequency delay, which is usually the case unless tuned circuits are involved to produce other than a "flat" response.



Mercury relay type of pulse generator with rise time of less than 1ns.

In practice T CRO is measured by a mercury pulse generator and T PULSE found by displaying the pulse:—

$$T \text{ PULSE} = T^2 \text{ SCREEN} - T^2 \text{ CRO}$$

These pulse methods can be elaborated ad infinitum but the above relationship is the one to remember and in most cases will prove to give the required results to a fair degree of accuracy.

### CONCLUSIONS

These few examples have served to give a little insight into the use of the oscilloscope. Of course there are many more applications and one field that we have not even been able to touch on is television, where perhaps the oscilloscope is used more than anywhere else. However, most of the uses in television involve the display and measurement of signals in very much the same way as we have considered earlier, the main difficulty being in the interpretation of the results displayed. In this series we have looked at various aspects of design, calibration and operation of oscilloscopes that are typical of those in everyday use in amateur laboratories and workshops and in industry. Armed with this basic knowledge it is not too difficult to delve further into the more specialised aspects of oscilloscopy and be able to devise the best method of presenting a visual representation of the dynamic operation of a circuit or system.

# TELEVISION

## IN THE SEPTEMBER ISSUE

### MODERN TV POWER SUPPLIES

Considerable changes have taken place in TV receiver power supply arrangements, primarily due to the changeover to the use of solid-state line output stages. With these it is necessary to have a stabilised h.t. supply, and a number of different ways of obtaining this are now in use. In this issue we shall start to investigate the power requirements of the latest generation of TV sets and the arrangements that have been devised to meet them.

### AUDIO IC's FOR TV

One of the simplest ways of improving the audio for a TV set is to use an audio IC. Up to 5W can be obtained from the TBA800 and 7W from the TBA810S. Circuits and other details of these interesting devices—which can also be used as field output stages—are given.

### THYRISTOR LINE OUTPUT STAGES

One of the most novel circuits to be found in recent 110° colour receivers—usually of Continental origin—is the thyristor line output stage. At first sight the circuit looks rather baffling and its mode of operation is certainly unusual. A brief and to-the-point account of how it operates will be given.

### BRC 3000/3500 CHASSIS POWER UNIT

The unique power circuit used in this frequently encountered chassis consists of a series chopper transistor driven by a monostable whose mark-space ratio is varied to provide the regulating action. A description of how the circuit works will be given together with common faults and fault-finding methods.

### PLUS ALL THE REGULAR FEATURES

TO .....  
(Name of Newsagent)

Please reserve/deliver the SEPTEMBER Issue of TELEVISION (25p) and continue every month until further notice.

NAME .....

ADDRESS .....



# IN NEXT MONTH'S PRACTICAL WIRELESS

## STARTING IN THE OCTOBER ISSUE

Want to know who stocks what in electronic components? Are you sometimes confused over carriage and V.A.T. charges? Do you want a permanent listing of component suppliers? Can you identify circuit symbols and know what to ask for when ordering? All these questions plus a few more will be answered in the next four issues of Practical Wireless.

In the October issue will be the first half of the Practical Wireless Buyers' Guide—aimed to help you with your component purchasing problems, designed for quick and easy reference, ideally made up into a handy book to keep by your work bench or on the bookshelf.

You cannot afford to be without it if you are a project designer or constructor. For the very first time we bring to you, at no extra cost, a detailed reference to component buying that is added to the magazine.

**IT WILL CONTAIN COLOUR ILLUSTRATIONS, TOO!**

**EXTRA!**

**BUYERS' GUIDE TO RADIO & ELECTRONIC COMPONENTS 1974**

PRESENTED WITH 'PRACTICAL WIRELESS' OCTOBER 1974

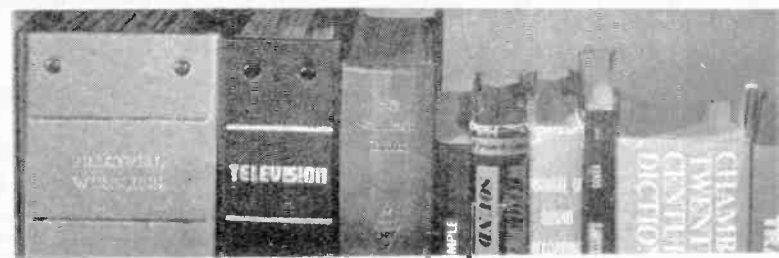
# PW SANDOWN f.m. stereo TUNER

A high-sensitivity VHF/FM tuner design with separate DC-linked control panel for easier fitting to your hi-fi furniture.

Features include Manual and Push button tuning, switched AFC, Mode and Squelch plus Signal-strength and Tuning meters and Stereo beacon. Use of IF and Decoder ICs simplifies alignment.

## also:- THREE CHANNEL AUDIO MIXER

Using an integrated circuit, this simple unit provides facilities for combining signals for tape recording, electronic music production or microphone/music mixing.



**MANY OTHER CONSTRUCTIONAL ARTICLES AND FEATURES. ON SALE IN SEPTEMBER**

The above details are subject to the national industrial situation at the time of going to press.



## PART 1



**A**FTER listening around the short wave bands on various transistorised receivers it is very evident that they were all prone to an effect known as "cross-modulation". Transistors have a very limited linear input characteristic compared to valves so that early stages in a transistorised set are easily overloaded by strong input signals.

The resulting non-linearity causes strong signals to be impressed upon weak ones even when the two signals are widely spaced in terms of frequency. Two or more strong signals will combine to produce more spurious signals and the general impression is of reduced sensitivity in the presence of strong signals.

The early tuned stages should be capable of rejecting unwanted signals but strong signals can be found to exist on the leads of the transistors themselves by direct pick-up, thus driving them into non-linearity. This effect is not unknown to users of solid state hi-fi equipment when broadcast or TV signals break through from local or semi-local transmitters.

Valves can tolerate input signals of the order of volts before becoming non-linear compared to the few hundred milli-volts of transistors. To the best of my knowledge nobody has yet come up with a practical design for a transistorised receiver front-end that can equal the performance of, say, a valve series-cascode circuit using a common ECC84 and conventional components. To listen round on a receiver so equipped is a revelation, the bands seem to go quiet as the spurious teletype and jamming stations disappear and weak stations can be copied in the presence of strong signals on adjacent channels.

Transmitting radio amateurs are well aware of the problem of cross-modulation, even more so now with the rapid increase in the use of imported transceivers which are generally solid state except for the odd valve or two in the transmitter section. It is interesting to see that one of the latest designs, the FT501, has resorted to a valved front-end using the old fashioned 6BZ6 and 6U8! Nuff sed!

It must be remembered that the mixer stage of a superhet is sometimes the culprit in cross-modulation

problems especially if it is preceded by an RF amplifying stage. With an efficient mixer stage an RF stage should not be required. While pentodes and triodes can be used to advantage in front-ends there is another valve, the beam deflection valve, that is even better as a mixer. The 7360 appeared around 1960 but the later and current 6JH8 has better characteristics and is considerably cheaper.

Bill Squires W2PUL repeated (QST September 1963) the principles outlined by Goodman in 1957 that a receiver capable of preventing cross-modulation and overload should have:—

As little gain as possible before applying maximum selectivity.

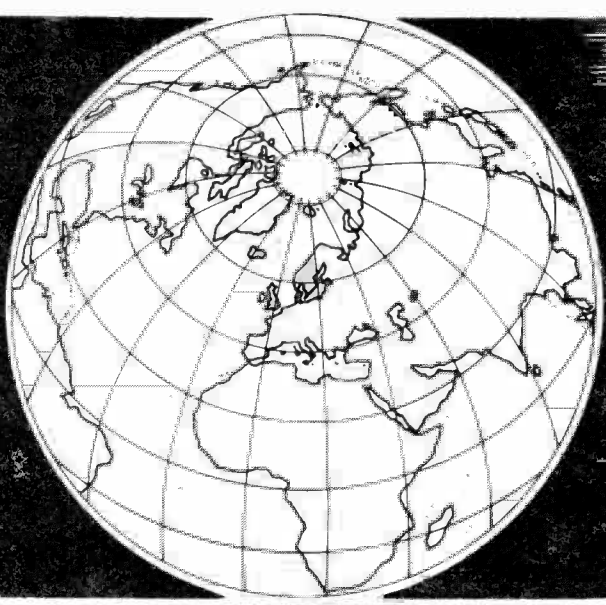
Excellent linearity in any stage preceding the selectivity.

Squires therefore concluded that the ideal receiver should not have an RF stage, as few conversions as possible and that the mixer should be a linear device like a Class A amplifier . . . "conventional mixers perform only because they are non-linear . . . the local oscillator swinging the tube from nearly zero bias to nearly cut-off and no tube is linear near cut-off or near zero bias. As long as the signal is very small compared to the local oscillator voltage the mixer is quite linear but when the signal grows large violent cross-modulation occurs".

He went on to describe a mixer stage using the 7360 in which mixing takes place by switching the valve's electron stream between two anodes by means of deflector plates driven by the local oscillator voltage. See valve symbol V1 in Fig. 2. Up to the deflector plates the valve resembles a conventional pentode.



GENERAL  
RANGE



ERIC DOWDESWELL  
G4AR

SHORT  
WAVE  
RECEIVER

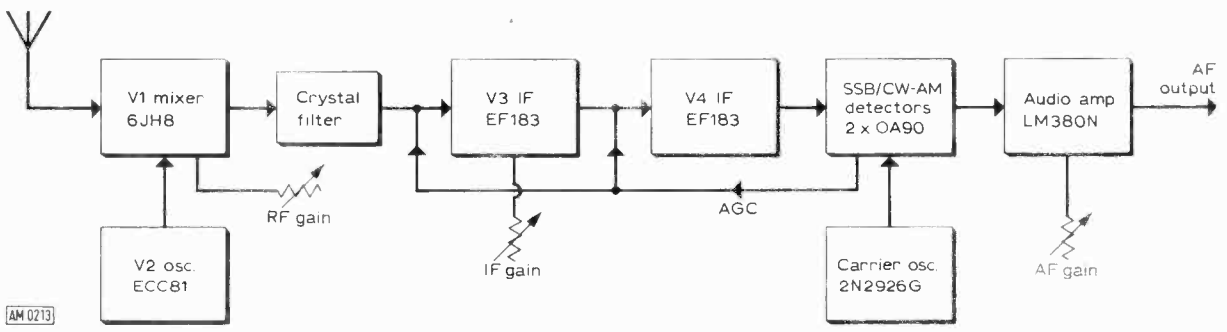


Fig. 1: Block diagram to show the functions of the various stages in the receiver.

W2PUL again . . . "since the two output anodes can be operated in push-pull the valve can be inherently balanced against the input signal frequency, hence good IF rejection".

No RF stage is used with the receiver described here but because of the problem of second channel interference (signals  $2 \times$  intermediate frequency from signal frequency) a much higher IF is required than the conventional 455kHz. In this design the IF is 5.5MHz, second channel now being 11MHz away from the signal frequency and adequately attenuated by two tuned circuits at signal frequency. Several circuits and much useful information on the 7360/6JH8 can be found in Pat Hawker's book, *Amateur Radio Techniques* published by the RSGB.

THE DESIGN

The circuit used in the "Epsom" is a hybrid one, using valves in the mixer and two IF stages, where linearity is important, and the first oscillator stage. Diodes are employed in the switchable AM or SSB/CW detector while the associated carrier insertion oscillator (CIO) uses a transistor. The single audio stage utilises an LM380N integrated circuit. The general arrangement is shown in Fig. 1.

In detail, it will be seen from Fig. 2 that the signal passes via the 5.5MHz IF signal trap L1/C1 to the

two capacity coupled tuned circuits L2/VC1 and L3/VC2 which feed the signal grid of the 6JH8 mixer V1. Three pairs of plug-in coils cover the whole of the tuning range. The first oscillator V2, an ECC81, employs the very effective cathode coupled oscillator circuit, Fig. 4. Harmonic content is low and a minimum of components contributes to good stability.

The oscillator tuning range is 8 to 18MHz only, no bandswitching being required, the oscillator frequency being added to or subtracted from the input signal frequency in the mixer stage to produce the intermediate frequency of 5.5MHz thus:—

MHz	Osc. Tuning Range
Signal Tuning Range	MHz
2.5 to 12.5	+5.5MHz=8 to 18
13.5 to 23.5	-5.5MHz=8 to 18

The gap between 12.5MHz and 13.5MHz does not contain any broadcast or amateur band. There is also a gap in the tuning around the set's IF of 5.5MHz but again this is not an important part of the short wave spectrum. Another important aspect of this method of mixing is mentioned later when discussing side-band switching.

The oscillator voltage, approx. 3V RMS, is applied to the deflection plates of the mixer. A balanced circuit is desirable here but the practical difficulties

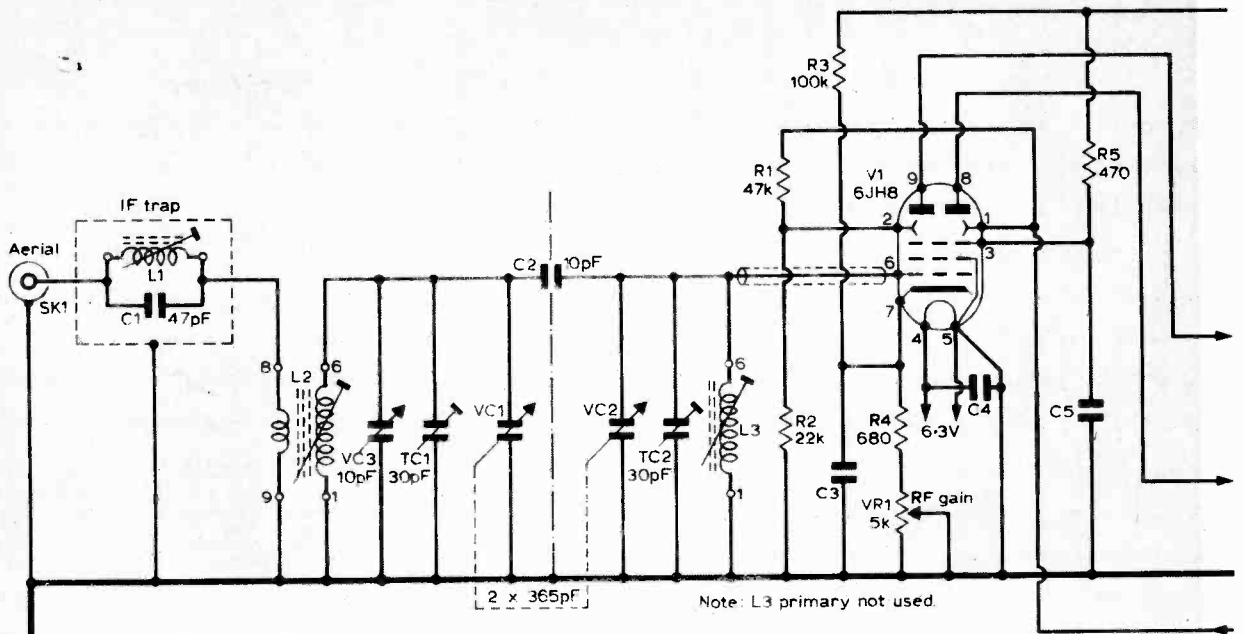


Fig. 2: The input signal is fed to the 6JH8 beam deflection mixer stage via an IF trap and two tuned circuits. The injection voltage applied to the deflection plates is derived from the first oscillator stage, Fig. 4.

AM 0214

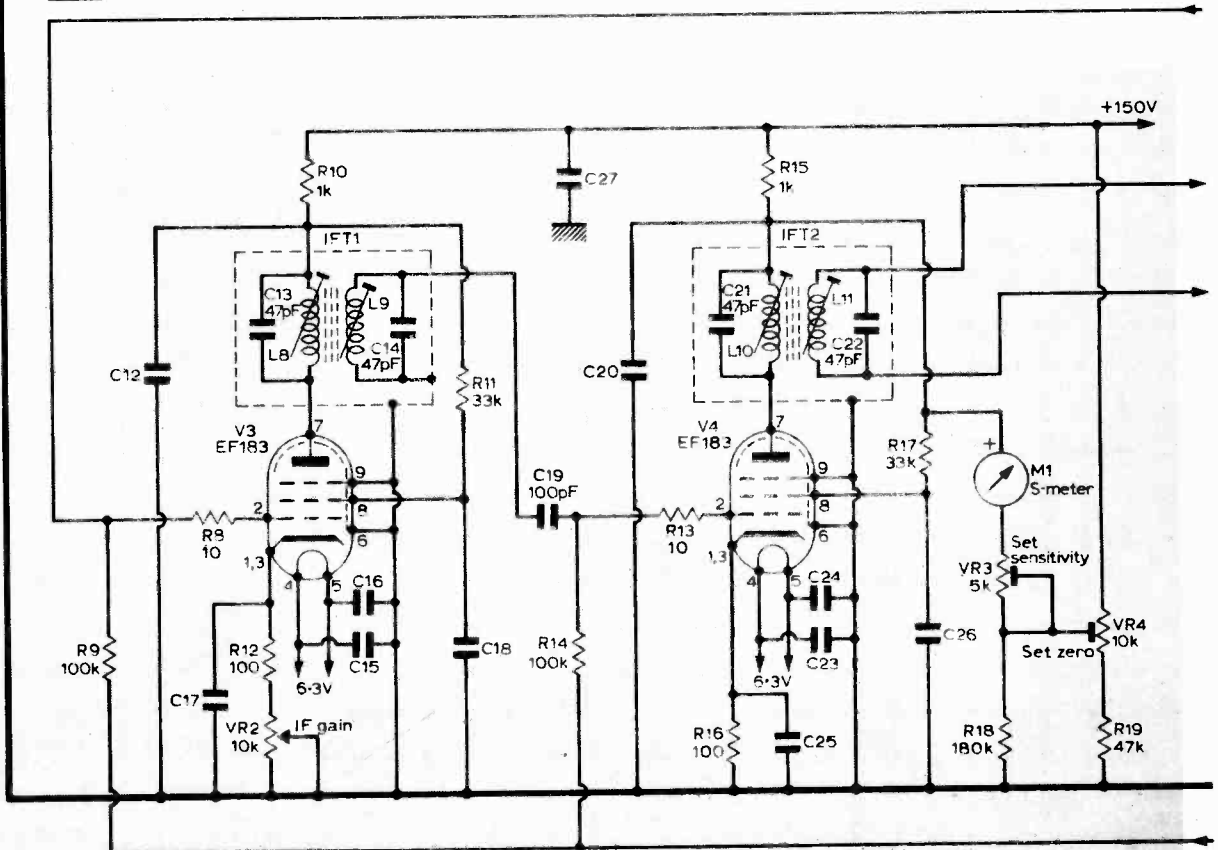


Fig. 3: The low-level signal from the filter is amplified by this two stage amplifier operating at 5.5MHz. Its gain can be controlled manually and by the AGC voltage on AM reception.

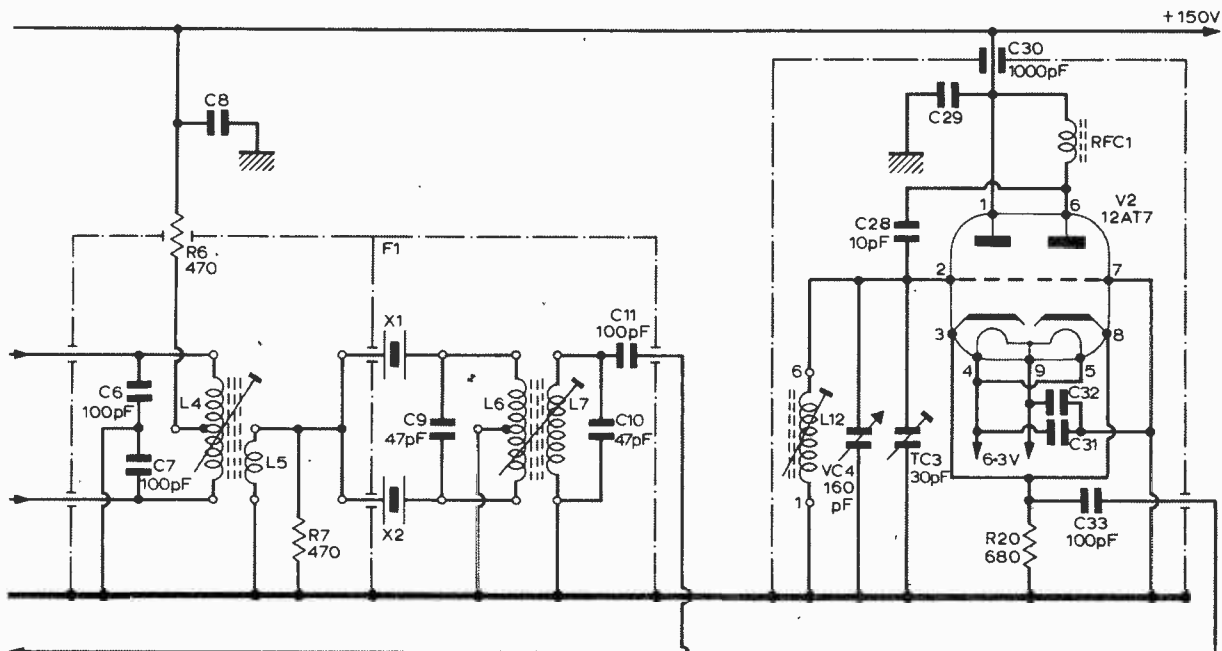


Fig. 2a: The output of the mixer stage, left, feeds into this half lattice crystal filter at 5.5MHz. Input and output circuits must be screened from each other to prevent signal leakage round the filter.

Fig. 4: The first oscillator stage uses very few components. Stability is improved by the absence of any bandswitching complications.

4M 0215

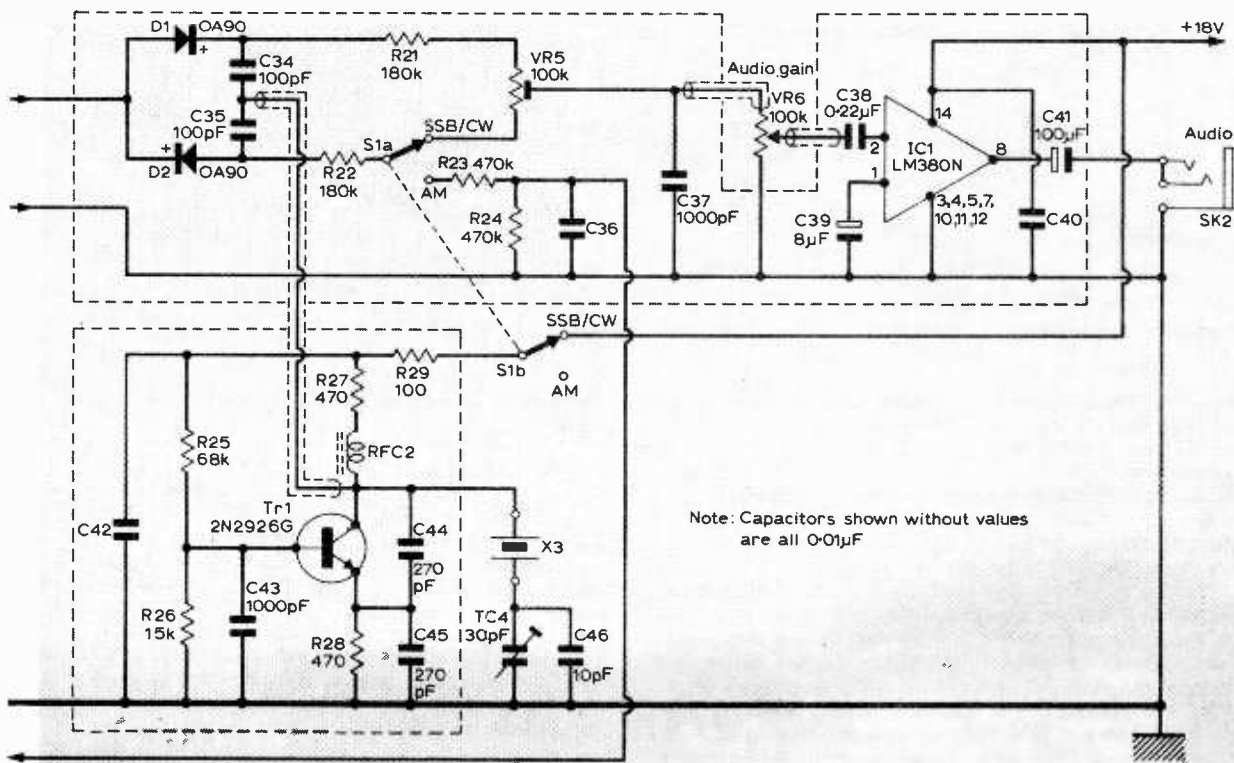


Fig. 5: The output of the IF amplifier, left, feeds a diode detector switchable for optimum operation on SSB/CW or AM reception. The resultant audio is amplified by the LM380N audio IC. The carrier insertion oscillator Tr1 operates only on SSB/CW.

## ★ components list

### Resistors

R1 47kΩ	R11 33kΩ	R21 180kΩ
R2 22kΩ	R12 100Ω	R22 180kΩ
R3 100kΩ	R13 10Ω	R23 470kΩ
R4 680Ω	R14 100kΩ	R24 470kΩ
R5 470Ω	R15 1kΩ	R25 68kΩ
R6 470Ω	R16 100Ω	R26 15kΩ
R7 470Ω	R17 33kΩ	R27 470Ω
R8 10Ω	R18 180kΩ	R28 470Ω
R9 100kΩ	R19 47kΩ	R29 100Ω
R10 1kΩ	R20 680Ω	

All 5% or 10% and  $\frac{1}{4}$  or  $\frac{1}{2}$  watt

VR1 5kΩ lin.	VR2 10kΩ itin.	VR3 5kΩ lin. preset
VR4 10kΩ lin. preset	VR5 100kΩ lin. preset	VR6 100kΩ log.

### Capacitors

C1 47pF SM	C16 0.01μF DC	C31 0.01μF DC
C2 10pF SM	C17 0.01μF DC	C32 0.01μF DC
C3 0.01μF DC	C18 0.01μF DC	C33 100pF SM
C4 0.01μF DC	C19 100pF SM	C34 100pF SM
C5 0.01μF DC	C20 0.01μF DC	C35 100pF SM
C6 100pF SM 5%	C21 47pF SM	C36 0.01μF DC
C7 100pF SM 5%	C22 47pF SM	C37 1000pF DC
C8 0.01μF DC	C23 0.01μF DC	C38 0.22μF DC 25V
C9 47pF SM	C24 0.01μF DC	C39 8μF 25V
C10 47pF SM	C25 0.01μF DC	C40 0.01μF DC
C11 100pF SM	C26 0.01μF DC	C41 100μF 25V
C12 0.01μF DC	C27 0.01μF DC	C42 0.01μF DC
C13 47pF SM	C28 10pF SM	C43 1000pF SM
C14 47pF SM	C29 0.01μF DC	C44 270pF SM
C15 0.01μF DC	C30 1000pF FT	C45 270pF SM
	C46 10pF SM	

DC=Disc Ceramic 250V SM=Silver Mica

FT=Feedthrough

VC1/2 2 x 365pF (Jackson 02) VC3 10pF variable

VC4 160pF variable (Jackson Wavemaster 92/057/160)

TC1/2/3/4 30pF airspaced trimmers, beehive type

### Semiconductors

D1/2 OA90	IC1 LM380N	Tr1 2N2926G
-----------	------------	-------------

### Valves

V1 6JH8*	V2 ECC81 (12AT7)
V3 EF183	V4 EF183

\* obtainable from Electronic Component Supplies, Thames Avenue, Windsor, Berks.

### Crystals

X1 5.5008MHz X2 5.5024MHz X3 5.5000MHz

Nominal frequencies. A kit of the three crystals (Type HC6U) with holders is available from Senator Crystals, 36 Valleyfield Road, London SW16 2HR for £7.43 inc. VAT and P/P. Kit reference SC/PW/533

### Inductors

L1 see text  
L2/3 'Blue' Ranges 3, 4 and 5, two of each. (Denco miniature dual purpose)  
L4/11 see text  
L12 'Blue' Range 4 (Denco miniature dual purpose)  
RFC1/2 RF choke 2.5mH miniature, ferrite core

### Metalwork

Aluminium cabinet and panel (12 x 7 x 7in.) (Type W)  
Chassis 9 x 6 $\frac{1}{2}$  x 2in. but see text

Aluminium box with lid 3 x 2 x 1in. (1 off) 4 x 2 $\frac{1}{2}$  x 1 $\frac{1}{2}$ in. (1 off)

Screens from 18swg aluminium 15 x 1 $\frac{1}{2}$ in. with  $\frac{1}{4}$ in. flange.

Panel bracket 4 x 4in.

The above metalwork is available from H. L. Smith & Co. 287 Edgware Road, London W2.

### Miscellaneous

Valveholders B9A (ceramic or PTFE) with skirt and screen (4 off) without skirt (2 off). Switch S1 2 pole 2 way wafer switch. 14 pin DIL socket for IC1. Dial, Eddystone Type 898 or Jackson Type 4103 see text. Slow motion drive (Jackson Type 4511/4). Flexible coupling for  $\frac{1}{4}$ in. spindle.\* Coil formers 1 $\frac{1}{2}$ in. x  $\frac{1}{4}$ in. dia. with square base (Home Radio CR12) and screening cans (CR13) (5 off each). Dust cores (CR19) (7 off). Sk1 coaxial aerial socket. Sk2 stereo jack socket. S-meter 1mA Type MR52P (Henry's Radio). Calibrated knobs (3 off) (H. L. Smith Type F21). Plain knobs (3 off). Screened cable, 4 way. Stand-off insulators (12 off).\*

Veroboard 5 x 1 $\frac{1}{2}$ in. 0.1in. matrix, 2 $\frac{1}{2}$  x 1 $\frac{1}{2}$ in. 0.15in. matrix. Veroboard plain 2 $\frac{1}{2}$  x 1 $\frac{1}{2}$ in. 0.15in. matrix.

\*Available from H. L. Smith & Co.

involved are not easy to overcome. The output circuit of the mixer is kept very carefully balanced however so that any input signal voltages present at the mixer output are cancelled out as far as is possible, as mentioned previously. A small trimming capacitor is sometimes added to one side or the other of the mixer anodes circuit to ensure best balance but it was not thought to be necessary here.

The IF filter unit Fig. 2a is full screened to prevent signal leakage across the filter and comprises two crystals X1 and X2 in a half lattice arrangement, with associated coils. Senator Crystals have agreed to supply a kit of these crystals plus the carrier insertion oscillator crystal X3 and three holders. The crystals are produced to close tolerances and it is hoped thereby that readers will be able to reproduce the results obtained by the author without too much difficulty. Commercial HF crystal filters are very

expensive but perform better, of course, than the simple filter used here.

A feature of this particular receiver is that with a C10 crystal of precisely 5.5MHz and a single tuning range in the first oscillator the calibration problems are very considerably reduced, as will be seen later during the alignment procedure.

The filter output from L7 goes to conventional IF amplifying stages V3 and V4, Fig. 3, using EF183 frame grid valves. "Conventional" is perhaps not quite correct since the IF stages are operating at 5.5MHz! The signal grids are also connected to the AGC line and the gain of V3 can also be varied by the IF gain control VR2. The S-meter monitors signal levels on AM and is operated by V4, the AGC voltage being derived from the signal. IFT1 and IFT2 peak the 5.5MHz IF signal which is then fed from L11 to diodes D1 and D2, Fig. 5, which are switched

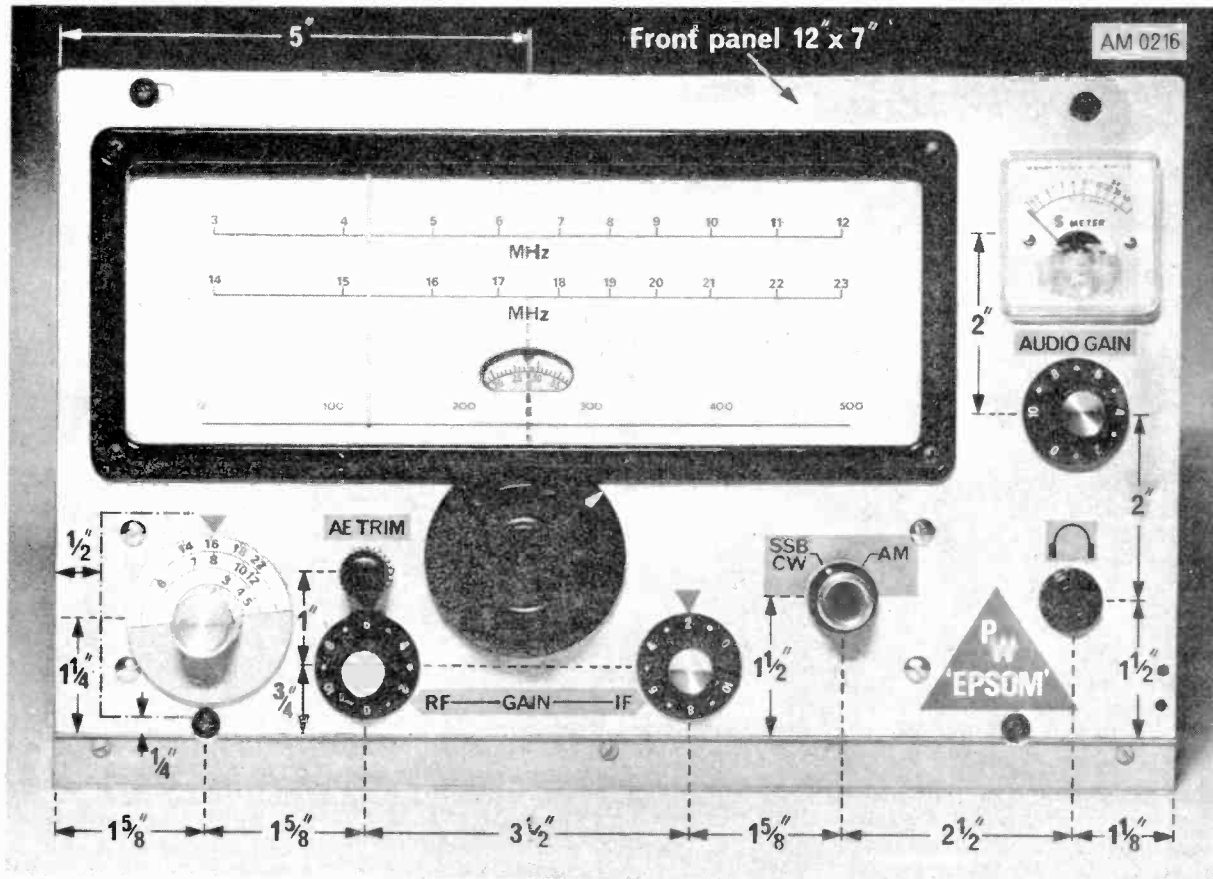
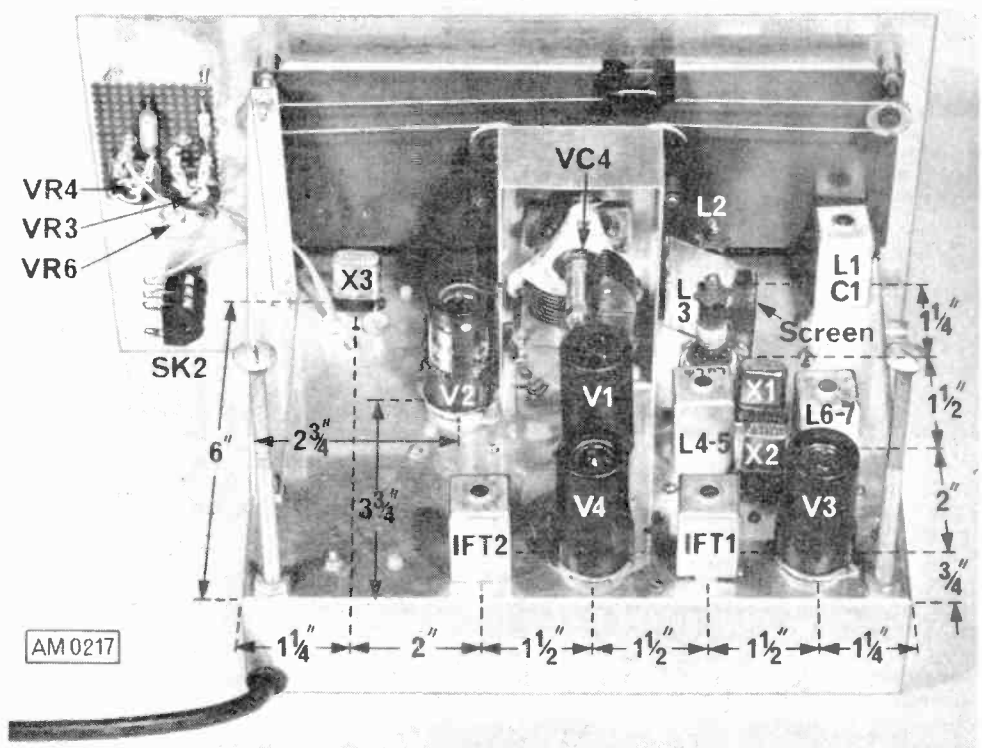


Fig. 6: above. Location of the components mounted on the panel is shown in this photograph. The left hand edge of the chassis is indicated to show its position on the panel. Fig. 7: below, identifies the components mounted on top of the chassis. The long bolts, subsequently removed, are of great assistance when working on wiring etc. inside the chassis.



**Sinclair Cambridge kit.**  
**Was £27.45.**

**Now only £14.95!**

(INC VAT)

**You save £12.50!**

**An advanced 4-function calculator in kit form**

The Cambridge kit is the world's largest-selling calculator kit.

It's not surprising – no other calculator matches the Sinclair Cambridge in functional value for money; and buying in kit form, you make a substantial saving.

Now, simplified manufacture and continuing demand mean we can reduce even the kit price by a handsome £12.50. For under £15 you get the power to handle complex calculations in a compact, reliable package – plus the interest and entertainment of building it yourself!

**Truly pocket-sized**

With all its calculating capability, the Cambridge still measures just  $4\frac{1}{3}'' \times 2'' \times \frac{1}{16}''$ . That means you can carry the Cambridge wherever you go without inconvenience – it fits in your pocket with barely a bulge. It runs on ordinary U16-type batteries which give weeks of normal use before replacement.

**Easy to assemble**

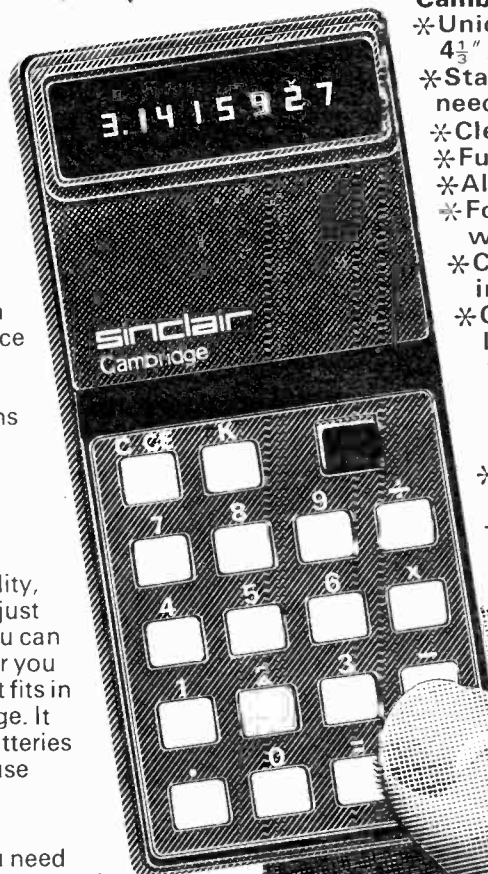
All parts are supplied – all you need provide is a soldering iron and a pair of cutters. Complete step-by-step instructions are provided, and our service department will back you throughout if you've any queries or problems.

**Total cost? Just £14.95!**

The Sinclair Cambridge kit is supplied to you direct from the manufacturer. Ready assembled, it costs £21.95 – so you're saving £7! Of course we'll be happy to supply you with one ready-assembled if you prefer – it's still far and away the best calculator value on the market.

**Features of the Sinclair Cambridge**

- \* Uniquely handy package.  $4\frac{1}{3}'' \times 2'' \times \frac{1}{16}''$ , weight  $3\frac{1}{2}$  oz.
- \* Standard keyboard. All you need for complex calculations.
- \* Clear-last-entry feature.
- \* Fully-floating decimal point.
- \* Algebraic logic.
- \* Four operators (+, -, x, ÷), with constant on all four.
- \* Constant acts as last entry in a calculation.
- \* Constant and algebraic logic combine to act as a limited memory, allowing complex calculations on a calculator costing less than £15.
- \* Calculates to 8 significant digits.
- \* Clear, bright 8-digit display.
- \* Operates for weeks on four U16-type batteries



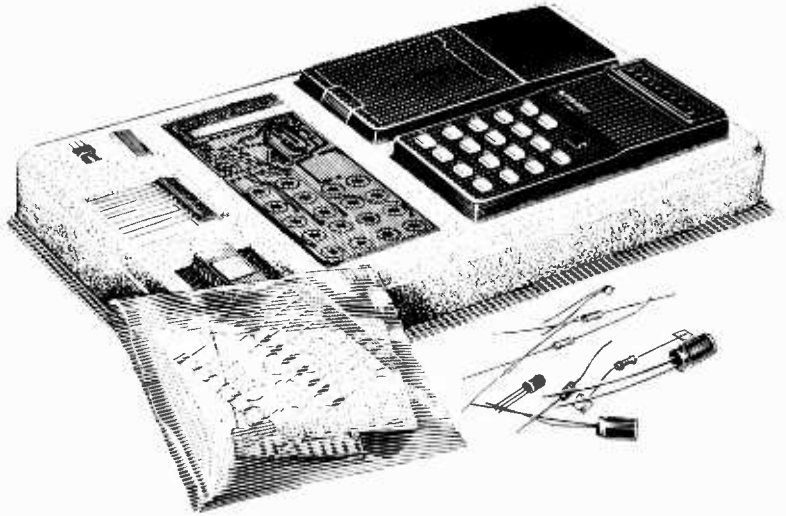


# A complete kit!

The kit comes to you packaged in a heavy-duty polystyrene container. It contains all you need to assemble your Sinclair Cambridge. Assembly time is about 3 hours.

## Contents:

1. Coil.
2. Large-scale integrated circuit.
3. Interface chip
4. Thick-film resistor pack.
5. Case mouldings, with buttons, window and light-up display in position.
6. Printed circuit board.
7. Keyboard panel.
8. Electronic components pack (diodes, resistors, capacitors, transistor).
9. Battery clips and on/off switch.
10. Soft wallet.



## This valuable book – free!

If you just use your Sinclair Cambridge for routine arithmetic – for shopping, conversions, percentages, accounting, tallying, and so on – then you'll get more than your money's worth.

But if you want to get even more out of it, you can go one step further and learn how to unlock the full potential of this piece of electronic technology.



How? It's all explained in this unique booklet, written by a leading calculator design consultant. It's fact-packed 32 pages of explains, step by step, how you can use the Sinclair Cambridge to carry out complex calculations.

# sinclair

Sinclair Radionics Ltd, London Road,  
St Ives, Huntingdonshire  
Reg. no: 699483 England  
VAT Reg. no: 213 8170 88

## Why only Sinclair can make you this offer

The reason's simple: only Sinclair – Europe's largest electronic calculator manufacturer – have the necessary combination of skills and scale.

Sinclair Radionics are the makers of the Executive – the smallest electronic calculator in the world. In spite of being one of the more expensive of the small calculators, it was a runaway best-seller. The experience gained on the Executive has enabled us to design and produce the Cambridge at this remarkably low price.

But that in itself wouldn't be enough. Sinclair also have a very long experience of producing and marketing electronic kits. You may have used one, and you've almost certainly heard of them – the Sinclair Project 80 stereo modules.

It seemed only logical to combine the knowledge of do-it-yourself kits with the knowledge of small calculator technology.

And you benefit!

## Take advantage of this money-back, no-risks offer today

The Sinclair Cambridge is fully guaranteed. Return your kit within 10 days, and we'll refund your money without question. All parts are tested and checked before despatch – and we guarantee a correctly-assembled calculator for one year.

Simply fill in the preferential order form below and slip it in the post today.

**Price in kit form: £13.59 + £1.36 VAT. (Total: £14.95)**

**Price fully built: £19.95 + £2.00 VAT. (Total: £21.95)**

To: Sinclair Radionics Ltd, London Road St Ives, Huntingdonshire, PE17 4HJ		Name
Please send me		
<input type="checkbox"/> a Sinclair Cambridge Calculator kit at £13.59 + £1.36 VAT (Total: £14.95)		
<input type="checkbox"/> a Sinclair Cambridge calculator ready built at £19.95 + £2.00 VAT (Total: £21.95)		Address
*I enclose cheque for £ _____, made out to Sinclair Radionics Ltd. and crossed.		
*Please debit my *Barloycard/Access account. Account number _____		
PW 9/74		
*Delete as required.		
PLEASE PRINT		

by S1 to operate either as a normal diode detector on AM or as a product detector on SSB and CW. In the latter modes the crystal controlled CIO, Tr1, is switched on and fed to the diodes via C34 and C35.

The CIO crystal X3 is 800Hz lower in frequency than X1 in the filter unit and it is important to note that the change from lower sideband (LSB) to upper sideband (USB) is automatically achieved by the additive and subtractive method of mixing mentioned previously. Thus only one CIO crystal is required. Generally LSB is employed below 10MHz and USB above. The precise frequency of X3 is adjusted by TC4 for best resolution of SSB signals.

The negative AGC voltage is obtained from the detector stage on AM only, being developed across R23 and R24 and fed to the IF stages V3 and V4. An SSB/CW the product detector output is switched across the preset resistor VR5 which can be adjusted to give virtually complete rejection of an AM signal, the null being quite sharp. This adjustment ensures correct operation of the PD on SSB/CW.

From VR5 the audio signal goes to the volume control VR6 before feeding the audio IC. Capacitor C39 on pin 1 of the IC helps to reduce hum and noise on the 18V supply line. (Further information on using the LM380N IC can be obtained from the December 1973 issue of *PW*). The output of the IC is fed via C41 to the panel stereo headphone socket Sk2. The output impedance is low, intended to operate a speaker of 4-16 ohms, but in this case a pair of stereo headphones is used, the units being connected in parallel at the socket. This may be a breakaway from the conventional high impedance headphones generally used with receivers but it is hoped that since stereo headphones are now very commonplace it will induce short wave listeners to use them instead of a loudspeaker!

Another point to note is that the AGC voltage is not applied to the mixer stage since it is very unlikely that it will ever be overloaded! In consequence the usual signal grid DC blocking capacitor and resistor are omitted which means that large blocking voltages cannot build up on the signal grid, such as can occur in the vicinity of a transmitter.

The number of components has been kept to a minimum, only 29 resistors in the receiver proper and 46 capacitors of which 21 are 0.01 $\mu$ F decoupling capacitors! With the exception of components comprising the various tuned circuits (RF and IF) the values of the resistors and capacitors generally are not very critical, an important point in a period of component shortages. Resistor R20 in the cathode circuit of the first oscillator V2 was adjusted carefully for maximum oscillator output to the mixer stage and the value of 680 ohms specified should be used. An attempt has also been made to reduce the number of different values required of resistors and capacitors.

## CONSTRUCTION

Remember that the valves, S-meter and crystals are relatively fragile so do not undertake the drilling or cutting of any holes in the chassis when any of them are in position on the chassis, especially if a power drill is being used. In practice it is unnecessary to touch them at all until after all the wiring is completed and double checked.

When wiring the valveholders fit any old unserviceable B9A based valves into the valveholders. This

## ★ components list

### POWER SUPPLY UNIT

R1	33 $\Omega$ $\frac{1}{2}$ W	C1	350 $\mu$ F 350V
R2	5k $\Omega$ 10W WW	C2	2000 $\mu$ F 30V
R3	100 $\Omega$ $\frac{1}{2}$ W	C3	2000 $\mu$ F 30V
R4	22k $\Omega$ 2W	F1	Fuse 1A
R5	33 $\Omega$ $\frac{1}{2}$ W	F2	Fuse 250mA

### Miscellaneous

D1/2/3, 1N4007. S1, 2 pole on-off. S2, Single pole on-off. Fuseholders (2). Valveholders B7G (2). Cable plug B7G. Panel indicator lamp 6.3V. T1, Transformer 250-0-250V 80mA, 6.3V + 6.3V (Douglas MT1AT). Case 8 x 6 x 6 in. (H. L. Smith & Co. Type U). RV1, voltage stabiliser OA2. Speaker 6 x 4 in. elliptical 8 $\Omega$ , with cable and jack plug. Speaker grill.

*For convenience the components list for the power supply unit is given here. The unit will be described in Part 2.*

will keep the pin sockets in their correct positions and prevent any soldering resin from entering them. Once the wiring to the holders has been completed don't forget to remove the old valves! If construction periods are limited it might be some while before the work is finished and the old valves could be easily overlooked. A short-circuited heater winding could result, or even worse!

The chassis as supplied by H. L. Smith to go with their cabinet and panel is 11 x 6 $\frac{3}{4}$  x 2in which is 2in longer than that used in the prototype. If this chassis is used it is only necessary to keep the various stages in the positions round the edges, as shown in the layout, increasing the length of the leads from the output of the IF strip, L11, to the product detector board. More space will be available in the centre of the chassis and a possible refinement could be the placing of the CIO board and its external components in a separate screened compartment.

The general layout of the components on the chassis and panel is shown in the photographs Figs. 6 and 7, but it is not necessary to copy it precisely provided the usual precautions are taken with screening between stages, short wiring in RF circuits etc. The dial used in the prototype, an Eddystone E898, has seen service on several other bits of equipment over the years and a new one today is rather expensive. The Jackson 4103 dial, available from H. L. Smith Ltd., is a suitable substitute having blank calibration scales as well as a two-speed drive mechanism.

Once the major cut-outs and holes have been made in them the panel and chassis can be bolted together, after ensuring that all burrs on holes have been removed. Then, two 5in bolts, about  $\frac{1}{4}$ in dia, are bolted temporarily to the rear of the chassis top. These are absolutely invaluable in keeping the chassis level when it is upside down for wiring and testing and they need only be removed when the set is finally installed in its cabinet.

The fitting of the main internal screens can be left to the end when all the wiring is finished, small cut-outs being made along the inside edges of the screens as required to clear wiring passing under the screens.

**Part 2 will continue with the construction of the 'Epsom' and also deal with the power supply. The simplified alignment procedure will then be described.**

# Gravitational Waves

MAN has detected various types of waves arriving at the surface of the earth. Until recently all of these waves have been forms of electro-magnetic radiation (radio-waves, infra-red, visible light, ultra-violet rays and X-rays). However, Professor Joseph Weber of the University of Maryland has recently detected a completely new type of radiation known as 'gravitational waves'.

The gravitational waves detected by Weber appear to come from the centre of our galaxy and will doubtless bring us valuable scientific information. Like radio waves, they carry energy and move at the speed of light. Although gravitational waves were predicted by Einstein's work on general relativity, over half a century has elapsed before we have been able to make a practical detector which is sensitive enough to detect them.

## GENERATION

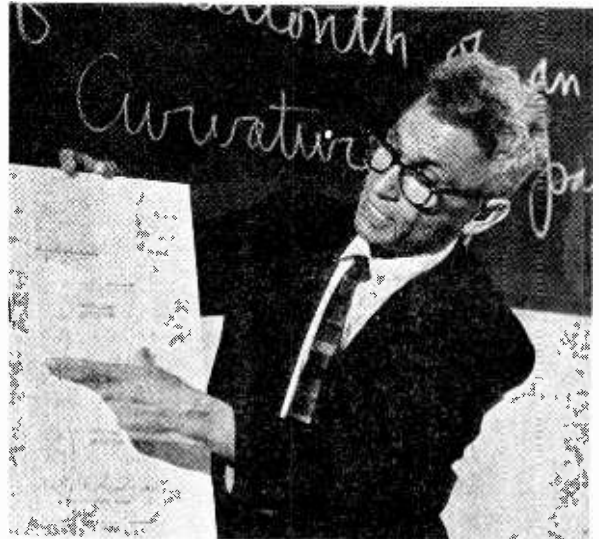
If one wishes to produce an electro-magnetic wave, one must accelerate a charged particle. For example, an electron which is being accelerated in a radio aerial will generate radio waves, whilst an electron accelerated in an atom produces light or another form of radiation. Gravitational waves can be generated by accelerating large masses. It is not possible to generate detectable amounts of gravitational radiation in the laboratory, since one would have to accelerate objects at least as heavy as the earth. One can therefore only build suitable detectors and hope that gravitational waves of an adequate intensity reach the earth from astronomical sources.

Gravitational radiation shows very little tendency to interact with matter and is therefore extremely difficult to detect. A gravitational wave can pass completely through the earth almost unaffected!

## WEBER'S WORK

Weber started his work on gravitational detectors in 1958 but few people thought he had any real chance of being successful. His equipment consists essentially of a large solid aluminium cylinder about five feet in length by two feet in diameter. It is suspended from a wire in a vacuum chamber in order to minimise damping.

When a gravitational wave of about the resonant frequency of the cylinder (1660Hz) reaches the equipment, the cylinder begins to oscillate with an amplitude of less than one hundred million millionth/cm. Although this is less than the diameter



Professor Weber lecturing on his work of detecting gravitational waves. Comparisons are made of charts taken from detectors 1300km apart.

of a proton, Weber has used a system of piezo-electric transducers to convert the oscillations into electrical signals.

Unfortunately the cylinders pick up natural seismic vibrations of the earth and may be affected by other phenomena, such as cosmic rays. In order to eliminate such effects, Weber has set up two detectors 1000km apart; he records a signal only when both cylinders oscillate simultaneously. This occurs about once per day. Such simultaneous disturbances at large distances cannot be due to seismic effects.

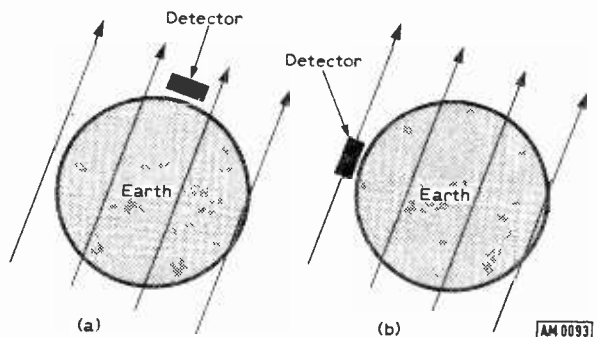
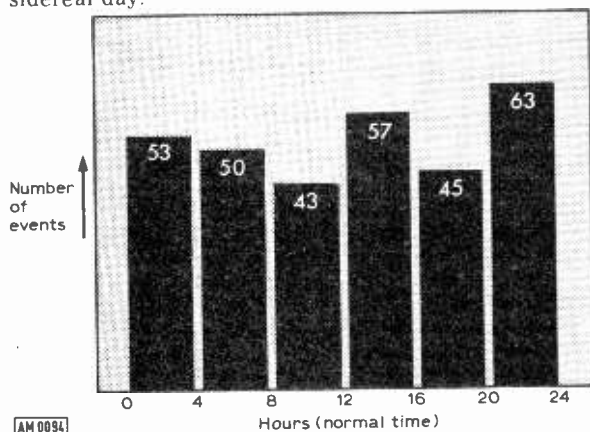


Fig. 1(a): The detector is sensitive to radiation in a direction perpendicular to axis of cylinder. (b) The detector is insensitive in this orientation.

Weber's detectors are sensitive to waves which arrive from a direction perpendicular to the axis of the cylinder, Fig. 1. As the earth moves, the direction of maximum sensitivity scans the universe.

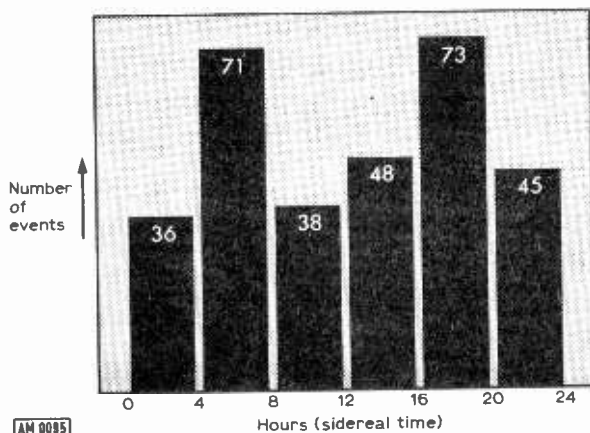
## ORIGIN

Weber found that the detectors did not oscillate more frequently at any particular time of day when the results were averaged over a period, Fig. 2. If, however, the time of the simultaneous oscillations are plotted against sidereal time (that is, the time of the earth's rotation relative to the background of stars), then it is found that the oscillations occur most frequently when the direction of greatest sensitivity of the detector points towards (or away from) the centre of our galaxy. This is shown in the histogram of Fig. 3 where two peaks occur per sidereal day.



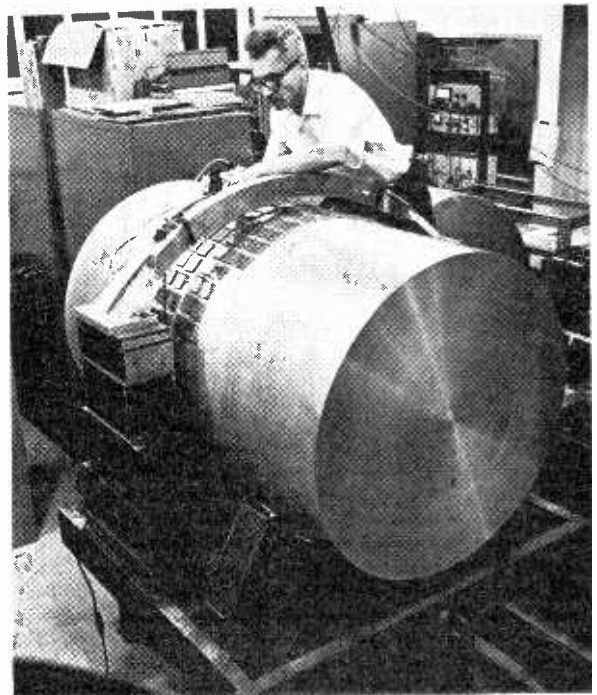
AM 0094  
Fig. 2: The number of events plotted against time of day.

If pulses detected by Weber originate at the centre of our galaxy, the amount of energy emitted in the form of the waves must be enormous; calculations show that waves of this intensity could be generated only by the acceleration of objects of a mass not less than that of the sun. In addition, the



AM 0095  
Fig. 3: This time events are plotted against sidereal or star time.

objects must have a diameter of not more than one hundredth of that of the earth or the emitted waves will not be in phase. The sources must therefore consist of extremely dense matter.



Professor Weber working on one of his detectors. A ring of piezo-electric transducers is mounted round the aluminium cylinder, the whole being suspended by a fine wire from the bridge. In use, the entire detector is mounted in a vacuum chamber. Readers may have seen the Horizon programme on BBC 2 TV which dealt extensively with Professor Weber's investigations and the work of optical astronomers seeking to confirm the existence of "black holes". More recently established gravitational wave detectors, using aluminium drums 12ft. long, have so far failed to confirm Professor Weber's findings.

## NEUTRON STARS

Neutron stars are formed when a star collapses under its own gravitational field to the fantastic density of about one hundred million million grams per cubic centimetre. Neutron stars are almost certainly the 'pulsars' discovered by radio-astronomy; they emit pulses of radio waves spaced very regularly in time. However, it seems very doubtful whether they could emit enough energy as gravitational waves to explain Weber's results.

When a neutron star collapses, theory indicates that it can form a 'black hole' where matter has an infinite density and from which no light or matter can ever escape owing to the intense gravitational field. When a black hole is formed or when two black holes collide to form a single black hole, enormous amounts of gravitational energy may be radiated away which could account for Weber's pulses. Black holes have not yet been definitely identified, but their physics is far more fascinating than anything one can find in science fiction.

The new science of practical gravitational astronomy is being founded. Weber's first results have already had a profound effect on our ideas of cosmology. Other groups of workers in England and elsewhere are now setting up detectors for gravitational waves. It may be possible to use seismic detectors on the moon for the detection of very low frequency gravitational waves.

# HOTLINES

ON RECENT DEVELOPMENTS

## OFF THE RECORD

Probably the major problem in the design of any machinery for recording and reproducing sound is the reduction of speed variations in the mechanical drive—cause of the dreaded wow and flutter. Indeed, it is safe to say that the man who invents a high fidelity recording system completely devoid of moving parts should make his fortune.

What could be the first step towards this goal has been taken at Pye TMC new products division. The secret is a novel system of analogue to digital conversion called delta modulation. Compared with conventional pulse code modulation, where the amplitude of regular samples of the audio waveform is encoded as a twelve-bit pulse train, delta modulation uses only two bits. These convey three "words"—"increase", "decrease" or "no change"—to describe the **change** in audio amplitude since the previous sample. Hence the name of the system.

The circuitry required to perform the conversion is based on four complex integrated circuits designed by Pye TMC. Storage of the modulated information is accomplished by circulating it through a series of shift registers.

The technique is currently being used in a unit which intercepts telephone calls addressed to discontinued numbers and informs the caller of the new number to dial. The Post Office telephone bandwidth of 300Hz to 3.4kHz can easily be handled using a 16kHz data rate and specially designed 4000 bit shift registers.

## QUIET PLEASE

A new audio frequency noise reduction system has been developed by Pan Electronics, a recently formed R and D company with establishments in Germany and the United States.

Operating over the band 10Hz to 20kHz, the system compresses an input dynamic range of 100dB into 50dB before recording or transmission. Precision expanders restore the original range at the reproducing end,

giving up to 50dB improvement in signal to noise ratio. The process is claimed to be suitable for all audio recording and transmission media and also for data links.

So, if any of you were waiting for one of the existing systems to gain universal acceptance before investing in some new hi-fi equipment, a little further patience might be advisable.

## A NEW SAW

Quartz crystal controlled oscillators operating at a fundamental frequency of 720MHz are undergoing evaluation at the GEC-Marconi Electronics research labs.

Instead of the bulk acoustic waves used in traditional crystal oscillators, these devices employ surface acoustic wave (SAW) techniques on a quartz crystal substrate. Experimental devices have proved to be rugged and stable and can be tuned or frequency modulated over a bandwidth up to one per cent of the centre frequency.

The small size of the quartz element would permit complete oscillators to be constructed in a single TO8 transistor can.

Work is continuing to improve the long term stability and to extend the operating frequency range still higher.

## KEEP IT COOL

The problem of preventing thermal runaway in power transistors has been approached in various ways in the past. Generally for full protection a resistor is inserted in the emitter lead and, though this may be very low in value, it inevitably causes some waste of power. Now, a new device called a byistor does away with the need for those emitter resistors.

The byistor contains two components, a diode and a resistor, both fabricated from silicon. The success of the device depends upon its thermal characteristics, which must be an accurate inverse match with those of the power transistor.

As the temperature of a power

transistor is increased the collector current also increases, causing a further rise in temperature etc. The byistor reduces the bias current applied to the transistor as the temperature rises, thereby maintaining the collector current at a steady value. To obtain the accurate thermal match, the diode within the byistor is made using exactly the same material and process as that used for the power transistors it is designed to protect. In use, the device is mounted on the same heat sink as the power transistor, as close to it as possible

## WHAT'S COOKING?

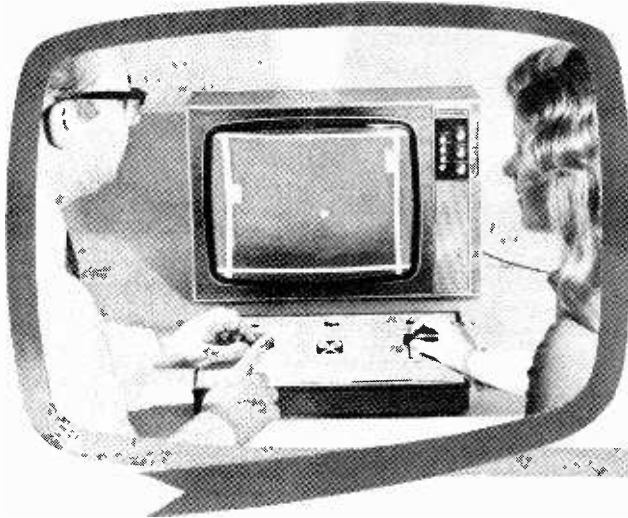
World wide increases in meat prices have prompted the US Army to embark on an investigation into the cooking of roasts. They reckon that home cooking techniques cause 20% less shrinkage than current large-scale methods.

A new oven has been developed having three separate heating systems. Microwave energy at 915 and 2450MHz is used for fast cooking of the interior of the meat whilst infrared elements are used to brown the outside. Pressurised steam is also available for cooking in a conventional hot environment.

Computer calculations of theoretical combinations of method, intensity and time for optimum cooking will be tested in the new oven. The whole procedure will be controlled by punched card.

The objective of the exercise is a saving of up to five per cent in the US government's requirement for roasting beef and comparable economies for other meats. This presumably represents quite a lot of money. If not, it seems an awfully expensive array of hardware to achieve something which millions of housewives do each weekend, almost without thinking about it!

*Novus*



THE POPULAR NEW ELECTRONIC GAME

# TELE- TENNIS

PLAYED ON THE TELEVISION SCREEN

PART 3

This month we cover the construction and setting up of boards A and B which, between them, house the sync pulse generators and the ball and left and right base and bat waveform generators.

## Sync generators

The complete circuitry for board A is shown in Fig. 9. IC1 is the Field sync oscillator which is a 555 timer operating in the astable mode. The nominal frequency of oscillation should be 50Hz and this is controlled by the resistor chain VR1, R1 and R2 together with C2. Field sync pulse-width is set by the value of R1 and should be in the order of 700 $\mu$ S.

Line sync is obtained in an identical fashion from IC2, the only difference being in the frequency of oscillation which is nominally 15.625kHz. VR2 gives a useful adjustment on this frequency to allow for component tolerances and the line sync width is set to approximately 4.7 $\mu$ S by R4.

Individual feeds are taken from the field and line sync generators to control the other waveform generators to be described in this and the next part. The two signals are also combined in an AND gate, IC7b and c, to give a mixed sync signal that is added to the video output just prior to modulation on Board E. Capacitor C1 provides heavy supply rail decoupling on the input pins to board A, as it is some way down the wiring loom from the power supply. The remainder of Board A's circuitry forms the ball waveform generator.

## Ball generator

Monostable IC3 is triggered by the leading edge of the field sync pulse and provides a delay which controls the vertical position of the ball on the screen. This delay can be adjusted between approximately 2 and 18mS either by adjustment of VR3 or a voltage fed to pin 5. In practice VR3 is adjusted to position the ball approximately central on the screen when the ball control voltage ramp (generated on Board D) is in its mid-position.

Referring to Fig. 8 in conjunction with Fig. 9, the variable-width positive going pulse from IC3 is inverted by IC4b and then differentiated by C6 and R9,

## M. J. HUGHES MA

the negative spike being removed by D1. The value of C6 is fairly critical because it is the slope of the trailing edge of the resultant spike that controls the vertical duration (height) of the ball. This spike is fed to a straightforward trigger circuit (IC4d and c with D2 and R10) which is set to trigger at approximately 2.5V. The output of this is a sharp rectangular pulse, occurring at the pre-determined delay after field sync, with a width of about 300 $\mu$ S giving the ball a height equivalent to about 5 lines within one field. The ball's height can be increased by increasing the value of C6 and vice versa.

(All waveform levels are 0V and 5V)

AM 0207

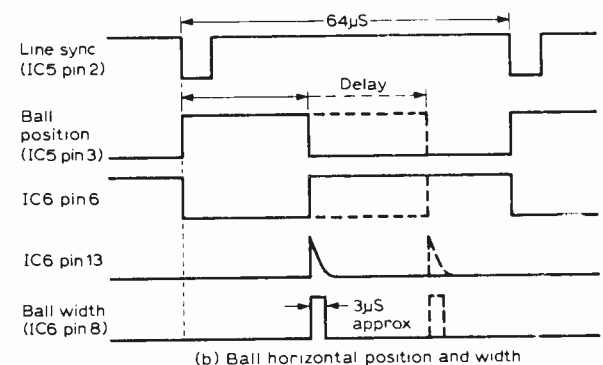
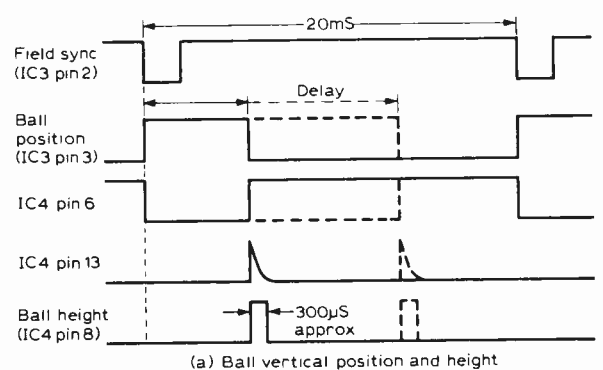


Fig. 8: Typical waveforms for the Sync generators and Ball-forming circuits on Board A.

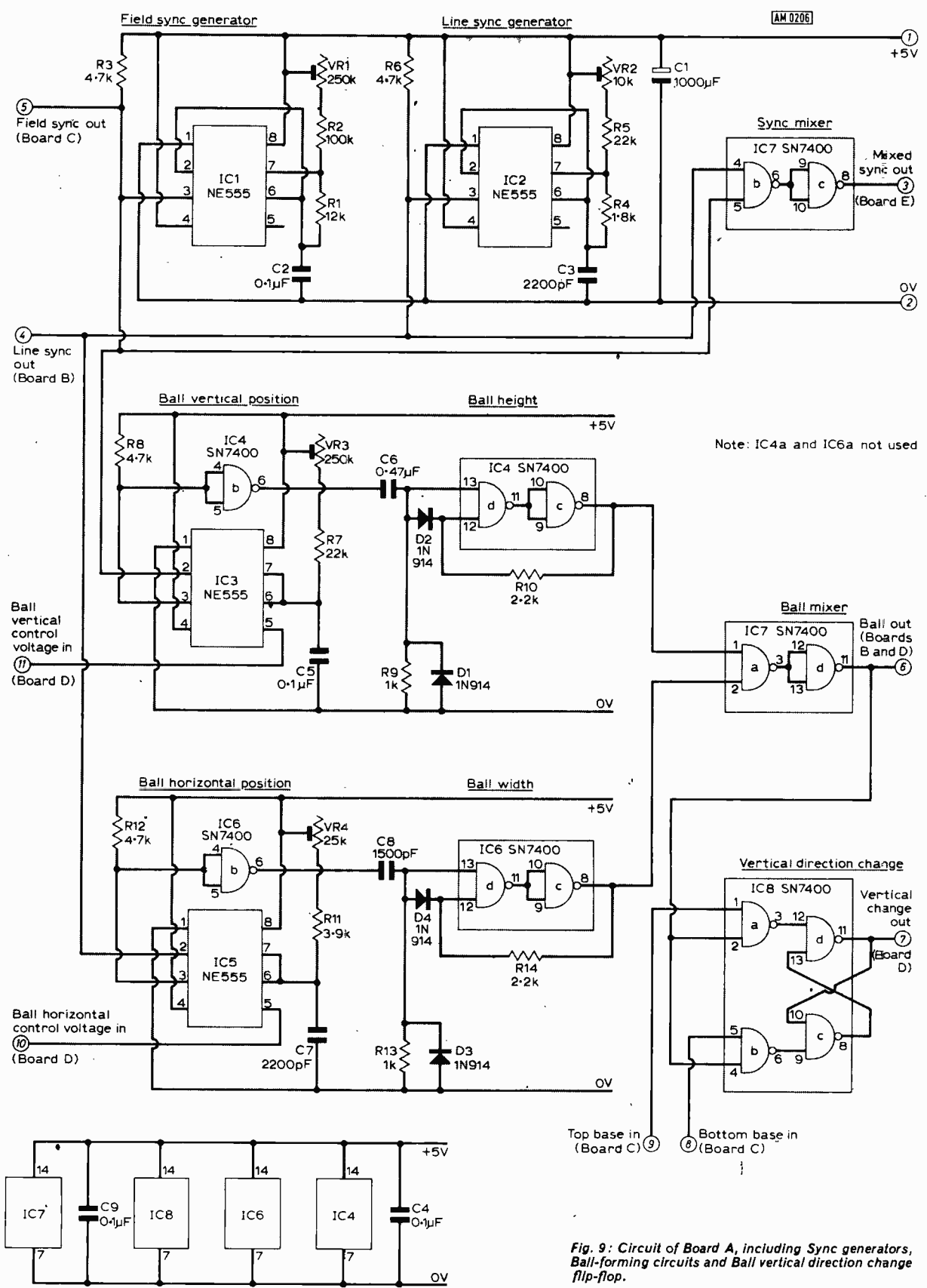


Fig. 9: Circuit of Board A, including Sync generators, Ball-forming circuits and Ball vertical direction change flip-flop.

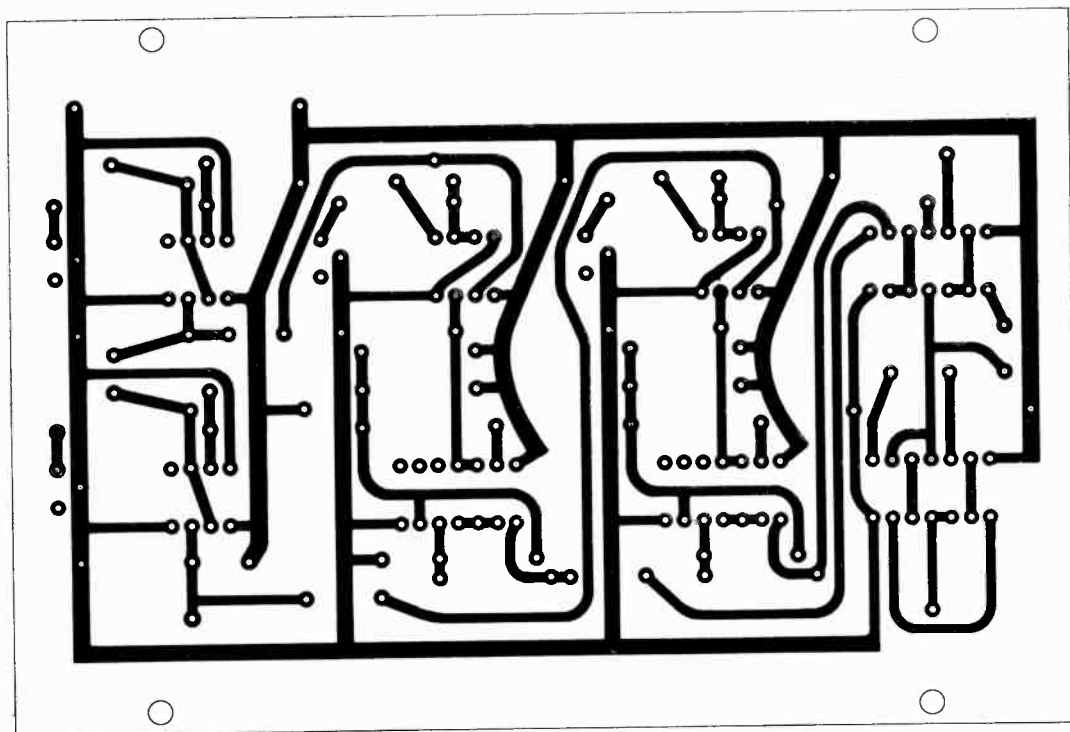
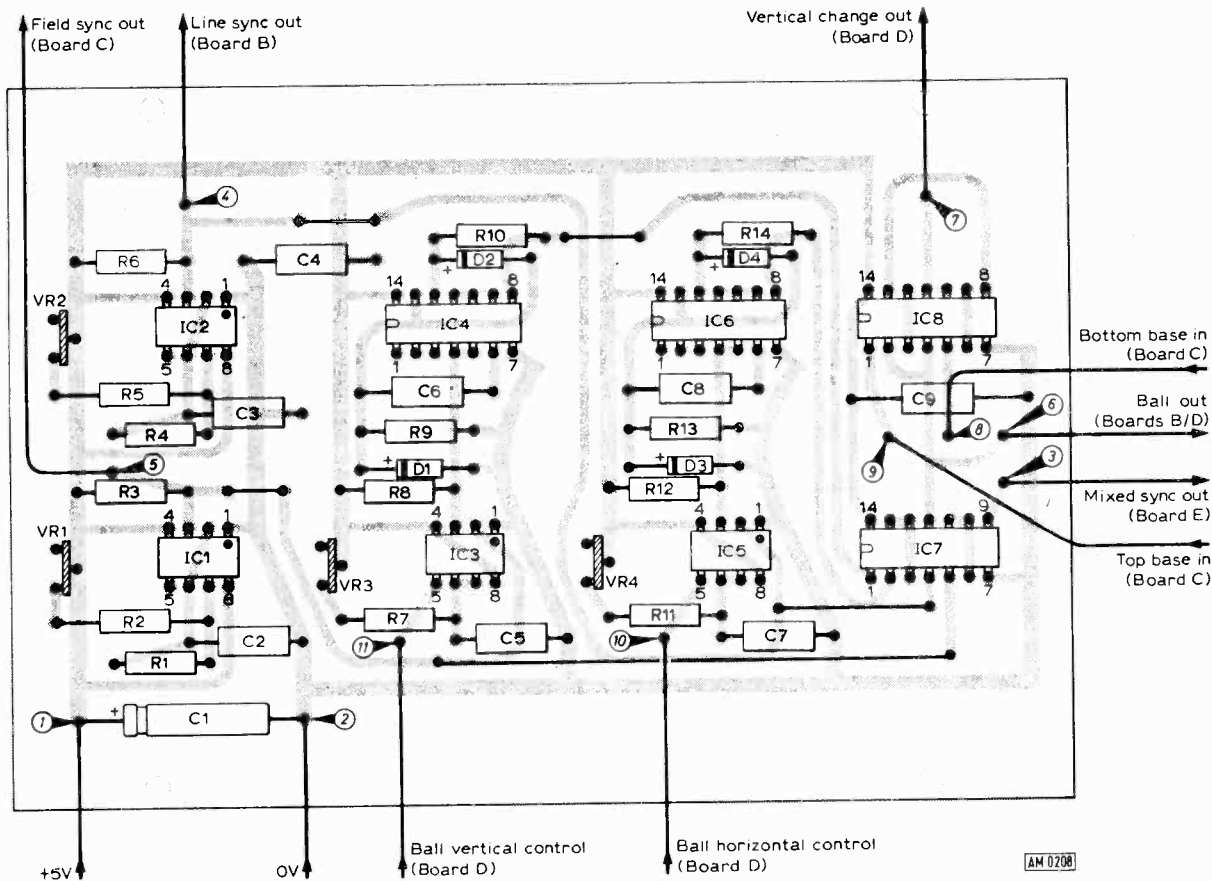


Fig. 10: Actual size layout of Board A and location of components.



The horizontal position and width of the ball is arrived at in like manner. The circuitry is identical and only the timing values differ. The delay is initiated relative to line sync which is fed to pin 2 of IC5. The ball's height and width waveforms are combined in an AND gate (IC7 a and d) which gives a +5V output only when the vertical and horizontal coordinates of the ball are coincident. This signal we designate "BALL" and we shall use this as a temporary test signal later in this part.

## Vertical change

Concluding the description of Board A, IC8 forms a gated RS flip flop which provides an output signal at pin 11 to set the direction of the vertical control ramp for the ball's position. The inputs at pins 1 and 5 are the top and bottom base waveforms respectively and the output at pin 11 changes state whenever the ball's waveform is coincident with either of them. This appears subjectively on the television screen as if the ball rebounds on hitting either the top or the bottom base. Coincidence between BALL and TOP BASE sets a "1" at pin 11 which causes the ramp generator to produce a falling voltage. When fed to pin 5 of IC3, this ramp increases the delay on the ball's vertical position and the ball starts to move towards the bottom of the screen. Coincidence between BALL and BOTTOM BASE reverses the procedure.

It is worth mentioning, at this stage, that the ball must be high enough and the bases must be thick enough so that at the maximum speed of ball movement the ball cannot cross over a base line in less than 20mS. If this were to happen there is a fairly high chance that neither signal would be present to give coincidence—remember they only occur for a very short time during a single field! Without a coincidence the ball will appear to break straight through the base line without changing direction—hilarious to watch but making a mockery of a game of tennis!!

## Testing board A

Assemble Board A and mount it on the sub frame. Connect the mixed sync output to Board E and take a temporary flying lead from the BALL output to one of the input diodes of Board E. Do not bother with any of the other connections yet apart from power supply leads. Set VR1 and VR2 to approximately mid positions and VR3 and VR4 to minimum resistance. Switch on the television set and allow it to warm up while receiving a broadcast picture. Adjust the vertical and horizontal hold controls to the centre of the range over which a stable picture is maintained.

Next apply power to the Tele Tennis, couple the output of the modulator to the receiver's aerial socket and tune the receiver for maximum signal. Do not expect a stable picture immediately because you must first adjust the line and field sync generators to their correct frequencies. Keep the brightness of the receiver up sufficiently to maintain a grey (not black) background and adjust VR1 until field lock is obtained on the receiver.

As it is approached you should see a dark horizontal bar (about 12 lines high) stabilise on the screen and then "snap" to the top of the field out of view. Carry on adjusting VR1 until you obtain frame roll

## ★ components list

### BOARD 'A'

#### Resistors (all $\frac{1}{4}$ or $\frac{1}{2}$ W, 5%)

R1 12k $\Omega$	R6 4.7k $\Omega$	R11 3.9k $\Omega$
R2 100k $\Omega$	R7 22k $\Omega$	R12 4.7k $\Omega$
R3 4.7k $\Omega$	R8 4.7k $\Omega$	R13 1k $\Omega$
R4 1.8k $\Omega$	R9 1k $\Omega$	R14 2.2k $\Omega$
R5 22k $\Omega$	R10 2.2k $\Omega$	

#### Potentiometers (all sub-min. vertical presets)

VR1 250k $\Omega$	VR3 250k $\Omega$
VR2 10k $\Omega$	VR4 25k $\Omega$

#### Capacitors

C1 1000 $\mu$ F 12V	C4 0.1 $\mu$ F	C7 2200pF(P)
C2 0.1 $\mu$ F(P)	C5 0.1 $\mu$ F(P)	C8 1500pF(P)
C3 2200pF(P)	C6 0.47 $\mu$ F(P)	C9 0.1 $\mu$ F

#### Semiconductors

D1-D4 1N914 or 1N4148
IC1-IC3, IC5 NE555
IC4, IC6-IC8 SN7400

#### Miscellaneous

4 DIL8 IC sockets; 4 DIL14 IC sockets; pcb; 11 pcb pins

### BOARD 'B'

#### Resistors (all $\frac{1}{4}$ or $\frac{1}{2}$ W, 5%)

R15 1.8k $\Omega$	R19 15k $\Omega$	R23 1k $\Omega$
R16 4.7k $\Omega$	R20 4.7k $\Omega$	R24 1.2k $\Omega$
R17 1k $\Omega$	R21 1k $\Omega$	R25 1.2k $\Omega$
R18 1.2k $\Omega$	R22 1.2k $\Omega$	R26 1k $\Omega$

#### Potentiometers (all sub-min. vertical presets)

VR5 25k $\Omega$	VR6 5k $\Omega$
------------------	-----------------

#### Capacitors

C10 2200pF(P)	C13 2200pF(P)	C16 1000pF(P)
C11 2200pF(P)	C14 1000pF(P)	C17 0.1 $\mu$ F
C12 0.1 $\mu$ F	C15 1500pF(P)	

#### Semiconductors

D5-D12 1N914 or 1N4148
IC9, IC11 NE555
IC10, IC12-IC15 SN7400

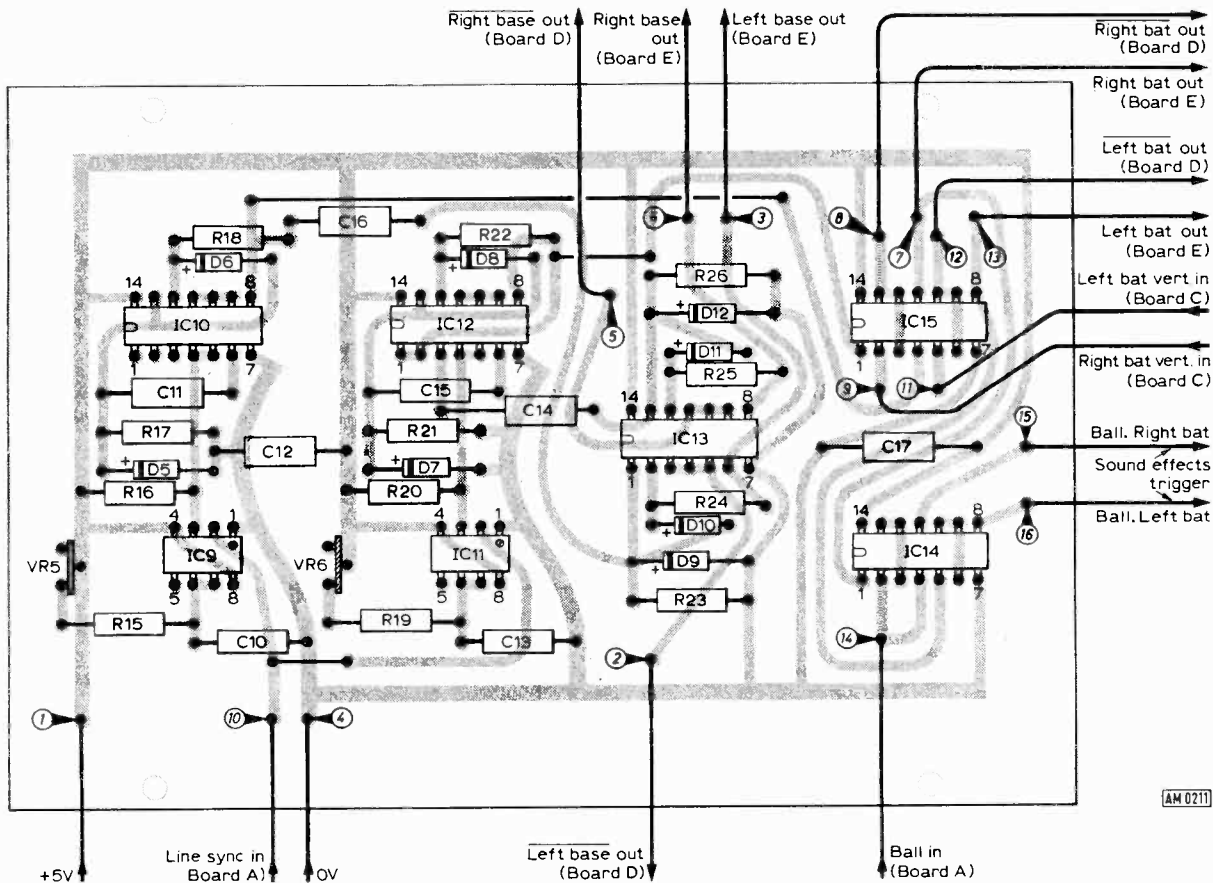
#### Miscellaneous

2 DIL8 IC sockets; 5 DIL14 IC sockets; pcb; 16 pcb pins

**NOTE**—Capacitors marked (P) must be low-leakage polyester or polystyrene types.

in the opposite direction and then come back to a mid position. When you have done this you should be aware of the presence of the ball as a white dot flickering across the screen near the top. Next adjust VR2 until you obtain line lock; the ball should then appear clearly defined as a white square near the top left hand corner of the screen.

If field or line lock cannot be obtained, carefully check the soldering around ICs 1, 2 and 7 and make absolutely certain you have inserted IC1 and IC2 the correct way round—their orientation marks point in the opposite direction to the SN7400's. If you get lock but do not see the ball take the temporary lead off the BALL output and transfer it first to pin 3 of IC3 (you should obtain a bright band across the top of the screen) then to pin 8 of IC4; a thin bright line should appear across the top. Secondly check the horizontal waveform generator by touching the lead on to pin 3 of IC5 when a vertical bright band should



AM 0211

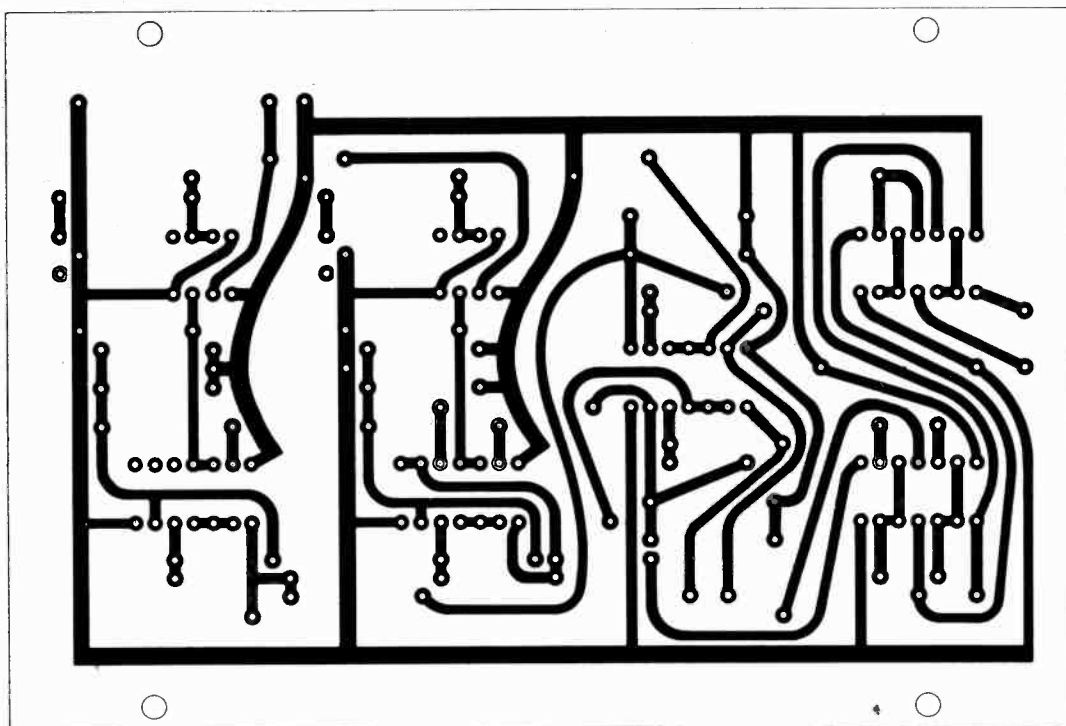


Fig. 11: Actual size layout of Board B and location of components.

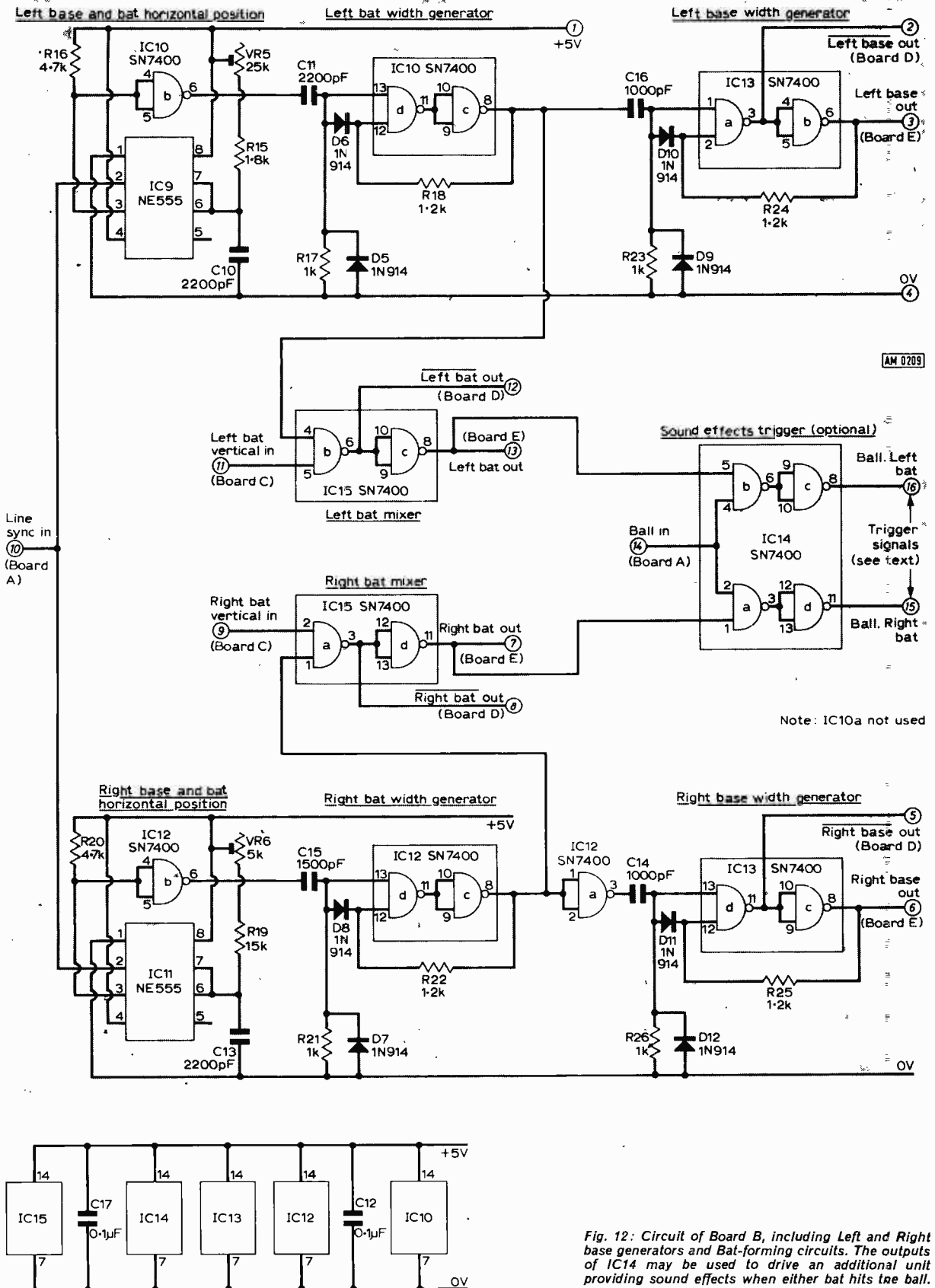


Fig. 12: Circuit of Board B, including Left and Right base generators and Bat-forming circuits. The outputs of IC14 may be used to drive an additional unit providing sound effects when either bat hits the ball.

be seen on the left of the screen. Finally check the output of IC6 (pin 8) and you should see a thin vertical line on the left.

Assuming all is well you should be able to position the ball somewhere near the centre of the screen by adjusting VR3 and VR4.

## Bats & bases

Now to the circuitry of Board B which is shown in Fig. 12. Do not be put off by the apparent complexity; it is basically the same circuit repeated several times. IC9 provides the delay (relative to line sync) which positions the left base line and bat. The width of the left bat is set by the differentiating action of C11 with R17. The width signal for the left bat appears at pin 8 of IC10 and is a pulse approximately  $5\mu\text{S}$  wide. The leading edge of this pulse is used to trigger the left base—generated by C16 with R23 and IC13 a and b.

The left base is approximately  $2\mu\text{S}$  wide and starts at the same instant as LEFT BAT. Note that these two waveforms, Fig. 13, overlap. C11/R17 set the dimension from the left of the left base to the right hand edge of the left bat while C16/R23 control the width of the base. The former should, of course, always be larger than the latter! The bat width signal is combined with a height signal from Board C in IC15b to give both the horizontal and vertical coordinates of the bat. For later processing we need the true LEFT BAT signal and its inverse  $\overline{\text{LEFT BAT}}$ .

The right bat and right base are generated in like manner from the delay signal provided by IC11. Here, however, the bat width is narrower (it does NOT overlap the base) and is set by C15/R21. The trailing edge of the inverted right bat width signal is used to generate the width of the right base. The dimension is obtained by the differentiating action of C14 with R26. Again the right bat width is combined with its vertical coordinate in IC15a which, with IC15d, gives us RIGHT BAT and  $\overline{\text{RIGHT BAT}}$  waveforms. Capacitors C12 and C17 are to suppress noise spikes.

The layout for board B allowed space for an optional extra which can be omitted without any other changes—this is IC14. Its function is simply to give a pulse output when there is coincidence between the ball and either the left or right bats. The outputs could be used to trigger a noise generator to produce a sound effect similar to a ball hitting a bat. We have not included this circuitry but the option is open to experienced constructors. The only point to watch is that under normal circumstances the pulse produced can be very narrow and may need stretching before much use can be made of it.

## Testing board B

Having assembled Board B and mounted it onto the sub frame, complete the interboard wiring to boards A, E and F. Do not worry about the pins that have yet to be connected; these will be dealt with later. Set VR5 and VR6 to minimum resistance and apply power. You should now see the ball where it was before but you should also see two fairly wide vertical bars running down the left and approximate centre of the screen. These are the base lines

†All waveform levels are 0V and 5V

AM 0210

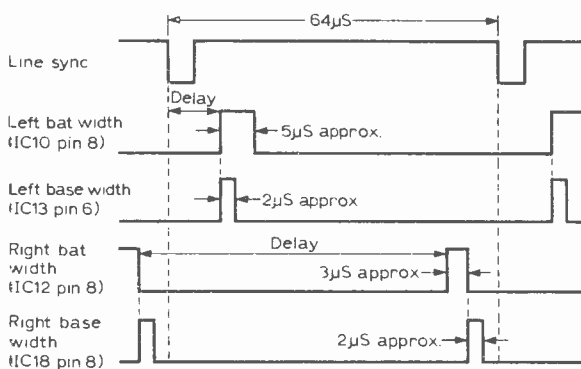


Fig. 13: Typical waveforms for the Left and Right base and Bat-forming circuits located on Board B.

with their immediately adjacent bats, but the vertical position and heights of the bats are not yet delineated—we need those signals from board C. It is sufficient to see the vertical bars and to check that their horizontal positions can be set by VR5 and VR6.

Should you have any trouble on this board we suggest you use the technique adopted on board A to check the waveforms. Work steadily through from the delay monostables to the output of the last gates. The only troubles you might encounter, provided you have used the specified components and have put them in the right way round, are dry joints and short circuits caused by solder blobs.

Next month we will describe the top and bottom base and bat height generators and the ball control logic (Boards C and D respectively).

# WE ARE BACK!

Due to popular demand, we have pleasure in announcing that **PRACTICAL WIRELESS** will have a stand at the

## INTERNATIONAL AUDIO FESTIVAL & FAIR

to be held at **OLYMPIA, London** from **28th October to 3rd November 1974.**

**ON SHOW WILL BE**

**P.W. TELE-TENNIS and the P.W. SUPER SEPARATES,** including some new ones not yet published.

(Subject to arrangements going ahead normally as planned at the time of going to press).

## ERRATA

### Bench Stabilised Power Supply PW, Feb. 1974

- Fig. 8: The leadout connections shown for base and emitter of the 2N3055/2N3791 transistors should be reversed.
- Components List: D5 and D6 should be BZX61 C15 or equivalent with a rating of 1.3W or more.

**AMBIT** is carrying stocks of the components you need for the PW TELE-TENNIS project—please send an SAE marked 'tele-tennis' to receive full price and availability details.

# TELE-TENNIS

**ANNOUNCING ANOTHER GREAT NEW RANGE FROM AMBIT—MODULES FOR AMATEUR AND OEM USING REALLY TOP QUALITY COMPONENTS AND IDEAS**

## AUDIO MODULES

£2.59

£5.00

£5.00

STEREO 2½-3W PER CHANNEL IC AMPLIFIER. 9-22V 3-16ohms.

★ Short circuit protected ★ USES LM380N ICs.

STEREO 2½-3W PER CHANNEL with Volume, Balance and Tone control, boosted gain to 200 times.

STEREO PREAMPLIFIER WITH LM381N. 9-40v. Over 100dB gain, suitable for magnetic cartridges, tape heads, microphones, mixers.

★ Programmable frequency response ★ 120dB supply rejection

★ Output voltage swing (Vcc-2v)

Coming soon: 20W RMS amps, DC coupled amps.

## RADIO MODULES

£7.50

£8.00

£4.85

£20.00

£12.00

VARICAP FM TUNERHEADS FROM LARSHOLT. ★ 30dB gain ★ Double tuned coils

for mixer and IF ★ Dual Varicaps ★ Protected MOSFET for RF and MIXER stages ★ AGC

VARICAP FM TUNERHEAD FROM TOKO. EF5600. ★ 30dB gain ★ MOSFET RF Stage

★ Double tuned circuits with dual varicaps ★ Image/IF/Spurious rejection -90dB.

FM IF MODULE WITH CERAMIC FILTER/MUTE/AGC/AFC/METER DRIVE ★ PIN COMPATIBLE WITH LP1185. (The additional functions can either be taken to pins, or from above.)

RF/IF MODULE BY LARSHOLT—includes their VARICAP Tunerhead, with a new IF amplifier with all the top quality functions you would expect from Larsholt.

★ AMPLIFIED MUTE/METER DRIVE/AFC/AGC

FM IF MODULE WITH 753 GAIN STAGE. ★ DUAL CERAMIC FILTER ★ AMPLIFIED

MUTE ARRANGEMENT ★ METER DRIVE/AGC/AFC/AUDIO PREAMP.

## STEREO DECODERS

£5.40

£5.10

PLL with CA3090AQ—includes LED beacon.

PLL with MC1310P—includes LED beacon.

## AM RADIO MODULE

£3.50

With 720 radio IC, and TOKO variable condenser.

★ MW and LW ★ TOKO COILS USED

**WRITE IN FOR DETAILS**—our full catalogue now costs 22p (it's getting bigger every month). Trade and OEM enquiries welcomed for all our modules, which are designed to suit the requirements of fast assembly and reliability in service.

## AMBIT INTERNATIONAL—COMPONENTS DIVISION

All items are brand new, first run, marked and guaranteed types—available in quantity. Plus our technical backup that offers objective assessments of all your components problems and needs, with an applications service for OEM and industry.

What's more, we are starting a new 8am to 9pm service for phone orders—technical assistance may be available after hours as well, but we cannot promise this. Progress advice only between 9am and 5pm.

**Coils and Filters from TOKO INC. Full details in the catalogue.**

CFS10.7	40p	CFT455B/C	45p	BLR2011	1.75	43mH	33p
AM IFTs	27p	CFU470C	50p	22uH	15p	2 gang AM cap	66p
FM IFTs	30p	MFH41/71T	1.35	5.1mH	25p	2mH tuneable	30p

ET703uA FM tunerhead with AM gang capacitor £3.30.

ICs and non-obsolete semiconductors:

LM380N	1.00	uA753	99p	NE560/1/2B	3.19
LM381N	2.20	NE550A	80p	NE565A	2.75
TBA810S	1.60	uA741CV	40p	NE566V	2.55
uA720	1.30	uA710	55p	NE567V	2.75
TBA651	1.81	LM3900	68p		
CA3089E	1.94	uA723CJ	80p		
TBA120A	1.00	uA7805	2.05		
MC1310P	2.80	NE555V	77p		
CA3090Q	3.55	ICL8038CC	3.10		

More linears in the catalogue. . . .

## TTL TTL TTL TTL TTL TTL TTL TTL TTL TTL TTL TTL TTL TTL TTL

We will not list our prices in full here, but our TTL is all brand new and marked by the manufacturer. EG 7490 58p, 7447 99p. Discounts for mixes and multiples of tens. Prices available to 100,000 pieces with delivery of days or a week or two—phone for details.

**LED DISPLAYS** by OPCOA and LITRONIX. YELLOW/RED/GREEN. .33" 7 segment for about £1 a digit. Also Liquid crystal displays, CT7001 Clock chip for £10.00.

You are really missing out if you haven't got the **AMBIT INTERNATIONAL** catalogue, and joined our monthly update service.

If we have the goods in stock, then you get them within 48 hours—postal service permitting.

**TERMS** VAT +10% to ALL orders please. Postage and handling is 15p for orders under £5.

Credit accounts by prior arrangement please, minimum invoice £5.00. Handling 25p per invoice.

**AMBIT INTERNATIONAL** 37 High Street, Brentwood, Essex, CM14 4RH 0277 216029

## SUPERSOUND 13 HI-FI MONO AMPLIFIER

A superb solid state audio amplifier. Brand new components throughout. 3 silicon transistors plus 2 power output transistors in push-pull. Full wave rectification. Output approx. 13 watts r.m.s. into 8 ohm. Frequency response 12Hz—30KHz  $\pm$  3dB. Fully integrated pre-amplifier stage with separate Volume, Bass boost and Treble cut controls. Suitable for 8-16 ohm speakers. Input for ceramic or crystal cartridge. Sensitivity approx. 40mV for full output. Supplied ready built and tested, with knobs, escutcheon panel, input and output plugs. Overall size 3" high x 6" wide x 7 1/2" deep. AC 200/250V. PRICE £12.00. P. & P. 50p.

## DE LUXE STEREO AMPLIFIER

A.C. mains 200-240 v. Using heavy duty fully isolated mains transformer with full wave rectification giving adequate smoothing with negligible hum. Valve line up—2  $\times$  ECL86 Triode Pentodes. 1  $\times$  E280 as rectifier. Two dual potentiometers are provided for bass and treble control, giving bass and treble boost and cut. A dual volume control is used. Balance of the left and right hand channels can be adjusted by means of a separate 'Balance' control fitted at the rear of the chassis. Input sensitivity is approximately 300mV for full peak output of 4 watts per channel (8 watts mono), into 3 ohm speakers. Full negative feedback in a carefully calculated circuit, allows high volume levels to be used with negligible distortion. Supplied complete with knobs, chassis size 11" w.  $\times$  4 1/2". Overall height including valves 5". Ready built & tested to a high standard.

PRICE £10.40. P. & P. 50p.

## LOUDSPEAKER BARGAINS

5in 3 ohm £1.25, P. & P. 15p 7  $\times$  4in 3 ohm £1.40 P. & P. 20p. 10  $\times$  6in 3 or 16 ohm £3.10. P. & P. 30p. E.M.I. 8  $\times$  6in 3 ohm with high flux magnet £1.70. P. & P. 20p. E.M.I. 131  $\times$  8in with high flux ceramic magnet with parasitic tweeter 3, 8 or 15 ohm £3.50 P. & P. 30p. E.M.I. 13  $\times$  8in, 3 or 8 or 15 ohm with two inbuilt tweeters and crossover network £4.65. P. & P. 30p. EMI CERAMIC MAGNET HEAVY DUTY TWEETER. approx. 3 1/2in. 3 or 8 or 15 ohms. £1.25 plus 20p p. & p.

## SPECIAL OFFER

LIMITED NUMBER OF BRAND NEW ELAC 10" TWIN CONE LOUDSPEAKERS. With large ceramic magnet and plasticised cone surround. 8 ohm impedance. £3.70. P. & P. 35p.

Open 9.30-5.30 Monday to Friday. 9.30-5 Saturday  
Closed Wednesday.

A few minutes from South Wimbledon Tube Station.

## PRICES INCLUDE VAT

### SPECIAL OFFER ! HI-FI LOUDSPEAKER SYSTEMS

Beautifully made teak finish enclosure with most attractive Tygan-Vynair front. Size 16" high  $\times$  10 1/2" wide  $\times$  6" deep. Fitted with E.M.I. Ceramic Magnet 13"  $\times$  8" bass unit, two H.F. tweeter units and crossover. Maximum power handling 10 watts. Available 3 or 8 or 15 ohms impedance.  
**OUR PRICE £9.25** Carr. 75p  
Cabinet Available Separately £4.95, Carr. 65p.  
Also available in 8 ohms with EMI 13"  $\times$  8" bass speaker with parasitic tweeter £7.15, Carr. 75p.

### 3-VALVE AUDIO AMPLIFIER HA34 MK II

Designed for Hi-Fi reproduction of records. A.C. Mains operation. Ready built on plated heavy gauge metal chassis, size 7 1/2" w.  $\times$  4" d.  $\times$  4 1/2" h. Incorporates ECC83, EL34, E280 valves. Heavy duty, double wound mains transformer and output transformer matched for 3 ohm speaker. Separate volume control and now with improved wide range tone controls giving bass and treble lift and cut. Negative feedback line. Output 4 1/2 watts. Front panel can be detached and leads extended for remote mounting of controls. Complete with knobs, valves, etc., wired and tested for only £6.00. P. & P. 45p.

HSL "FOUR" AMPLIFIER KIT. Similar in appearance to HA34 above but employs entirely different and advanced circuitry. Complete set of parts, etc. £5.00. P. & P. 45p.

**SPECIAL BARGAIN OFFER!**  
Limited number of BSR O125 Auto Changer De Luxe with lightweight tubular arm and stereo cartridge. Brand new. ONLY £8.00 + p. & p. 50p.

### BATTERY OPERATED MEGGER CIRCUIT TESTER

made by Evershed and Vignoles Ltd., Measures from 0.1 ohm to 200,000 ohms in 2 switched ranges. Used but in perfect condition. Complete with test probes, leather carrying case and 4 1/2 volt standard battery. Only £7.00 + 40p p & p.

## HARVERSON SUPER SOUND 10 + 10 STEREO AMPLIFIER KIT

**NEW FURTHER IMPROVED MODEL WITH HIGHER OUTPUT AND INCORPORATING HIGH QUALITY READY DRILLED PRINTED CIRCUIT BOARD WITH COMPONENT IDENTIFICATION CLEARLY MARKED FOR EVEN EASIER CONSTRUCTION**

A really first-class Hi-Fi Stereo Amplifier Kit. Uses 14 transistors including Silicon Transistors in the first five stages on each channel resulting in even lower noise, level with improved sensitivity. Integrated pre-amp with Bass, Treble and two Volume Controls. Suitable for use with Ceramic or Crystal cartridges. Very simple to modify to suit magnetic cartridge—instructions included. Output stage for any speakers from 5 to 15 ohms. Compact design, all parts supplied including drilled metal work, high quality ready drilled printed circuit board, smart brushed anodised aluminium front panel with matching knobs, wire, solder, nuts, bolts—no extras to buy. Simple step by step instructions enable any constructor to build an amplifier to be proud of. Brief specification: Power output: 14 watts r.m.s. per channel into 5 ohms. Frequency response  $\pm$  3dB 12-30,000 Hz Sensitivity: better than 80mV into 1M  $\Omega$ . Full power bandwidth:  $\pm$  3dB 12-15,000 Hz. Bass boost approx. to  $\pm$  12dB. Treble cut approx. to -16dB. Negative feedback 15dB over main amp. Power requirements 35v. at 1.0 amp. Overall size 12" w.  $\times$  8" d.  $\times$  2 1/2" h. Fully detailed 7 page construction manual and parts list free with kit or send 18p plus large S.A.E. AMP. KIT £11.65 P. & P. 25p (MIC 35p extra) POWER PACK KIT £3.50 P. & P. 35p. CABINET £3.50 P. & P. 35p. (Post Free if all units purchased at same time). Full after sales service  
Also available ready built and tested £25-10. Post Free.

### 10/14 WATT HI-FI AMPLIFIER KIT

A stylishly finished monaural amplifier with an output of 14 watts from 2 EL84s in push-pull. Super reproduction of both music and speech, with negligible hum. Separate inputs for mike and gram allow records and announcements to follow each other. Fully shrouded section wound output transformer to match 3-15  $\Omega$  speaker and 2 independent volume controls, and separate bass and treble controls are provided giving good lift and cut. Valve line-up 2 EL84s, ECC83, EP86 and E280 rectifier. Simple instruction booklet 15p plus S.A.E. (Free with parts). All parts sold separately. ONLY £9.00. P. & P. 60p. Also available ready-built & tested £18.00. P. & P. 70p.

## HARVERSON SURPLUS CO. LTD.

(Dept. P.W.) 170 HIGH ST., MERTON, LONDON, S.W.19 Tel.: 01-540 3985

SEND STAMPED ADDRESSED ENVELOPE WITH ALL ENQUIRIES

(Please write clearly)

PLEASE NOTE: P. & P. CHARGES QUOTED APPLY TO U.K. ONLY. P. & P. ON OVERSEAS ORDERS CHARGED EXTRA.

# ADCOLA SOLDERING KITS

INCLUDES THE FAMOUS 'INVADER' SOLDERING INSTRUMENT

**£4.73**  
INCLUDES VAT  
POSTAGE  
FREE!



A quality soldering kit at a price which may never be repeated due to rising costs. The kit comprises of the renowned Invader Soldering Tool (high safety standards low leakage with easily removable bits). Two spare specially shaped bits (heavy duty and P.C.B. work). Safety stand with bit storage provision, dispenser of multi cored solder, and hints and tips soldering leaflet, all in a presentation styrene pack. Attach your plug and solder with Adcola.



POST NOW TO!

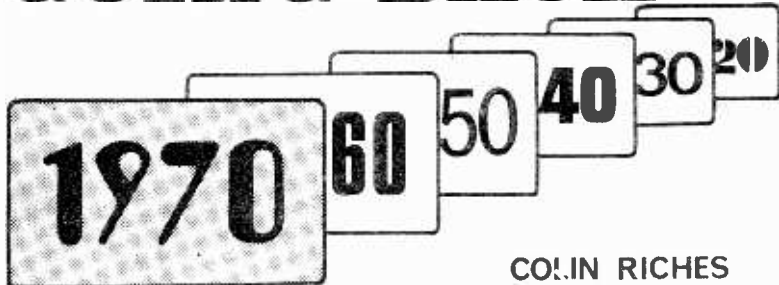
ADCOLA PRODUCTS LTD ADCOLA HOUSE GAUDEN ROAD LONDON SW4 6LH  
V.A.T. REG. No. 235 8193 72 REGD. No. 442782

ENCLOSING P/O. CHEQUE FOR SOLDERING KITS £

NAME

ADDRESS

# GOING BACK...

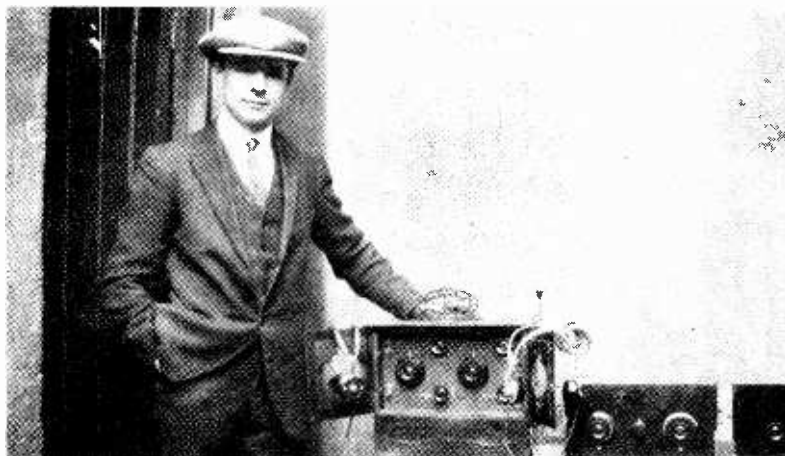


COLIN RICHES

**T**HIS photograph of Marconi has just recently come to light. During preparations for the Science Museum's exhibition commemorating the centenary of Guglielmo Marconi, Mrs. Betty Hance, the Historian of GEC-Marconi Electronics Ltd. discovered this early portrait. The picture was taken by Lafayette Ltd. of Dublin, about 1901.

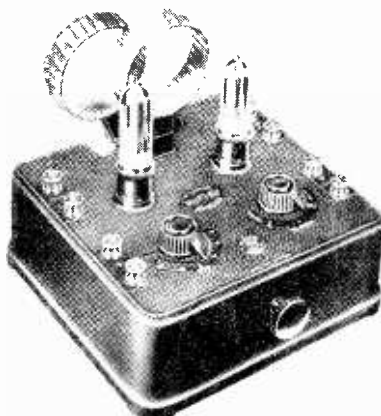


The existence of this portrait was known but no original print was thought to have survived. It shows Marconi as a very debonnaire young man and is one of the best of the early portraits.

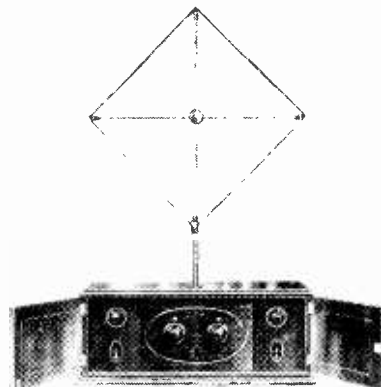


## Burndept 'Oldies'

Two Burndept receivers are shown here. The magnificent



specimen with two valves mounted on the top panel is a "Duplex" two-valve regenerative receiver said to be capable of operating a loud-speaker within 15-20 miles of a normal broadcast transmitter. Wave-length range was 250-5,000 metres depending upon which coils were plugged in. One of the valves used was a high-frequency amplifier and detector; the other was a "transformer-coupled note



frequency amplifier".

My other picture is also of a Burndept receiver and, contrary to popular opinion, is *not* the one fitted with Charles Molloy's MW loop aerial and used for his MW DXing. It is in fact, a 7-valve superhet receiver operated from a frame aerial (would you believe!). No earth connection was needed. Two frame-aerials were supplied. One covering 250-550 metres and the other 1,000-2,000 metres. It operated from batteries and was designed for loudspeaker output.

## Vintage CC!

### FOR DISPOSAL

...set of Harmsworth's "Wireless Encyclopedia", in excellent condition. Also c 1929 receiver which uses rheostats for control of the valve heaters. It is housed in a long metal box and looks like a kit of the time.—F. Cole, 89 High Street, Swanscombe, Kent.

...a set of Harmsworth's "Wireless Encyclopedias"—3 volumes. Also some other books of similar vintage.—R. A. Mansell, 50 Meadowhill Crescent, Redditch, Worcestershire.

...vintage radio components—some new and unused, i.e. ebonite and nickel-cased condensers, plug-in coils etc. c 1923.—Griffith J. Jones, GW2HMO, 24 Walters Road, Llanelli, Wales.

...an Osram "Music Magnet 4" in immaculate condition and good working order.—R. Muir, G4AFC, 24 The Street, Boughton, Nr. Faversham, Kent.

### INFORMATION WANTED

...any gen on McMichael Duplex Mains Four and a set with a lift-up lid box. The lid houses the speaker. All valves are 4-pin and one appears to be a P2. The only marking inside the set reads, "Empire Ltd., Calthorpe Street, London, W.C.1." I'm no radio expert but spent many of my 75 years with cable ships of the Eastern Telegraph Co.—A. H. J. Bailey, 3 St. Mary's Terrace, Truro, Cornwall.

...any information about ADEY wireless manufacturing company. I have one of their sets and require a full spec.—E. J. Hillis, 41 Breys Mead, Harlow, Essex.

### EQUIPMENT WANTED

...diode valve (type unknown) wanted for a GECO-PHONE B.C. 3000 radio. Also I require information about this set. Anything will help.—G. D. A. Brown, 16 Tranby Lane, Anlaby. HU10 7DS.

## Hector Cole

The dashing young man pictured here is Hector Cole, G3OHK 25, Causeway Road, Seaton, Workington, Cumberland, CA14 IPL. The receiver he has his hand on is a Popular Wireless "Continental Two". Reaction was by swinging coil and h.t. consisted of a lot of flashlamp batteries wired in series. The plug-in coils were home-made.

Picture taken c 1925

# TAKE 20

DAVID ANDREWS

No. 63

I.F. SIGNAL GENERATOR

A series of simple transistor projects, using not more than twenty components.

WHEN lining-up a superhet receiver the amateur is often frustrated by the fact that he does not have a signal generator capable of producing a modulated carrier at the IF frequency. This project describes a very simple and easily made RF oscillator that can be modulated with an audio tone. It utilises a home-made coil and is designed to operate in the range of about 300kHz to 600kHz when used with a 300pF tuning capacitor.

If desired the circuit could be extended to cover a wider frequency range with switched coils but the object of this particular exercise was to design a project that can be quickly knocked-up on a piece of insulated board at very low cost.

## The Circuit

The circuit, shown in Fig. 1, comprises a feedback oscillator tuned by L1 and VC1. The tuning capacitor is preset because it is envisaged that use of such a circuit will be limited to operation at a spot frequency. The feedback winding, L2, provides base drive to the transistor and the output signal is taken from a loosely coupled coil, L3. These three windings are made on an Aladdin type former, 1/4in. in diameter, having a ferrite tuning slug. L1 consists of 300 turns of 40swg enamelled copper wire piled over about 3/8in. of the former and L2 is 5 turns of thin flexible insulated connecting wire wound over the top of L1. Take care to wind these coils in the same sense and note the start of each winding, a dot in the diagram, so that they are connected into the circuit with the correct phasing. L3 is simply a turn or two wound so that it loosely couples with the main coils and can be made from insulated connecting wire. Only one end of L3 is, in fact, used.

Should the output signal be too great the number of turns on L3 should be reduced and vice versa. There is nothing very critical about the coils but with the details given the circuit should oscillate at about 465kHz with VC1 in the centre of its capacitance range. Should there be need to alter the tuning range add or remove turns to L1 to decrease or increase the frequency respectively. When the coil is finished, hold the windings in place with a spot of adhesive.

## ★ components list

R1 470kΩ	C1 0.1μF
R2 100kΩ	C2 2200pF
R3 4.7kΩ	C3 0.022μF
R4 1kΩ	C4 0.022μF
R5 330Ω	VC1 300pF compression
R6 22kΩ	trimmer
R7 22kΩ	Tr1/2/3 BC108
R8 1kΩ	Former 1/4" dia, with core

If desired it is possible to use the circuitry built around Tr1 by itself as a simple Beat Frequency Oscillator (BFO), useful for picking up and detecting CW morse transmissions on any domestic radio set that has short wave coverage. All that is necessary is to supply the +6V at point A of the circuit and place a lead from the output of the oscillator close to the IF circuitry of the radio receiver. With a great deal of care and fiddling it is JUST possible to detect ssb received signals on a domestic receiver using the same technique and by careful adjustment of the oscillator's frequency.

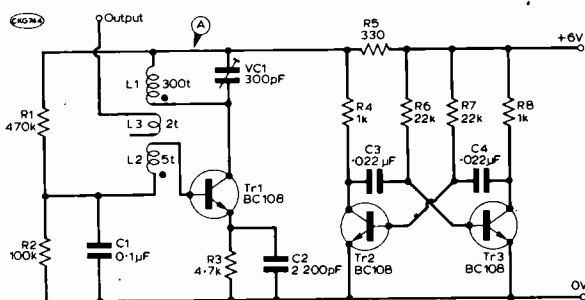


Fig. 1: A single transistor Tr1 generates the carrier which can be tone modulated by Tr2/3

## Modulation

For radio alignment it is preferable to have a tone modulated carrier and this is provided by the multi-vibrator made up of Tr2 and Tr3. As this switches at audio frequency it modifies the supply voltage to the oscillator at point A thus providing a small degree of amplitude modulation. The frequency of the audio tone can be adjusted by altering the values of C3, C4, R6 and R7. To set the spot frequency of the oscillator it is best to use a radio of reliable performance (and known intermediate frequency) and simply adjust VC1 until the tone is received at its loudest.

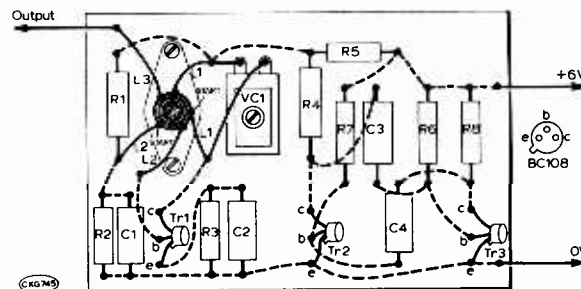


Fig. 2: Plain veroboard and pins, with wiring behind, was used in the prototype.



# NEW EDU-KIT MAJOR

Completely Solderless Electronic Construction Kit  
Build these projects without soldering iron or solder

- ★ 4 Transistor Earpiece Radio.
- ★ Signal Tracer.
- ★ Signal Injector.
- ★ Transistor Tester NPN-PNP.
- ★ 4 Transistor Push Pull Amplifier.
- ★ 5 Transistor Push Pull Amplifier.
- ★ 7 Transistor Loudspeaker Radio MW/LW.
- ★ 6 Transistor Short Wave Radio.
- ★ Electronic Metronome.
- ★ Electronic Noise Generator
- ★ Batteryless Crystal Radio.
- ★ One Transistor Radio.
- ★ 2 Transistor Regenerative Radio.
- ★ 3 Transistor Regenerative Radio.
- ★ Audible Continuity Tester.
- ★ Sensitive Pre-Amplifier.

Total Building Costs

**£7.23**

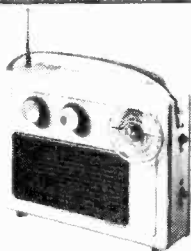
P P & Ins. 44p  
(Overseas P & P £1.85)

(+ 10% VAT 72p)

Components Include: 24 Resistors • 21 Capacitors • 10 Transistors • 3 1/2" Loudspeaker • Earpiece • Mica Baseboard • 3 12-way connectors • 2 Volume controls • 2 Slider Switches • 1 Tuning Condenser • 3 Knobs • Ready Wound MW/LW/SW Coils • Ferrite Rod • 6 1/2 yards of wire • 1 Yard of sleeving etc. • Parts Price List and Plans 50p. (Free with parts).

## NEW ROAMER NINE

WITH V.H.F. INCLUDING AIRCRAFT



Nine Transistors, 9 Tunable wavebands as Roamer Ten. Built in ferrite rod aerial for MW/LW. Retractable chrome-plated telescopic aerial for VHF and SW. Push Pull output using 600 mW transistors. 9 Transistors and 3 diodes, tuning condenser with V.H.F. section, separate coil for aircraft, moving coil loudspeaker, volume ON/OFF and wavechange controls. Attractive all white case with red grille and carrying strap. Size 9 1/2" x 7" x 2 1/2" approx. Parts Price List and Plans 30p (Free with parts).

Total Building Costs **£6.95**

P P & Ins. 44p  
(Overseas P & P £1.85)

(+ 10% VAT 69p)

## POCKET FIVE

3 Tunable wavebands, M.W., L.W. and Trawler Band. 7 stages, 5 transistors and 2 diodes, super-sensitive ferrite rod aerial, moving coil loudspeaker, attractive black and gold case. Size 5 1/2" x 1 1/2" x 3 1/2" approx. Plans and Parts Price List 15p (Free with parts).



Total Building Costs **£2.28**

P P & Ins. 26p  
(Overseas P & P £1.25)

## TRANSONA FIVE

Wavebands, transistors and speaker as Pocket Five. Larger Case with Red Speaker Grille and Tuning Dial. Plans and Parts Price List 15p (Free with parts).



Total Building Costs **£2.50**

P P & Ins. 26p  
(+10% VAT 25p)

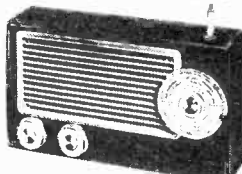
(Overseas P & P £1.25)

## TRANS EIGHT 8 TRANSISTORS and 3 DIODES

6 Tunable Wavebands: MW, LW, SW1, SW2, SW3 and Trawler Band. Sensitive ferrite rod aerial for M.W. and L.W. Telescopic aerial for Short Waves. 3in. Speaker. 8 improved type transistors plus 3 diodes. Attractive case in black with red grille, dial and black knobs with polished metal inserts. Size 9 x 5 1/2 x 2 1/2 in. approx. Push pull output. Battery economiser switch for extended battery life. Ample power to drive a larger speaker. Parts price list and plans 25p (FREE with parts).

Total building costs **£4.48**

P P & Ins. 33p  
(+ 10% VAT 44p)  
(Overseas P & P £1.25)



## ROAMER SIX

CASE AND LOOKS AS TRANS-EIGHT

6 Tunable Wavebands: MW, LW, SW1, SW2. Trawler band plus an extra Medium waveband for easier tuning of Luxembourg, etc. Sensitive ferrite rod aerial and telescopic aerial for Short Waves. 3in. Speaker 8 stages - 5 transistors and 2 diodes. Attractive black case with red grille, dial and black knobs with polished metal inserts. Total building costs **£3.98**

P P & Ins. 31p  
(+ 10% VAT 39p)

## NEW Everyday Series

Build this exciting New series of designs

E.V.5. 5 Transistors and 2 diodes. MW/LW. Powered by 4 1/2 volt Battery. Ferrite rod aerial, tuning condenser, volume control, and loudspeaker. Attractive case with red-speaker grille. Size 9" x 5 1/2" x 2 1/2" approx. Parts Price List and Plans 19p. Free with parts.

Total Building Costs **£2.73**

P P & Ins. 30p  
(+ 10% VAT 27p)  
(Overseas P & P £1.25)

E.V.8. Case and looks as above. 6 Transistors and 3 diodes. Powered by 9 volt battery. Ferrite rod aerial, 3" loudspeaker, etc. MW/LW coverage. Push Pull output. Parts Price List and Plans 19p. Free with parts.

Total Building Costs **£3.60**

P P & Ins. 30p  
(+ 10% VAT 36p)  
(Overseas P & P £1.25)

E.V.7. Case and looks as above. 7 Transistors and 3 diodes. Six wavebands, MW/LW, Trawler Band, SW1, SW2, SW3, powered by 9 volt battery. Ferrite rod aerial. Telescopic aerial for short waves. 3" Loudspeaker. Parts Price List and Easy Build Plans 20p. Free with parts. Overseas P & P £1.05.

Total Building Costs **£4.08**

P P & Ins. 31p  
(Overseas P & P £1.85  
(+ 10% VAT 40p)

## ROAMER EIGHT Mk I

NOW WITH VARIABLE TONE CONTROL

7 Tunable Wavebands: MW1, MW2, LW, SW1, SW2, SW3 and Trawler Band. Built in Ferrite Rod Aerial for MW and LW. Retractable chrome plated Telescopic aerial for Short Waves. Push pull output using 600mW transistors. Car aerial and Tape record sockets. Selectivity switch. 8 transistors plus 3 diodes. Latest 4 1/2 watt ferrite magnet loudspeaker. Air spaced ganged tuning condenser. Volume/on/off, tuning, wave change and tone controls. Attractive case in rich chestnut shade with gold blocking. Size 9 x 7 x 4in. approx. Easy to follow instructions and diagrams. Parts price list and plans 25p (FREE with parts).

Total building costs **£6.98**

P P & Ins. 47p  
(+ 10% VAT 69p)

## ROAMER TEN

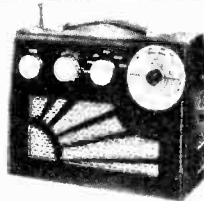
WITH VHF INCLUDING AIRCRAFT

10 Transistors. Latest 4 1/2 watt Ferrite Magnet Loudspeakers. 9 Tunable Wavebands, MW1, MW2, LW, SW1, SW2, SW3, Trawler Band, VHF and Local Stations also Aircraft Band. Latest 4 1/2 watt ferrite magnet loudspeaker.

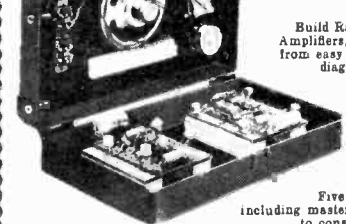
Built in Ferrite Rod Aerial for MW/LW. Retractable chrome plated 7 section Telescopic Aerial, can be angled and rotated for peak short wave and VHF listening. Push Pull output using 600mW Transistors. Car Aerial and Tape Record Sockets. 10 Transistors plus 3 Diodes. Ganged Tuning Condenser with VHF section. Separate coil for Aircraft Band. Volume on/off. Wave Change and tone Controls. Attractive Case in black with silver blocking. Size 9 1/2" x 7" x 4". Easy to follow instructions and diagrams. Parts price list and plans 30p (FREE with parts).

Total building costs **£8.50**

P P & Ins. 62p  
(+ 10% VAT 85p)



## "EDU-KIT"



Build Radios, Amplifiers, etc. from easy stage diagrams.

Five units including master unit to construct.

Components include:

Tuning Condenser; 2 Volume Controls; 2 Slider Switches; Fine Tone 3" Moving Coil Speaker; Terminal Strip; Ferrite Rod Aerial; Battery Clips; 4 Tag Boards; 10 Transistors; 4 Diodes; Resistors; Capacitors; Three 1/2" Knobs. Units once constructed are detachable from Master Unit, enabling them to be stored for future use. Ideal for Schools, Educational Authorities and all those interested in radio construction. Parts price list and plans 25p (FREE with parts).

Total building costs **£5.50**

P P & Ins. 33p  
(Overseas P & P £1.85)

(+ 10% VAT 55p)

## RADIO EXCHANGE LTD

★ Callers side entrance "Lavelis" shop.  
★ Open 10.1. 2.30-4.30, Mon.-Fri. 9-12 Sat.

To RADIO EXCHANGE CO., 61a HIGH STREET, BEDFORD, MK40 1SA  
Tel.: 0234 52387. Reg. No. 788372.

I enclose £..... for .....

Name .....

Address .....

(Dept. PW26.)





### Extra Low Frequencies

I am 15 years old and recently found an advert in a newspaper. From it I understand that the IBA are broadcasting on the extremely low frequencies of 719Hz and 97.3Hz, the latter being on v.h.f. however they worked that out.

I don't know much about radio but surely, modulating such low frequencies must be extremely difficult and the engineers responsible must be congratulated!

In all fairness, later adverts have had the correct frequencies of 719kHz and 97.3MHz.—**D. Saul** (Isle of Wight).

### CR100 Mods

On reading through Practical Wireless, I noticed in the Short Wave article by Malcolm Connah references to the CR100 receiver.

Apparently, many readers wish to obtain details of particular mods and since I was fortunate enough to obtain these details some while ago, I feel I can be of help.

If I can get in touch with other CR100 owners I can help them out. I also have a complete handbook for the CR100 which I will willingly lend.—**P. R. Austin** (3 Cunningham Way, Saltash, Cornwall, PL12 4HY).

### What It's All About

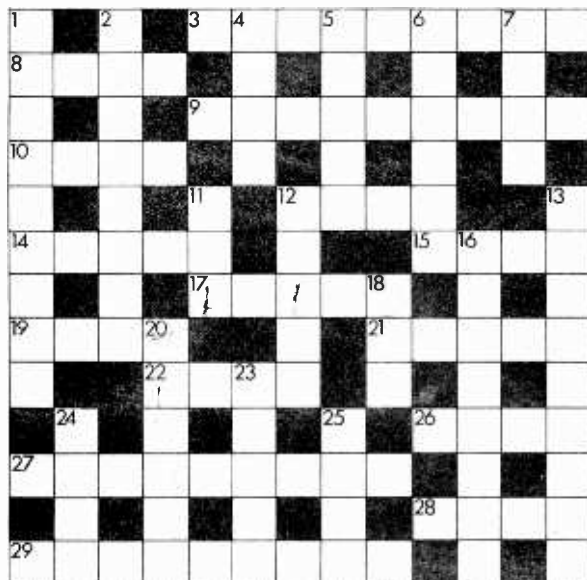
I read with interest, and considerable amusement, Mr. Watton's letter in the July issue of *Practical Wireless* telling me that I, and many others like me, need to be shown "what proper electronics is all about". While I appreciate his no doubt well intentioned desire to educate me I can't help feeling that he himself may be missing out on

something.

The widespread availability of integrated circuits has certainly made the design and construction of certain circuits much more straightforward than that of their valved counterparts. What Mr. Watton perhaps fails to realise is that the design of far more advanced and complex systems, which would have been for various reasons highly impracticable in the "good old days", can now be considered. This undoubtedly requires every bit as much ingenuity and design ability as did the realisation of some earlier valved equipment.

The numerous advantages of semiconductor devices are well known so I shall not reiterate them here, and while admittedly valves are superior for a few purposes at the present time (I have actually used them myself in some circuits) it is to be hoped that due to the continued advances in semiconductor technology this highly unsatisfactory state of affairs will not persist for much longer.—**Peter Frazer** (Angus).

# Pw TECHNICAL PUZZLE No. 6



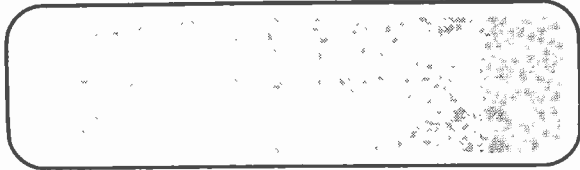
### ACROSS

- 3 Study it on a sound scientific basis (9)
- 8 Broadcast a reversed time-signal! (4)
- 9 Coming back about dial control? (9)
- 10 Smallest adjustment to A.I. transformers (4)
- 12 High fidelity reproduction expert (4)
- 14 Tannoy George fitted with outside shield (5)
- 15 Storage system peculiar to farming (4)
- 17 TV took the steam out of it! (5)
- 19 Wire stereo to hold the balance (4)
- 21 Accommodating area in echo television? (5)
- 22 Therefore Latin connection for scanner governors (4)
- 26 Highest one likes highest-fi? (4)
- 27 Mum warming to the thing to vary voltages? (5, 4)
- 28 Burdensome part of circuit-making? (4)
- 29 They're beating all the old records! (9)

### DOWN

- 1 Defenders of electrical apparatus (9)
- 2 Makes a row over amplification? (8)
- 4 He knows all sorts of hams (4)
- 5 How to make a rough power switch (5)
- 6 Twisters in wavelength control (6)
- 7 Tapering component in Ekco networks? (4)
- 11 Through with cat sound reproduction! (3)
- 12 Such bad equipment unheard of! (5)
- 13 And such perfect reception! (5, 4)
- 16 A speak-easy in the office! (8)
- 18 An example of 27 Across (3)
- 20 Game now played with TV sets? (6)
- 23 A pig of a sound to record! (5)
- 24 Had a tape full of information (4)
- 25 Telegram by radio less unused (4)

**FOR AMUSEMENT ONLY  
ANSWERS NEXT MONTH**



## VHF/FM DXING

by **SIMON DAVID**

**V**OLUPTUOUS Heart-rending Fidelity, believe it or not, should be the new interpretation of VHF, according to Lord Aylestone, Chairman of the IBA, who addressed the Radio Industries Club recently. As newcomers to this media, the IBA are obviously intent on selling commercial broadcasting in stereo terms, having already equipped their studios and transmitters to handle it. On the other hand the BBC have been experimenting with quadrasonic broadcasting (July 6th, 0005) for those lucky people with two stereo f.m. receivers tuned to Radio 2 (front channels) and Radio 3 (rear channels). Anyone hear these? If so I shall be interested in reporting the results. Although the BBC insists that it has no plans for regular quadrasonic broadcasting, one cannot help thinking of the similar attitude over stereo broadcasting sixteen years ago.

Two major DXing events were experienced in May, on the 9th/10th and 20th. **Julian Allen** of Hadleigh, Suffolk, reports BBC locals from London, Medway, Sheffield, Oxford, Humberside and Birmingham, IBA locals from London, French stations at Troyes 95.3, Rouen 96.5, Troyes 97.9, Lille 98.1, Niort 99.3, Boulogne 99.9MHz, and even Anglia television sound on 95.3, and 97.1MHz, BBC1 TV on 106.5MHz, BBC2 TV on 97.4 and 100.8. This seems to confirm my recent comments on unusual reception frequencies and is not uncommon during sporadic-E openings. Julian's receiver is an Audiosonic radio with telescopic aerial. He also says that he had another eight-piece telescopic "plugged" into the earpiece socket. Well, you never can tell, can you!

**Igor Hájek** is a student tucked away in a flat at the University of Lancaster. Between lecture periods he spends a lot of time listening and came up with a report for the 9th/10th May, aided and abetted by a Goodmans Module 90, a 4-element Yagi for the CCIR band (87.5 to 100MHz), and a 3-element wide-band aerial for the OIRT band. What's that? The 65 to 73MHz band? This is used by East European countries! That's right, I find DXing on this band more satisfying, Igor writes. Sporadic-E openings are more frequent here and, with the exception of channel E4 television sound (67.75MHz), they all

originate from Soviet controlled sources. His claims for the 20th are Lithuania, Latvia, Estonia, Byelorussia. Unfortunately the *World Radio and Television Handbook* identifies only a few. These were heard on 20th May.

On May 9th, Igor picked up several Polish and Soviet stations including Warsaw on 67.17 and 76.94MHz, Kiev on 71.77MHz.

Others listed are from Hungary on 66.8, 67.19, 69.38, 70.4, 70.6MHz; Poland 70.01; Czechoslovakia 69.2; Bulgaria 70.5, 72.0; USSR 68.5. Station locations are also listed, and these were heard on May 10th in the afternoon.

Coming back to the more usual band for UK listeners, Igor also picked up seven stations from Spain on 87.9, 95.3, 95.9, 96.9, 98.4, 99.0 and 100.2MHz. Also Bayonne in France on 96.1. He suffers from an overcrowded band between 95 and 98MHz, but during sporadic-E or tropospheric openings, the foreign intruders tend to suppress British stations.

You would think that Poole in Dorset would be a good venue for continental listening, and you would be right. **Colin Redwood** reports the following for the early evening of 20th May using the old Jason tuner and an indoor aerial made by modifying an old television aerial. From France he heard all three programmes from Cherbourg, Rennes, Caen and Rouen. BBC stations included North Hessary Tor, Rowridge, Wenvoe, Les Platons (Channel Islands), Mendip (R. Bristol). Results were variable, says Colin, but the best was from Rennes on 89.9, 93.55, 98.3.

Next on the list is **Jason Woodhead** from Bradford, who lists local stations of the BBC at Blackburn, Derby, Humberside, Leeds, London, Manchester, Sheffield and Stoke; IBA stations include Capital, Sheffield. His receiver is a Pioneer TX6-200 tuner with an SA-7100 amplifier and a two element Antiference aerial directed to Holme Moss.

We had some stormy weather over the weekend of 15th/16th June. For those who braved the storm the results were interesting and I shall be reporting next month. Because of the delay before reports appear in print, please write in promptly, stating the date of reception, equipment and aerial used and, of course, your location. Reports from overseas are particularly welcome.

Finally, turn your aerial round towards Ireland, listen on 89.7, 89.1, 90.4, 91.3, 91.9, 93.5, 94.1, 94.9, 95.3, 97.0MHz, and let me know what you get. If you are east of a line drawn from Carlisle to Southampton, you are sure to need high sensitivity and a large high aerial. If you are on top of Snowdon, you can't go wrong—he says!

**no extras**  
all prices inc VAT  
FREE delivery

BARCLAYCARD

Buy it with Access



High Quality  
Construction  
Kits. stocked  
at all branches  
Send for  
catalogue!

**AMPLIFIERS**

**Keletron**  
KSA1000 10+10 watt £25 95  
KSA1500 15+15 watt  
Mk. II £29 95  
**Tripleton**  
Hi-Fi Mk. II 7+7 watt £36 50  
18+18 watt £40 00  
**Rotel RA211** £39 45  
**Teleton SAQ307 8+8 watt** £27 00  
**Sansui**  
AU101 15+15 watt £43 95  
AU505 25+25 watt £71 00  
AU555A £99 95  
Sinclair 3000 £34 95  
Sinclair 4000 £45 95

**TUNERS & TUNER AMPLIFIERS**

Sinclair 3000/4000 Tuner £34 95  
Rotel RX150A Tuner/  
Amp. £59 95  
**Sansui**  
210 AM/FM/MPX £80 50  
310 AM/FM/MPX £95 75  
350A AM/FM/MPX £106 95

**RECORD DECKS**

Garrard SP25 MkIV £12 95  
Garrard 2025TC/9TAHC £9 00  
BSR MP60 £11 00  
BSR Invicta P & C/SC7M £9 95  
Garrard  
SP25 MkIV P & C/G/800 £19 95  
AP76 Module £30 00  
Goldring GL78 P & C/  
G800E £59 95  
**Connoisseur**  
BDI Kit £12 25  
BD2 Chassis/SAU2 £29 95  
SAU2 £13 00  
SCU1 £4 95  
**Plinth & Cover for Garrard**  
SP25 MkIV Mk. III £3 50  
2025TC

**TAPE DECKS**

**Akai**  
4000DS £93 95  
1721L £87 95  
GXC36D £82 00  
GXC38D £103 95  
CS33D £79 95  
**Akai CRBID 8-track Rec.**  
player £73 95

**SPEAKERS**

**Wharfedale**  
Denton 2 (pair) £33 00  
Linton 2 (pair) £42 95  
Linton 2 Kits (pair) £19 95  
Glendale 3 Kit (pair) £36 95  
Dovedale 3 Kit (pair) £59 95  
**Chassis Speakers**  
EMI (Plain) 13in x 8in,  
3, 8 or 15 ohm Bass unit £2 30  
with Single Tweeter £2 45  
with Twin Tweeter £3 95  
Type 350 Kit 15 watt 8 ohm £8 25  
13in x 8in Bass unit  
15 watt 8 ohm £4 95  
8in x 5in 5 watt 3, 8 or  
15 ohm £1 50  
8in x 5in 10 watt  
Dualcone 8 ohm £2 50  
6 1/2" 10 watt 8 ohm £2 65  
8in 10 watt 8 ohm £3 90

12in 20 watt 8 ohm £5 95  
Fane 8in 4 ohm £2 25  
Fane 7in x 4in 3 or 8 ohm £1 20  
Celestion 8in 15 ohm £1 75  
Elac 8in 8 ohm Dualcone £2 50  
Elac 10in 8 ohm Dualcone £3 75  
Goodman 6 1/2in 8 ohm  
Dualcone £2 40  
Baker Group 25 12in 8 or  
15 ohm £7 75  
Adastra 'Top 20' 12in  
25 watt 8 or 15 ohm £8 25  
Adastra 'Hi-Ten' 10in  
10 watt 8 or 15 ohm £3 60  
Also 5in 8 ohm speaker  
2 1/2in 8 or 64 ohm  
speaker £0 50

**SPEAKER CABINETS IN KIT FORM (Teak Veneer)**

12in x 8in x 6in  
(8 x 5 or 7 x 4 cutout) £2 50  
14in x 12in x 9in  
(8 x 5, 8", 6 1/2" & 3 1/4") £3 75  
18in x 11in x 9in  
(8" x 3 1/4" or 13 x 8) £4 50  
22in x 14in x 9in  
(12" & 3 1/4" or 13 x 8) £6 25

**TWEETERS & CROSSOVERS**

EMI 3 1/2" c/magnet in 3 or  
8 ohm £1 10  
Cone Tweeter 10 watt  
8 or 15 ohm (K2006) £2 50  
Cone Tweeter 3 watt  
8 ohm (K2003) £1 55  
Horn Tweeter 8 ohm  
(K2007) £6 50  
Dome Tweeter 8 ohm  
(K2011) £5 50  
2-way Crossovers (CN23,  
CN28, CN216) £1 20  
3-way Crossover (CN38) £2 75

**CARTRIDGES**

**Acos**  
GPI/25C or 35C £1 10  
GP93/1 £1 35  
GP94/1 £1 75  
GP96/1 £1 75  
GP101 £0 90  
GP104 £1 75  
**BSR**  
SC6M £2 75  
SX6M £1 80  
SX6H £1 80  
X5M £1 50  
X5H £1 50  
**Sonotone**  
9TAHC (Diamond) £1 80  
9TAHC/G (Diamond) £1 80  
Double Diamond Stylus  
for above £1 25  
**Goldring**  
G850 Cartridge £2 95  
G800 £3 95  
G800E £2 75  
Audio Technica AT55 £1 95  
Empire 999 REX £3 95

**STYLII for:**  
G850/G800/G800H £1 95  
CC90/7 £1 00  
G800E £3 60  
CS91/E £2 25  
AT66 £3 60  
N44-5 £2 25  
N44-7 £2 50

N55-E £3 95  
N75-E2 £3 95  
N75-EJ2 £3 95  
M3D £2 25  
N75/6 £1 95

**MICROPHONES**

UD130 50K/600 ohm  
uni-dir. ball metal £5 65  
UD147 £9 25  
Condenser Mic. 600 ohm  
uni-dir £9 50  
Cassette Stick Mic. with  
R/Control £1 60  
Mic-Mixers Mono/stereo £5 50  
AKAI ADM14 £5 95

**HEADPHONES**

**Rotel**  
RH430 £4 75  
RH 630 £7 75  
RH 700 £11 50  
Akai ASE 11 £7 00  
Akai ASE20 £8 95  
**Koss**  
K711 £10 95  
KR0711 £10 95  
K6 £11 50  
K6LC £14 00  
KO727B £16 00  
KO747 £20 75  
HV1 £21 95  
PRO4AA £26 95  
PRO54 £29 95  
K6LCQ £26 00  
Sansui SS10 £14 20  
Headphone adaptor  
(junction box) £2 50  
extension lead 2ft curly £1 35

**CASSETTES**

C40 C60 C90 C120  
Low Noise — 35p 45p 55p  
Philips — 50p 69p 105p  
Memorex 55p 65p 85p 120p  
Amplex (360) 45p 55p 70p 99p  
Amplex  
(20-204) 59p 65p 99p 135p  
Amplex  
Chromium — 99p 140p —  
Dioxide — 99p 140p —  
Cassette Head Cleaner 45p  
Amplex Head Cleaner  
Demagnetiser £1 65  
Cassette Racks (hold 6) £0 45  
Cassette Rotating Racks  
(hold 20) £3 50  
Cassette Carrying Case  
(BIB) (hold 12) £1 60  
**8-Track Cartridge Blanks**  
C40 C64 C80  
80p 95p £1 10  
8-track H/Cleaner  
Demagnetiser £1 90  
8-track Carrying Cases  
(BIB) £1 65

**8-Track Cartridge Blanks**

Amplex  
C40 C64 C80  
80p 95p £1 10  
8-track H/Cleaner  
Demagnetiser £1 90  
8-track Carrying Cases  
(BIB) £1 65

**TAPES**

5" Stnd. L/P D/P  
55p 69p 90p  
52" 69p 88p 1 25p  
7" 88p 1 20p 1 60p  
High frequency  
5" — 1 40p 1 55p  
7" — 1 90p 2 95p

**CALCULATORS**

Sinclair Cambridge Build £19 95  
Sinclair Cambridge Kit £17 95  
Scientific £45 95

**SINCLAIR PROJECT 80**

Stereo Pre-amp. £11 95  
Active Filter Unit £6 95  
Z40 15 watt Amp £5 45  
Z60 25 watt Amp £6 95  
P25 Power Supply for 240 £4 98  
P26 Power Supply for 240 £7 98  
P28 Power Supply for 260 £7 98  
FM Tuner £11 95  
Stereo Decoder £7 45

**PORTABLE RADIOS**

Vega Jade £5 75  
Vega Zircon £7 50  
Vega Sapphire £6 45  
Vega VEF206 £12 75  
Micado LM/MW/FM/SSW  
Murphy £18 95  
Murphy  
B833 MW/VHF £9 95  
BA838 LW/MW/VHF  
M/Batt £18 50  
MA5003 Head Set  
Radio LW £7 95

**Bush**  
VTR165 LW/MW/VHF £22 00  
VTR127 LW/MW/VHF £15 50  
VTR178 VHF/MW/2SW/  
AIR M/Batt £13 95  
VTR 175 LW/MW/VHF £25 00  
VTR188 LW/MW/VHF/  
2SW M/Batt £31 95  
BY5661 LW/MW/VHF £14 95

**CLOCK RADIOS**

Bush CR128 LW/MW £13 60  
Bush CR232 MW/VHF £24 95  
Murphy MV5600  
MW/VHF £22 95

**CASSETTE RECORDERS**

Murphy BA206 £16 95  
Bush TP66 M/Batt £25 75  
Murphy BA200 M/Batt £22 75  
Bush BT8504 (miniature) £25 50  
Wien 500 M/Batt £14 95

**RADIO CASSETTES**

(Mains/Batt.)  
Micado 8155 AM/FM £25 95  
Sharp RD4225 MW/3SW £46 50  
Hanimex HRC3070  
AM/FM £29 95  
Murphy BA209 MW/VHF £33 50

**STEREO RECORD PLAYER & SYSTEM**

Bush SPR58 £29 50  
Bush SPR59 £31 50  
Bush A1005 £56 50  
Hanimex H101 £39 95  
Hanimex HRC5060 8-track  
AM/FM/MPX + Speaker £116 95

**CAR AUDIO**

Bush Car Cassette BT8501 £36 75  
Hitachi Car Radio  
WM702R LW/MW £16 50  
KM1510 LW/MW/VHF £32 50  
Hitachi Car Cassette  
CS114 £45 00  
with Radio CSW17  
LW/MW £57 00

ALL ITEMS SUBJECT TO  
MANUFACTURERS INCREASE  
AND AVAILABILITY

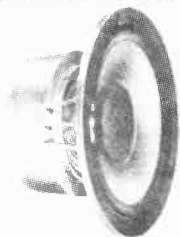
**PERSONAL CALLERS  
WELCOME**

ALL MERCHANDISE FULLY GUARANTEED

**NEWMART  
ELECTRONICS**

Mail Order Dept PW/9  
Belmont St, Monton,  
Eccles, Manchester.  
Tel: 061-789 5268

Manchester  
30-32 Shudehill tel 061-832 7710  
Leeds  
4 New Market St tel 0532-42708  
Liverpool  
15 Whitechapel tel 051-236 0738



# WILMSLOW AUDIO

**THE Firm for speakers!**

## SPEAKERS

Baker Group 25 3, 8 or 15 ohm £7.75  
 Baker Group 35 3, 8 or 15 ohm £8.50  
 Baker Group 50 12 8 or 15 ohm £12.50  
 Baker Deluxe 12" d/cone £10.75  
 Baker Major " " £8.50  
 Baker Regent " " £7.75  
 Baker Superb £14.50  
 Baker Auditorium 12 £12.50  
 Celestion MF1000 horn £10.95  
 Celestion PS7s for Unilux £2.55  
 Celestion G12M 8 or 15 ohm £12.00  
 Celestion G12H 8 or 15 ohm £15.00  
 Celestion G15C 8 or 15 ohm £24.00  
 Celestion G18C 8 or 15 ohm £33.00  
 Coral 8 1/2" d/cone roll surr. 8 ohm £2.42  
 Coral 8" d/cone roll surr. 8 ohm £3.11  
 EMI 13 x 8 3, 8 or 15 ohm £2.25  
 EMI 13 x 8 150 d/c 3, 8 or 15 ohm £2.50  
 EMI 13 x 8 450 t/tw 3, 8 or 15 ohm £3.75  
 EMI 13 x 8 type 350 8 or 15 ohm £8.25  
 EMI 13 x 20 watt base £3.00  
 EMI 6 1/2" 9350 4 or 8 ohm £2.50  
 EMI 5" 9812CP 8 ohm £2.50  
 EMI 8 x 5 d/cone, roll surr 10 watt £6.65  
 EMI 2 1/2" tweeter 97492A £5.45  
 Eagle DT33 30 watt tweeter £3.80  
 Eagle HT15 horn tweeter £3.80  
 Eagle CT5 cone tweeter £2.54  
 Eagle CT10 tweeter 8 or 16 ohm £3.80  
 Eagle MHT10 horn tweeter £1.20  
 Eagle crossover CN23, CN28, CN216 £5.30  
 Eagle FR4 £7.15  
 Eagle FR65 £9.50  
 Eagle FR8 £2.80  
 Elac 9 x 5, 59RM109 15 ohm, 59RM114 8 ohm £2.80  
 Elac 6 1/2" 6RM171 d/c roll surr. £3.50  
 Elac 6 1/2" 6RM220 d/cone £2.65  
 Elac 4" tweeter TW4 £1.21  
 Elac 10" d/cone 10RM239 8 ohm £2.50  
 Elac 8" 8CS175 3 ohm £4.80  
 Fane Pop 15 watt 12" £7.00  
 Fane Pop 25/25 watt 12" £8.50  
 Fane Pop 40 watt 10" £11.00  
 Fane Pop 50 watt 12" £12.50  
 Fane Pop 55 12" 60 watt £13.00  
 Fane Pop 60 watt 15" £22.50  
 Fane Pop 100 watt 18" £29.00  
 Fane Crescendo 12A 100 watt 12" £36.00  
 Fane Crescendo 12B bass £49.50  
 Fane Crescendo 15" 100 watt £27.00  
 Fane Crescendo 18" 150 watt £3.85  
 Fane 801 T 8" d/c roll surr. £2.75  
 Fane 801 T 8" d/c roll surr. £2.75  
 Fane 808T 8" d/c £23.00  
 Fane 701 twin ribbon horn £10.75  
 Fane 910 horn £38.50  
 Fane 920 horn

Goodmans 8P 8 or 15 ohm £5.00  
 Goodmans 10P 8 or 15 ohm £5.30  
 Goodmans 12P 8 or 15 ohm £12.95  
 Goodmans 12P-D 8 or 15 ohm £12.75  
 Goodmans 12P-G 8 or 15 ohm £15.75  
 Goodmans Audiomax 12AX 100 watt £37.50  
 Goodmans Audiomax 15AX £40.00  
 Goodmans 15P 8 or 15 ohm £21.00  
 Goodmans 18P 8 or 15 ohm £39.00  
 Goodmans Midax 750 £16.00  
 Goodmans Axent 100 tweeter £7.25  
 Goodmans Audiom 100 12" £12.00  
 Goodmans Axiom 401 12" £17.25  
 Goodmans Twinaxiom 8 £8.25  
 Goodmans Twinaxiom 10 £9.00  
 Kef T27 £5.25  
 Kef T15 £6.00  
 Kef B110 £7.00  
 Kef B100 £8.00  
 Kef B139 £12.75  
 Kef DN8 £2.00  
 Kef DN12 £4.50  
 Kef DN13 £2.75  
 ST C4001 G super tweeter £5.19  
 Richard Allan CG8T 8" d/c r/surr. £6.35  
 Wharfedale Super 10RS/DD £9.80  
 2 1/2" 64 ohm, 70mm 80 ohm, 70mm 8 ohm 65  
 2 1/2" 75 ohm 50  
 7" x 4" 3 or 8 ohm £1.40  
 8" x 5" 3 or 8 ohm £1.50  
 10" x 6" 3, 8 or 15 ohm £2.30

## SPEAKER KITS

Baker Major Module each £10.75  
 Fane Mode One each £9.90  
 Goodmans DIN 20 pair £9.75  
 Helme XLK 25 pair £14.95  
 Helme XLK 30 pair £39.95  
 Helme XLK 50 pair £23.50  
 KefIt 2 each £34.00  
 KefIt 3 each £8.25  
 Richard Allan Twokit each £13.00  
 Richard Allan Triple each £18.50  
 Richard Allan Super Triple each £21.50  
 Wharfedale Linton 2 kit pair £19.25  
 Wharfedale Glendale 3 kit pair £31.50  
 Wharfedale Dovedale 3 kit pair £52.50

## PA/DISCO AMPLIFIERS

(carr. and ins. £1)  
 Baker Major 100 watt £49.75  
 Linear 30/40 £30.00  
 Linear 40/60 £35.00  
 Linear 80/100 £42.00  
 Linear 100 watt slave £44.00  
 Eagle PA range in stock—ask for catalogue.

**Free with speaker orders over £7—**

"Hi-Fi Loudspeaker Enclosures" book. All units guaranteed new and perfect. Prompt despatch. Carriage and packing: speakers 85p each, speaker kits 75p each (£1.50 pair) tweeters and crossovers 20p.

**ALL PRICES QUOTED INCLUDE VAT.**

**WILMSLOW AUDIO (Dept. PW)**

Loudspeakers: Swan Works, Bank Square, Wilmslow, Cheshire. SK9 1HF  
 Discount Radio, PA, Hi-Fi: 10 Swan St. Wilmslow  
 Send stamp for free booklet "Choosing a Speaker"

## SINCLAIR CALCULATORS



Cambridge Kit £11.95 (£1.55)  
 Cambridge Assembled £16.95 (£2.00)  
 New Sinclair Scientific £30.95 (£4.25)

## FERRANTI ZN414

IC radio chip with data £1.20 (23p). Also available kit of extra parts to complete a radio £2.45 (45p). Send sae for free leaflet.

## SINCLAIR PROJECT 80



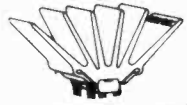
AFU £5.95 (80p)  
 Z40 £4.65 (67p)  
 Z50 £5.95 (80p)  
 PZ5 £4.20 (87p)  
 PZ6 £4.28 (55p)  
 PZ8 £6.95 (92p)  
 PZ8 £5.95 (92p)  
 Decoder £6.45 (85p) Trans for PZ8 £3.35 (50p)  
 Tuner £9.95 (£1.20) Stereo 80 £9.95 (£1.20)

## SINCLAIR GOES QUADRAPHONIC !!

Introducing the Napolex QA10 self-contained matrix quadraphonic synthesizer. Just feed the output of a Project 80 stereo system into it and hook on 4 speakers to obtain the latest experience in sound. Send for free leaflet. Only £9.95 (£1.30)



## SINCLAIR SUPER IC12



6W rms power. With 44 page booklet and printed circuit £2.10 (43p)

## SWANLEY IC TOMORROW

£1.80 (40p)  
 The world's most powerful IC amplifier. Similar to IC12 but rated at 10W r.m.s. power. Supplied with data but no printed circuit. Write for leaflet.

## DELUXE KIT FOR THE IC12

Includes all parts for the printed circuit and volume, bass and treble controls needed to complete the mono version £1.80 (27p). Stereo model with balance control £3.60 (48p)

## IC12 POWER KIT

Supplies 28V 0.5 Amps £2.87 (50p)

## LOUDSPEAKERS FOR THE IC12

5" 8 ohm £1.10 (27p). 5" x 8" 8 ohm £1.55 (37p)

## PREAMP KITS FOR THE IC12

Type 1 for magnetic pickups, mics and tuners. Mono model £1.35 (25p). Stereo model £2.40 (36p)  
 Type 2 for ceramic or crystal pickups. Mono 65p (18p). Stereo £1.30 (25p)

SEND SAE FOR FREE LEAFLET ON KITS

## BATTERY ELIMINATOR BARGAIN



The most versatile battery eliminator ever offered. Switched output of 3, 4, 6, 7, 9 and 12V at 500mA. £4.15 (70p)

Other eliminators stocked:  
 250mA.—3 way switched model giving 6, 7, 9 and 9V £2.95 (60p).

50mA: 6V £1.80 (40p). 9V £1.80 (40p). 7.5V cassette type £2.25 (40p). Double 6V+6V £2.50 (45p). 9V+9V £2.50 (45p)

## S-DECS AND T-DECS

S-DEC £1.88 (31p)  
 T-DEC £3.63 (47p)  
 M-DEC A £3.80 (51p)  
 M-DEC B £6.98 (81p)



IC carriers:  
 16 dll: plain 81p (15p) with socket £1.77 (25p)  
 10 TOS: plain 70p (15p) with socket £1.68 (24p)  
 Experiment guides: A £1.58 (26p), B £1.77 (29p), C 90p (15p), D £2.40 (35p), E £4.28 (53p)

## SWANLEY ELECTRONICS PO BOX 68, SWANLEY, KENT BR8 8TQ.

Please add the surch shown in brackets after the price to cover the cost of post and VAT. Official credit orders from schools etc. welcome. No VAT charged on overseas orders.



## Agfa Cassettes

The best buy!

Agfa Low Noise Cassettes AT LESS THAN HALF PRICE!

AGFA HIGHDYNAMIC SUPER

AGFA STEREO-CHROM CHROMIUM DIOXIDE

	1	5	10
C60	37p	£1.80	£3.50
C90	50p	£2.48	£4.95
C120	63p	£3.10	£6.20
	1	5	10
C60+6	50p	£2.40	£4.70
C90+6	68p	£3.35	£6.60
C120	99p	£4.90	£9.80
	1	5	10
C60	85p	£4.20	£8.30
C90	£1.08	£5.35	£10.60

SAME DAY DESPATCH. P. & P. 15p per order  
**WILMSLOW AUDIO**  
 (DEPT. PW)  
 10 SWAN STREET, WILMSLOW,  
 CHESHIRE, SK9 1HF

Cut-price prerecorded cassettes—send stamp for list

## MEDIUM WAVE BROADCASTS

by CHARLES MOLLOY

**L** THOMPSON (Reading) asks "what about stations deep into Africa" and mentions that with his 17-transistor receiver, a 130ft long-wire aerial and aerial tuning unit he enjoys regular reception of Radio Dakar, Senegal on 764kHz (this station signs-off at midnight GMT). A number of Africans are heard regularly on the medium waves in the UK, the most conspicuous being Conakry in the Republic of Guinea on 1403kHz. Listen for African music after 2300hrs when the French chain on this frequency has signed off. Another regular is Bissau in nearby Portuguese Guinea which operates on 1070kHz and can be logged until 0200hrs. Radio Kinshasa in the Republic of Zaire is on the air all night on 692kHz, a frequency it shares with East Germany but a MW loop aerial will minimise interference. From Spanish Sahara, EAJ203 at El Aaiun is logged occasionally on 656kHz while further south in Nigeria, Radio Enugu on 1320kHz can be heard at 2300hrs GMT in English before it closes down at 2305hrs. Tenerife in the Canary Islands is often a strong signal at midnight on 620kHz with programming in Spanish.

**John Porter** who lives in Baslow, Derbyshire, has a Trio 9R59DS communications receiver and a MW loop aerial. His log includes Oran, Algeria on 548kHz; Voice of America relay at Kavalla, Greece on 791kHz; Agadir, Morocco on 935kHz; Algiers 980kHz; El Beida, Libya 1124kHz; Voice of Morocco, Tangiers 1232kHz; America Forces Network stations at Frankfurt 872kHz; Berlin 935kHz; Munich 1106kHz; Stuttgart 1142kHz; and BBC local radio stations at Blackburn 854kHz; Solent 998kHz; Leeds 1106kHz; Derby 1115kHz; Manchester 1457kHz; Birmingham 1457kHz; Stoke 1502kHz; Bristol 1546kHz; Teesside 1546kHz and Leicester on 1594kHz.

**Julian Allen** reports again from Hadleigh, in Suffolk. With his Audiosonic transistor portable he has pulled-in Beromunster in Switzerland on 527kHz; Ain Beida, Algeria on 533kHz; Oran, Algeria on 548kHz; AFN Stuttgart on 1142kHz.

A number of European stations on the medium waves carry programming in English. **Brian Robinson** (Belfast) has compiled a list of such transmissions heard on his Cossor 1506A radiogram and 20 metre longwire aerial. Radio Portugal on 755kHz at 2300hrs; AFN Frankfurt on 872kHz; Milan, Italy on 899kHz at 2200hrs; AFN Bremerhaven on 1142kHz; Radio Sweden 1178kHz at 2300hrs; Voice of America Rhodes, Greece on 1259kHz at 2235hrs; Dublin on 1250kHz; Deutschlandfunk 1268kHz at 1813hrs; Radio Prague 1286kHz at 2200hrs; Radio Tirana, Albania 1394kHz at 2200hrs; Trans World Radio, Monte Carlo 1466kHz at 2300hrs; Radio Warsaw 1502kHz at 2240hrs; Radio Berlin International 1511kHz at 2200hrs. All times in GMT. Brian reports hearing BBC local radios at Carlisle (Main) on 755kHz; Blackburn 854kHz; Leeds 1106kHz; Carlisle (Relay) 1457kHz; Merseyside 1484kHz; Manx Radio, Isle of Man on 1255kHz and on 1594kHz; IBA Radio Clyde on 1151kHz.

**David Fitton** of Oldham was in luck when he logged BBC Radio Blackburn. As well as sending in a reception report David replied to an on-the-air competition. His reward was an LP and a mention of his DXing activities over the air. Congratulations David.

## SHORT WAVE DX

by MALCOLM CONNAH

**T** HIS is the sixtieth article that I have prepared in this series representing the end of five years of work for *Practical Wireless*. Unfortunately, it must also be the last article.

I would like to take this opportunity to thank all those of you who have written to me during the last five years, some of the letters have been very interesting indeed. Reports, logs and letters should, in future, be addressed direct to the Editor (address on contents page).

I think that the most fitting way to end is by giving the last word to those of you who have contributed reports this month so here we go.

**Brian Cox** of Wimbledon has a Civic R4500 domestic receiver which when connected to 40 feet of wire via a 'PW' ATU produced the following:

6045 R. Nederland in English at 1000.  
6055 R. Sweden in English at 1600.  
6165 Swiss BC in English at 1100.  
7230 Monte Carlo (TWR) in French at 1100.  
11775 RNE, Spain in Spanish at 2200.  
15092 R. Canada Int. in English at 1200.  
15150 R. Finland in English at 2100.  
15320 R. Australia in English at 2300.  
15330 Austrian Radio in German at 0900.  
15445 R. Nacional, Brazil in Portuguese at 2200.  
17820 R. Canada Int. in English at 2000.

**Albert E. Ord** of South Shields will shortly be changing his QTH but one final fling with his Trio 9R59-DS, Hamgear preselector and Joystick antenna produced the following results:

4800 R. Lara, Venezuela in Spanish at 0300.  
4955 R. Nacional, Bogota in Spanish at 0037.  
4965 RSA, South Africa in English at 2130.  
5038 Bangui, Cent. Afr. Rep. in French at 2215.  
5047 Lome, Togo in French at 2223.  
5075 R. Sutatenza in French at 0015.  
6055 R. Australia in English at 1200.  
9655 R. Damascus, Voice of the Arab Republic.  
11915 HCJB, Quito, Ecuador in English at 0930.  
15265 R. Afghanistan in English at 1130.  
15400 R. Baghdad in English at 1415.  
15520 R. Pakistan in English at 1300.

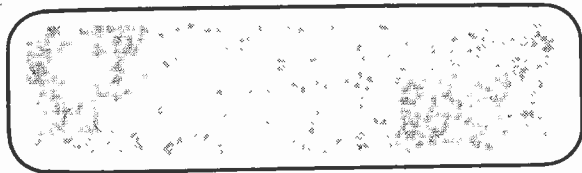
Over to Australia now for a report from **Grahame Manns** of Balgownie who used an HMV Multiband 4710 and 14 feet of wire to pick up the following:

6030 FEBC, Manilla noted at 2040.  
9625 R. Canada Int. noted at 1925.  
9950 R. Nederland at 1830.  
15115 HCJB, Quito, Ecuador, at 1900.  
15235 NHK, Japan noted at 1948.  
17850 R. Rumania noted at 1650.  
21520 Swiss BC noted at 2106.

**Mr. T. Lewis** of Worcester rounds things off with this report obtained from his 10 transistor domestic receiver and 75 foot end-fed:

9590 R. Norway in English at 1412.  
9690 R. Pakistan in English at 1745.  
9770 R. Australia in English at 1705.  
11755 R. Finland in English at 2047.  
11980 R. Vilnius in English at 2230.  
15085 R. Tehran, Iran in Farsi at 1855.  
15150 La Voz de Chile in Spanish at 2145.  
15185 WINB, Red Lion, USA in English at 2130.

In conclusion I wish you all the best of luck and good DX for the future.



by Eric Dowdeswell G4AR

**P**ROBLEMS, problems! The delays in our publishing dates, a month for our July issue, make rather a nonsense of the idea of providing any up-to-date station information on this page. Still, as we do not have any control over these matters let's press on and hope to catch up 'ere long.

### Reports

**Michael Crimes** BRS34885 (Exeter) takes me to task, in a pleasant way, for neglecting the VHF bands! I can only print reports that I receive, so let me appeal to readers who spend their time on these bands to help me out. Michael, who lives at 7 Mount Pleasant Road, Exeter, Devon would like to correspond with other VHF types with a view to exchanging reports and information. He suggests the formation of a VHF/UHF Listeners Club, given sufficient support, so get out the 4<sup>1/2</sup>p stamps lads and go to it! I'd be glad to help in any way I can. Michael has a Microwave Modules 2m converter into a Trio 9R59DS and, at the moment, an indoor dipole. Such a set-up deserves a better signal 'putter-in' and Michael has promised an outside array very soon.

**Derek Harding** (Godstone, Surrey) joins our merry band with an interesting log but bemoans bad manners by operators on 80m SSB. However, the example he quotes is detergent-white compared to some things I've heard on that band, so be prepared for shocks, Derek! Unfortunately, bad manners are commonplace today but I don't think that there are many amateurs who would deliberately offend and thus threaten the existence of their hobby. Following a motor accident Derek has had more time to use his rig, a modified Codar MB6, PR40 and home-made ATU all fed from a G5RV aerial which is mostly at 30 ft. Get well soon, even if it means fewer reports!

**Michael Rump** (Brighton) has an 1155 (ugh!) and a Codar CR70A with the option of 132ft of wire 20ft up or a 20m quarter wave vertical. Terse?? but that's

all I have! I'm sure Michael will relent and relax now that he has some of my log sheets!

**Keith Ranger** (Colchester) ex 9M2RK (shouldn't it have been KR??) is "now more interested in the receiving side" Peculiar fellow! However his efforts have produced a very small three transistor receiver covering six amateur bands and which, with ATU, aerial and earth wires and headset still weighs less than 4lbs. and only takes 5mA at 9V! (Article on the way, don't worry!)

**John Porter** is with us again and is obviously picking out the juicy ones as requested, judging by his log fed from his Trio 9R59DS and multiband dipole. He's pleased with his 2m receiver, from the design published in the Nov. 73 issue of PW. Mainly G8 + 3's in the log at the moment but I'm sure he will soon be reaching out to more exotic calls.

Looks like my free log plan may backfire on me! They are coming back thick and fast and hardly a single run-of-the-mill call among them from 10 to 160m. Let's not hear any more about bad conditions! In my experience too much is blamed on 'conditions' when so often it is just plain lack of activity. Listen to the 'silence' before a major contest on 15 or 20m and then to the bedlam as it begins!

All of you out there with receivers designed to copy SSB have a very easy life compared to **Simon Dabbs** of Birmingham who uses the time-honoured HAC one-valver! He feeds it into a transistor amplifier but that doesn't reduce the finesse required to get those SSB stations. Things are made a bit harder for Simon by restricted space for aerials and at the moment a folded dipole intended for 10m use is used on all bands. I'm sure Simon will now be sufficiently enthusiastic to want to expand his equipment to get maximum efficiency on all bands.

### Log extracts

**M. Crimes:-** 2m GC3YIZ GC8AAZ/M FICOF F5XA ON4PB all AM.

**D. Harding:-** 20m HV3SJ M1D VE3CPJ/SU ZD9BT 6W3AU 15m AC3VC (nice!) TR8VE 10m XQ3CZ.

**M. Rump:-** 40m VK2AVA VK7GK 20m OX9RJ VP2DM WA5KGGH/AM (at 31,500ft) ZL1ON ZP7ZE 5X5JS (brave man!) 15m ZS3AW 8P6CG 9X5KD.

**K. Ranger:-** 20m FG7XC JW1SO 9M2FK EP2RM FC0UH/M UL7FA VE8DC 15m 6W8DW VQ9NC ZP5VO 10m ZE8JJ CP6BS.

**J. Porter:-** 20m AP2KS (1700) EA8IP (2330) JA9JAI (1730) KA6DE XW8GB (1700) 9Y4VV LX1GM TI2WB VU2DK (1330) WA6EVX/P/KG6 (Guam 1730) 3A2CP 7Q7LB 15m C21CI (Nauru 2230) CP1DN ((2130) CX6AM (2100) HC1HK (2200) HP1DD VP2MHK VP2SQ YS1GMV 5U7AZ 6W8AAD 9Y4CR 10m HV3SJ ZS3AW (1060).

**S. Dabbs:-** CX6AM (2030) FL8OM (1900) OY1M ZB2A ZB2BL 9G1AZ.

CW stations in bold, remainder SSB.

### BROADCAST BANDS

**Short Wave Reports** by 15th of the month to Malcolm Connah, 27 Lismore Road, Highworth, Swindon, Wiltshire, SN6 7HU.

**Medium Wave Logs** to Charles Molloy, 132 Segars Lane, Southport, PR8 3JG.

**VHF/FM Reports** to Simon David, c/o Practical Wireless, Fleetway House, Farringdon Street, London, EC4A 4AD.

### AMATEUR BANDS

Logs covering any amateur band/s in band/alphabetical order by the middle of the month to **Eric Dowdeswell G4AR, Silver Firs, Leatherhead Road, Ashstead, Surrey, KT21 2TW.**





and make no mistake

**AUDIOTRONIC Model ATM1**  
Top value 1,000 opv pocket multi-meter. Ranges: 0.1/0.5/2.5/10/100 volt AC and DC. DC current 0.1mA/100mA. Resistance: 0/150k ohms. Decibels: -10 to +22dB. Size 90 x 60 x 28mm. Complete with test leads.  
**OUR PRICE £3.25** P&P 15p

**AUDIOTRONIC Model ATM5**  
Jewel movement, attractively moulded case with edgewise ohms adjustment. Ranges: 0.3/1.5/15/300/1200V AC, 2500 opv, 0.6/3/30/300/600V DC, (5000 opv), 0.300 uA/0.300mA DC. Resistance: x 10, x 100, -10 to +16dB. Supplied with battery test leads and data booklet. Size: 121 x 73 x 29mm.  
**OUR PRICE £3.95** P & P 20p

**MODEL TH12**  
20,000 opv. Overload protection. Slide switch selector. 0/0.25/2.5/10/50/150/1000V DC, 0/10/50/250/1000V AC, 0/50uA/25/250mA DC, 0/3k/30k/300k/3 Megohms. -20 to +50dB.  
**OUR PRICE £5.95** P&P 30p

**HIOKI Model 720X VOM**  
A versatile, accurate measuring instrument for general electrical use. 20,000 opv. 0/5/25/100/500/1000V DC, 0/10/50/250/1000V AC, 0-50uA/250mA, 0-20k/2 Megohms.  
**OUR PRICE £5.97** P&P 30p

**MODEL PL436**  
20,000 opv DC, 8000 opv AC. Mirror scale. 6/3/12/30/120/800V DC, 3/30/120/600V DC, 50/600uA/60/600mA, 0-100k/1 Meg/10 Meg Ohm. -20 to 46dB.  
**OUR PRICE £6.97** P&P 30p

**U4323 MULTIMETER**  
20,000 opv. Simple unit with audio/IF oscillator. Suitable for general receiver tuning. Ranges: 0.5/2.5/10/50/250/500/1000V DC, 2.5/10/15/250/500/1000V AC, 0.05/0.5/5/50/500mA DC. Resistance x 10, x 100, x 1,000, x 10,000 (50k). 600k, 50k (centre scale) Battery operated. Size: 160 x 97 x 40mm. Supplied in carrying case complete with test leads.  
**OUR PRICE £7.00** P&P 30p

**MODEL HIOKI 730X**  
30,000 opv. Overload protection. 6/30/60/300/600/1200V DC, 12/60/120/600/1200V AC, 60uA/30mA, 300mA, 2k/200k, 2 Meg Ohm. 10 to 63dB.  
**OUR PRICE £7.50** P&P 30p

**U4324 MULTIMETER**  
High sensitivity, over load protected. 20,000 opv. Ranges: 0.6/1.2/3/12/30/60/120/600/1200V DC, 3/6/15/60/150/300/600/900V AC. Current: 0.06/0.6/6/60/600mA/3A DC, 0.3/3/30/300mA/3A AC. Resistance: 25/500 ohms/0.5/5/50/500k ohms/5 Mohms. Decibels: -10 to +12dB. Size 167 x 98 x 63mm. Supplied complete with test leads, spare diode and instructions.  
**OUR PRICE £8.00** P&P 30p

**U435 MULTIMETER**  
20,000 opv. Overload protected. Ranges: 75mV/2.5/10/25/100/250/500/1000V DC, 2.5/10/25/100/250/500/1000V AC. Current: 50uA/1/5/25/100mA/0.5/2.5A DC, 5/25/100mA/0.5/2.5A AC. Resistance: 0.3/3/30/300k ohms. Size: 205 x 110 x 84mm. Supplied complete with leads, crocodile clips and steel carrying case.  
**OUR PRICE £8.75** P&P 30p

**U4312 MULTIMETER**  
extremely sturdy and rugged for general electrical use. 6670Vp. 0/0.3/1.5/7.5/30/60/150/300/600/900V DC & 75mV, 0/0.3/1.5/7.5/30/60/150/300/600/900V AC, 0/300uA/1.5/6/15/150/60/600mA/1/1.5/6A DC, 0/1.5/15/60/150/600mA, 1.5/6A AC, 0/200k/30k/30k ohms. DC accuracy 1%, AC 1.5%. Knife edge pointer, mirror scale. Complete with test metal carrying case, leads and instructions.  
**OUR PRICE £9.75** P&P 50p

**U91 Clamp VOLT AMMETER**  
For measuring AC voltage and current without breaking circuit. Ranges: 300/600V AC. Current: 10/25/100/250/500A AC, 0.5/5uA/5/25/253 x 94 x 36mm. Complete with carrying case, leads and fuses.  
**OUR PRICE £10.50** P&P 30p

**MODEL 500**  
30,000 opv with overload protection. Mirror scale. 0/0.5/2.5/10/25/100/250/500/1000V DC, 0/2.5/10/15/250/500/1000V AC, 0.05/0.5/5/50/500mA DC, Resistance x 10, x 100, x 1,000, x 10,000 (50k). 600k, 50k (centre scale) Battery operated. Size: 160 x 97 x 40mm. Supplied in carrying case complete with test leads.  
**OUR PRICE £13.95** Carr. paid  
Leather case for above £1.75

**HIOKI 750X VOLT-OHM-MILLIAMMETER**  
43 ranges. 0-0.3/0.6/1.5/3/6/12/30/60/150/300/600/1200V DC, 0-3/6/15/30/60/120/300/600/1200V AC. Current: 0-30/60uA, 1.5/3/15/30/150/300 mA/6/12A, Resistance 0-3/300k/3/30Mohms. Decibels: -10 to +17dB. Output: -0.3/6/15/30/60/120/300V. Accuracy ± 3% DC, ± 4% AC. Sensitivity: 50,000 opv DC, 5,000 opv AC. 4 inch meter. Built in protection. Size 57 x 102 x 153mm.  
**OUR PRICE £11.95** P&P 40p

**TKM MODEL TW50K**  
46 ranges, mirror scale. 50kV AC, 50kV DC. DC Volts 0.125/0.25/1.25/2.5/5/10/25/50/100/250/500/1000. AC Volts 1.5/3/15/25/50/125/250/500/1000. DC current 25/50uA/2.5/5/25/50/500mA/5/10A, Resistance 100k/1 Meg/10 Meg ohms. -20 to +81.5dB.  
**OUR PRICE £12.50** P&P 20p

**HIOKI Model 700X**  
100,000 opv. Overload protection. Mirror scale. 0.3/0.6/1.2/1.5/3/6/12/30/60/120/300/600/1200V DC, 1.5/3/6/12/30/60/150/300/600/1200V AC, 15/30uA/3/6/30/60/150/300mA/6/12A DC, 2k/200k/2M/20Mohms. -20 to +63dB.  
**OUR PRICE £14.95** P&P 30p

**Model HT10084 MULTIMETER**  
Overload protection, shock proof circuits. 9.5uA Meter with mirror scale. Sensitivity 100k. Polarity change switch. Ranges: 0.5/2.5/1.5/5/25/100/500/1000V DC, 2.5/10/50/100/500/1000V AC. DC resistance 0-20/200k/2/20 Meg ohms. DC current: 0-10/250uA/2.5/25/250 mA/10A, AC current: 0-10A, -20 to +62dB. Operates from 2 x 1.5V batteries. Size: 180 x 134 x 79mm.  
**OUR PRICE £17.50** P&P 40p

**MODEL AS 1000 VOM**  
100,000 opv. Mirror scale. Built-in meter protection 0.3 12/60/120/300/600/1200V DC, 0/6/30/120/300/600V AC 0/10uA 6/60/300mA 12 Amp 0.2k/200k/2M/200 Meg Ohm -20 to 17dB.  
**OUR PRICE £17.50** P&P 30p.

**KAMODEN TT35 TRANSISTOR TESTER**  
High quality instrument to test reverse leak current and DC current. Amplification factor of NPN, PNP diodes, transistors, SCR's etc. 4 square clear scale meter. Operates from internal batteries. Complete with instructions, leads carrying handle.  
**OUR PRICE £17.50** P & P 40p

**KAMODEN 360 MULTIMETER**  
High sensitivity. DC 100k/1000V, AC 10kohm/V 5" mirror scale, overload protected. Ranges: 0.5/2.5/10/50/250/1000V DC, 5/10/50/250/1000V AC, Current: 0.01mA/0.5/5/50/500mA/10A, Resistance: 0.1/1/10/100k ohms/10/100M ohms. Decibels: -20 to +62dB. Battery operated. Size: 180 x 140 x 80mm. Supplied complete with test leads etc.  
**OUR PRICE £17.50** P & P 40p

**TKM MODEL 117 FET ELECTRONIC VOLT METER**  
Battery operated. 11 Meg input, 25 ranges. Large 4" mirror scale. Size: 145 x 115 x 50mm. 0.3-12000V AC, 3-300V RMS AC, 8-800V P-P. Decibels: -12 to +51dB. Resistance up to 2000M ohms. Decibels -20 to +51dB. Supplied complete with leads and instructions.  
**OUR PRICE £18.50** P&P 20p

**TKM 100K LAB TESTER**  
100,000 opv, 6 1/2" scale. Buzzer short circuit check. Sensitivity 100,000 opv DC, 5kV AC DC Volts: 0.5/2.5/10/50/100/1000V AC, 3/10/50/250/500/1000V DC, current 10/100uA/10/100/1000mA/2.5/10A, Resistance: 1k/10k/100k/1M/100 Meg ohms. Decibels: -10 to +49dB. Plastic case with carrying handle. Size: 190 x 172 x 98mm.  
**OUR PRICE £19.95** P&P 30p

**76WTR MULTIMETER**  
Features AC current ranges, 20,000 opv. 0/0.2/5/10/50/250/500/1000V DC, 0/2.5/10/50/250/500/1000V AC, 50/1000V AC, 0/500mA/1/10/100 mA/10A DC, 0/100mA/1/10A AC, 0/5k/50k/500k/5 Meg Ohms. Decibels: -20 to +62dB.  
**OUR PRICE £19.95** P&P 30p

**KAMODEN 72.200 Multitester**  
High sensitivity tester. 20,000 opv. Overload protected. Mirror scale. Ranges: 0.1/0.6/3/3/30/120/600/1200V DC, 0/3/12/60/300/600/1200V AC, 0/1.2mA/120mA/600mA/12A DC, 0/1/2A, -20 to +63dB, 0/2/200/2 Meg/200 Megohms.  
**OUR PRICE £22.50** P&P 30p

**U4317 MULTIMETER**  
High sensitivity instrument for field and laboratory work. Knife edge pointer, 86mm mirror scale. Ranges: 100mV/0.5/2.5/10/25/50/100/250/500/1000V DC, 0.5/2.5/10/25/50/100/250/500/1000V AC, Current: 50uA/0.5/1.5/10/50/250mA/1.5A DC, Resistance: 0.5/1/5/10/100/200 ohms/1/3/30/300k ohms. Decibels: -5 to +10dB. Battery operated. Size: 210 x 115 x 90mm. Supplied in carrying case complete with leads.  
**OUR PRICE £15.00** P&P 40p

**MODEL U4311 Sub-standard Multi-range Volt-Ammeter**  
Sensitivity 330 Ohms/Volt AC and DC. Accuracy 0.5% DC, 1% AC. Scale length 165mm. 0/300/750uA/1.5/3/7.5/15/30/75/150/300/750mA/1.5/5/7.5A DC, 0/3/7.5/15/30/75/150/300/750V AC, 1.5/3/7.5A AC, 0/75/150/300/750mV/1.5/3/7.5/15/30/75/150/300/750V DC, 0/750mV/1.5/3/7.5/15/30/75/150/300/750V AC. Automatic cut out device. Supplied complete with test leads, manual and test certificates.  
**OUR PRICE £49.00** P&P 50p

**TE65 VALVE VOLTMETER**  
28 ranges, DC volts 1.5-1500V, AC volts 1.5-1500V. Resistance up to 1000 Megohms, 200/240V AC operation. Complete with probe and instructions.  
Additional probes available: RF £2.12, HV £2.50  
**OUR PRICE £17.50** P&P 50p

**LB3 TRANSISTOR TESTER**  
Tests I/O and B. PNP/NPN. Operates from 9V battery. Instructions supplied.  
**OUR PRICE £3.95** P&P 20p

**MODEL AF.105 VDM**  
50,000 opv. Mirror scale. Meter precision. Ranges: 0/3/12/60/120/300/600/1200V DC, 0.6/30/120, 300/600/1200V DC, 0/30uA/60/300 mA/12 Amp, 0/10k/1m/10M/100 Meg Ohms. 20 to 17dB.  
**OUR PRICE £12.50** P&P 30p.

**LB4 TRANSISTOR TESTER**  
Tests PNP or NPN transistors. Audio indication. Operates on two 1.5V battery. Complete with instructions etc.  
**OUR PRICE £4.50** P&P 20p

**U4341 Multimeter & Transistor Tester**  
27 ranges. 16,700 opv. Overload protected. Ranges: 0.3/1.5/6/30/60/150/300/900V DC, 0.3/3/30/300mA/150/300/750V AC, Current: 0.06/0.6/6/60/600mA DC, 0.3/3/30/300mA AC. Resistance: 0.25/0.6/2/6/20/60/200k ohms/2 Mohms. Battery operated. Supplied complete with probes, leads and steel carrying case. Size: 115 x 215 x 90mm.  
**OUR PRICE £10.50** P&P 30p

**5100TR MULTIMETER TRANSISTOR TESTER**  
100,000 opv. Mirror scale. Overload protection. 0/0.12/0.6/3/12/30/120/600V DC, 0/6/30/120/600V AC, 0/120/600V AC, 0/12/600uA/12/300mA/6/12A DC, 0/10k/1 Meg/100 Meg. -20 to +50dB, 0.01-0.2 MFD. Transistor tester measures Alpha, Beta and I/O. Complete with instructions, batteries and leads.  
**OUR PRICE £19.95** P&P 25p

**KAMODEN HMG500**  
insulation resistance tester. Range 0-1,000 Megohms, 500V. Battery operated. Wide range clear scale. Complete with deluxe carrying case, batteries and instructions.  
**OUR PRICE £19.95** P&P 30p

**C15 PULSE OSCILLOSCOPE**  
For display of pulsed and periodic waveforms in electronic circuits. VERT. AMP. Bandwidth: 10MHz. Sensitivity at 100kHz V/RMS/mm: 0.2-25; HOR. AMP. Bandwidth: 500kHz. Sensitivity at 100kHz V/RMS/mm: 0.2-25. Preset triggered sweep 1-3000uscc. Free running 20-200kHz in nine ranges. Calibrator pips. 220 x 360 x 300mm. 115-230V AC.  
**OUR PRICE £39.00** Carr. paid


**RUSSIAN C116 Double Beam OSCILLOSCOPE**  
5 MHz pass band. Separate Y1 and Y2 amplifiers. Rectangular 5" x 4" CRT. Calibrated triggered sweep from 0.2uscc. to 1500/1500mA. Free running time base 50Hz-1MHz. Built-in oscilloscope. Calibrator and amplitude Calibrator. Supplied complete with all accessories and instruction manual.  
**OUR PRICE £87.00** Carr. paid

**ALL PRICES EXCLUDE VAT**

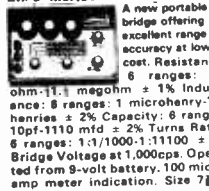
**MODEL TE15 GRID DIODE METER**  
 Transistorised. Operates as Grid Diode. Oscillator, Absorption Meter and Oscillating Detector. Frequency range 440kHz-2800kHz in air coils. 500uA meter. 9V battery operation. Size: 180 x 80 x 40mm.  
**OUR PRICE £18.95** P&P 50p




**SWR METER Model SWR3**  
 Handy SWR meter for transmitter antenna alignment, with built-in field strength meter. Accuracy 9%. Impedance 50 Ohm. Indicator 100uA DC. Full scale 5 section collapsible antenna. Size 148 x 50 x 60mm.  
**OUR PRICE £4.25** P&P 30p




**TRANSISTORISED L.C.R. A.C. BR/8 MEASURING BRIDGE**  
 A new portable bridge offering excellent range and accuracy at low cost. Resistance: 6 ranges: 0.1 ohm-11.1 megohm ± 1% Inductance: 8 ranges: 1 microhenry-111 henries ± 2% Capacity: 6 ranges: 10pF-1110 mfd ± 2%. Turns Ratio: 6 ranges: 1:1/1000-1:1/11000 ± 1%. Bridge Voltage at 1,000cps. Operated from 9-volt battery. 100 microamp meter indication. Size 71" x 5" x 2"  
**OUR PRICE £25.00** P&P 30p




**TE18A TRANSISTORISED SIGNAL GENERATOR**  
 5 ranges, 400kHz to 30 MHz. An inductance instrument for the handy-man. Operates on 9V battery. Wide easy to read scale. 800kHz modulation. Size: 148 x 148 x 92mm. Complete with instructions and leads.  
**OUR PRICE £8.97** P&P 30p



**MODEL TE20 RF SIGNAL GENERATOR**  
 Six bands, 120kHz-280MHz. Dual output RF terminals. Separate variable audio output. Accuracy ± 2%. Audio output to 8V. Power requirements: 105-125V, 220-240V AC. Size: 193 x 295 x 150mm. Complete with test leads etc.  
**OUR PRICE £17.50** P&P 50p




**TE-20D RF SIGNAL GENERATOR**  
 Accurate wide range signal generator covering 120 kHz-500 MHz on 6 bands. Directly calibrated. Variable R.F. attenuator audio output. Xtal socket for calibration. 220/240V a.c. Brand new with instructions. Size 140mm x 215mm x 170mm.  
**OUR PRICE £17.50** P&P 50p



**TE22 SINE SQUARE WAVE AUDIO GENERATOR**  
 Sine 20cps to 200kHz on 4 bands. Square 20 cps to 30 kHz. Output impedance 5000 Ohms. 200/250V AC operation. Supplied brand new guaranteed, with instruction manual and leads.  
**OUR PRICE £24.95** P&P 50p




**ARF 300 AF/RF SIGNAL GENERATOR**  
 All transistorised compact fully portable. AF sine wave 18Hz to 220 kHz. AF square wave 18Hz to 100kHz. Output Square/Sine wave 10V. P.P. RF 100kHz to 200MHz. Output 1V maximum. 220/240V AC operation. Complete with instructions and leads.  
**OUR PRICE £37.50** P&P 50p




**SINCLAIR IC12 INTEGRATED CIRCUIT AMPLIFIER**  
 complete with printed circuit mounting board.  
**OUR PRICE £1.50** P & P 15p.




**PS200 Regulated POWER SUPPLY UNIT**  
 Solid state. Variable output 5-20V DC up to 2 Amp. Independent meters to monitor voltage and current. Output 220/240V AC. Size: 150 x 138 x 98mm.  
**OUR PRICE £19.95** P&P 50p



**POWER RHEOSTATS**  
 High quality ceramic construction. Windings embedded in vitreous enamel. Heavy duty brush wiper. Continuous rating. Single hole fixing. 1/4" diameter shafts. Bulk quantities available.  
**25 WATT 10/25/50/100/500/1000/2500 ohms. £1.15 P&P 10p**  
**50 WATT 10/50/100/250/500/1500/5000 ohms. £1.62 P&P 10p**  
**100 WATT 1/5/10/25/50/250/500/2500 ohms 100 Ohms £2.34 P&P 15p**




**CP110 CHASSIS PUNCH SET**  
 Carefully machined top grade steel. Contains 1/2", 5/8", 3/4", 1" and 1 1/8" punches complete with gripper and accessories.  
**OUR PRICE £3.00** P&P 40p



**KE630 3 Station INTERCOM**  
 Master and two sub-stations. Can be used on desk or wall mounted. Complete with cable and batteries.  
**OUR PRICE £5.25** P&P 50p



**EMI LOUDSPEAKERS**  
 Model 250 13 x 8" with single tweeter/crossover. 20-20,000Hz. 8 watts RMS. Available 8 or 15 ohms.  
**OUR PRICE £7.50 each P&P 37p**  
 Model 450 13 x 8" with twin tweeter/crossover. 55-13,000Hz. 8 watts RMS. Available 8 or 15 ohms.  
**OUR PRICE £3.62 each P&P 35p**




**SPECIAL PURCHASE LIMITED QUANTITY! Tannoy 12" DR/8 Bass Speakers**  
 8 ohms 30 watt Heavy duty, ideal for Hi-Fi P.A. Group  
**OUR PRICE £12.50** P&P 50p



**SPECIAL BARGAIN! FERGUSON 3406 HI-FI SPEAKERS**  
 High quality 2 way speaker systems. 25 Watts. 4-8 ohms. 40Hz-18kHz. Size: 560 x 340 x 255mm, approx. Wood grain finish with black fronts.  
**OUR PRICE £22.50 PR. P&P £1**



**AUDIOTRONIC LE-102A INTERCOMS**  
 This new exclusive compact intercom offers the finest '2 station' value currently available. Beautifully made and finished in two-tone ivory/buff, the LE-102A is useful in the home, office or shop and is suitable for use as baby alarm. Wall or desk mounting. 57mm speaker/mic gives clear 2-way communication with on/off and volume control on master unit. Operates on 9V batt. Approx. 60ft lead.  
**OUR PRICE £3.95** P & P 30p



**LH02S STEREO HEADPHONES**  
 Light weight head-phones with padded ear pieces. 4/16 ohms 20-20,000Hz. Complete with 6' lead and plug.  
**OUR PRICE £1.97** P&P 30p



**OH02S STEREO HEADPHONES**  
 Wonderful value and excellent performance combined. Adjustable head band. Impedance 8 ohms. 20-12,000Hz. Complete with lead and plug.  
**OUR PRICE £2.25** P&P 30p



**TE1035 Stereo HEADPHONES**  
 Low cost with excellent response. Foam rubber earcups. Adjustable headband. 8 ohms impedance. Frequency response 25Hz-18kHz. Complete with cable and stereo jack plug.  
**OUR PRICE £2.60** P&P 30p



**SDH8V MONO/STEREO HEADPHONES**  
 Volume control for each channel, 4/16 ohms impedance. Frequency response 20Hz-18kHz. Complete with 10ft. coiled lead and jack plug.  
**OUR PRICE £4.97** P&P 30p



**BH01 HEADSET and Boom Microphone**  
 Moving coil. Ideal for language teaching. Complete with communications etc. Headphone impedance 16 ohms. Microphone impedance 200 ohms.  
**OUR PRICE £5.95** P&P 50p



**HANIMEX HRC 3075 CASSETTE RADIO**  
 Covers Medium and FM wavebands. Slider volume and tone controls. Battery Mains operation. Will record direct from radio or through built in condenser microphone. Complete with batteries, earphone, and cassette  
**OUR PRICE £25.00** P & P 50p



**TRITON CT 555 CASSETTE RECORDER**  
 Battery Mains Piano key and slider controls. Automatic level control. Complete with mike and earphone  
**OUR PRICE £10.50** P & P 50p




**ZEPHYR TC1500B CASSETTE RECORDER**  
 Battery Mains Complete with mike, cassette, earphone  
**OUR PRICE £9.95** P & P 50p



**TRITON 4318 PORTABLE 8 TRACK CARTRIDGE PLAYER WITH MW/LW RADIO**  
 Will play 8 track stereo cartridge, fully electronically Channel selector switch Covers medium and long wave bands. Volume and tone controls Earphone socket. Battery Mains operation  
**OUR PRICE £11.95** P & P 50p




**MODEL MG100 SINE SQUARE WAVE AUDIO GENERATOR**  
 Range 19-220,000Hz Sine Wave Output Sine or Square wave 10V P. to P. Size 180 x 90 x 90mm Operation 220/240V AC  
**OUR PRICE £19.95** P&P 50p



**SPECIAL BARGAIN !! STEREO SOUND SPEAKERS**  
 Matched pair of stereo bookshelf speakers. Deluxe finish, veneered finish. Size: 368 x 229 x 190mm. 8 ohms. 8 watts RMS. 16 watts peak. Complete with Din lead.  
**OUR PRICE £12.95 PAIR P&P 50p**



**FM TUNER CHASSIS**  
 6 transistor high quality tuner. Size only 153 x 101 x 63mm 101 x 63mm 101 x 63mm. Double tuned discriminator. Ample output to feed most amplifiers. Operates on 9V battery. Covers 88-108MHz. Ready built, ready for use. Fantastic value for money.  
**OUR PRICE £8.95** P&P 20p  
 Stereo Multiplex Adapter £5.95 extra.



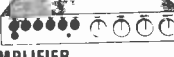
**Model A1018 FM TUNER**  
 6 transistor high quality unit - 3IF stages and double tuned discriminator. For use with most amplifiers. Covers 88-108MHz. Powered by 9V battery.  
**OUR PRICE £13.50** P&P 30p  
 Stereo multiplex adapter £5.95 extra.



**SINCLAIR CALCULATORS**  
 Cambridge Ready Built. List £19.95. Our Price £17.95 P & P 25p.  
 Cambridge Kit. Our Price £13.50 Post Free. Executive. List £39.00. Our Price £35.45 P & P 25p.  
 Executive Memory. List £49.00. Our Price £44.50 P & P 25p.  
 Scientific. List £49.00. Our Price £44.50 P & P 25p.  
 MANY OTHER CALCULATORS IN STOCK FROM AS LITTLE AS £9.95



**SINCLAIR SYSTEM 2000 STEREO AMPLIFIER AND TUNER**  
**AMPLIFIER**  
 Amplifier output 8 watts per channel RMS. Distortion less than 0.06%. Silicon transistors. Two pick-up plus radio and tape inputs. Tape output and scratch filter. Excellent Value.  
**OUR PRICE £27.50** P & P 60p.



**FM TUNER**  
 Excellent selectivity and sensitivity. Twin dual-varicap tuning. 4 pole ceramic filter. 19 transistor stereo demodulator giving 40 dB Post-Det. Distortion 0.2% output. Fantastic Value.  
**OUR PRICE £27.50** P & P 60p.



**SINCLAIR Project 80 Modules**  
 240 Power Amp ..... £5.45 P & P 15p  
 260 Power Amp ..... £9.95 P & P 15p  
 Stereo 80 Pre-Amp ..... £11.95 P & P 15p  
 Active F Filter Unit ..... £8.95 P & P 15p  
 Project 80S ..... £26.95 P & P 50p  
 P25 Power Supply ..... £4.98 P & P 30p  
 P26 Power Supply ..... £7.98 P & P 30p  
 P28 Power Supply ..... £7.98 P & P 30p  
 This new range of P28, P25, P26 & P28.  
**SINCLAIR Project 80 Packages**  
 2 x 240/Stereo 80/P25 ..... £25.00  
 2 x 240/Stereo 80/P26 ..... £27.75  
 2 x 260/Stereo 80/P28 ..... £30.45  
 POST & PACKING 35p each.



**EA41 REVERBERATION AMPLIFIER**  
 Self contained, transistorised, battery operated. Simply plug in microphone, guitar etc. and output to your amplifier. Volume control and depth of reverberation control. Walnut cabinet. 184 x 77 x 108mm.  
**OUR PRICE £7.50** P&P 30p



**HIGH QUALITY CONSTRUCTION KITS**  
 WE ARE APPOINTED STOCKISTS AT ALL BRANCHES



All kits are complete with comprehensive easy to follow instructions and covered by full guarantee. Post and Packing 15p per kit.

AF20 Mono amplifier	£4.80
AF26 Mixer	£3.80
AF30 Mono pre-amplifier	£2.81
AF35 Emitter amplifier	£2.27
AF80 0.5W mic. amplifier	£4.22
AF305 Intercom	£9.52
AF130/2 Mono Amplifier	£7.58
AF15 Automatic light control	£2.58
AT25 Window wiper robot	£5.82
AT30 Photo cat switch unit	£5.70
AT50 400W triac	£4.80
AT56 2,200W triac light dimmer/speed control	£6.90
AT60 1 channel light control	£7.80
AT65 3 channel light control	£14.25
GP304 Circuit board	£4.94
GP130 Stereo pre-amplifier for use with 2 x F310	£21.27
GP312 Circuit board	£11.45
GU330 Tremolo unit	£7.80
HF81 Diode detector	£3.32
HF85 FM transmitter	£2.70
HF75 FM tuner	£2.87
HF310 FM tuner	£16.81
HF325 Deluxe FM tuner	£24.12
HF380 Decoder (HF310/325)	£9.96
HF380 V/h/vt aerial amplifier	£4.94
HF395 broadband serial amp	£1.77
LF380 Output converter	£11.36
M160 Multi-vibrator	£1.71
M191 VU Meter	£4.55
M192 Stereo balance meter	£4.97
M1302 Transistor tester	£8.45
NT10 Stabilised power supply 100mA, 9V	£5.15
NT300 Stabilised p. supply	£4.50
NT305 Votage light control	£12.51
NT310 Power Supply 240V AC or 2 x 18V D.C. at 2amps	£4.80
NT315 Power supply 240V AC to 4.5/15V DC, 500mA	£9.57

**Amateur Electronics by Josty-Kit**, the professional book for the amateur - covers the subject from basic principles to advanced electronic techniques. Complete with circuit board for AE1 to AE10 listed below.  
**OUR PRICE £3.30** (No VAT) P&P 25p plus VAT.

AE1 100mW output stage	£1.50
AE2 Pre-amplifier	£1.15
AE3 Diode receiver	£1.82
AE4 Flasher	99p
AE5 Astable multi-vibrator	95p
AE6 Monostable multi-vibrator	83p
AE7 RC generator	97p
AE8 Bass filter	90p
AE9 Treble filter	90p
AE10 CDR filter	90p

**1021 Stereo Listening Station**  
 For balancing and gain selection of loudspeakers with additional facility for stereo headphone switching. Two gain controls, speakers on-off slide switch, stereo headphone socket.  
**OUR PRICE £2.25** P&P 15p



**AUDIOTRONIC LOW NOISE CASSETTES**

TYPE	5	10	25
C80	£1.67	£3.00	£7.06
C85	£2.24	£4.25	£10.00
C120	£2.73	£5.17	£12.24

**AUDIOTRONIC 8 TRACK CARTRIDGES**

TYPE	Each	5	10
40M	85p	£4.00	£7.50
80M	£1.15	£5.40	£10.25

P&P Cassette 3p, Cartridges 5p each OVER 10 of either POST FREE!

**MP7 MIXER-PREAMPLIFIER**  
 5 Microphone inputs each with individual gain controls enabling complete mixing facilities. Battery operated. Size: 235 x 127 x 76mm. Inputs: Mics. 3 x 3mV 50k; 2 x 3mV 600 ohms. Phono. Mag. 4mV 50k. Phono. Ceramic 100mV 1k. Output 250mV 100k.  
**OUR PRICE £8.97** P&P 20p



**AUDIOTRONIC AHA101 Stereo Headphone Amplifier**  
 All silicon, transistor amplifier operated from magnetic, ceramic or tube inputs with twin stereo headphone outputs and separate volume controls for each channel. Operates from 9V battery. INPUTS: 5mV and 100mV. OUTPUT: 50mV per channel.  
**OUR PRICE £8.50** P&P 30p



**Also see previous page**  
**ALL PRICES EXCLUDE VAT**

# SEW CLEAR PLASTIC PANEL METERS

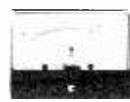
USED EXTENSIVELY BY INDUSTRY, GOVERNMENT DEPARTMENTS, EDUCATIONAL AUTHORITIES ETC.  
Over 200 ranges in stock—other ranges to order. Quantity discounts available. Send for fully illustrated brochure.



## CLEAR PLASTIC MODEL SD640

Size: 85 x 64mm

50uA	£3.80
100uA	£3.75
200uA	£3.70
500uA	£3.65
50-0-500uA	£3.75
100-0-1000uA	£3.70
1mA	£3.65
5mA	£3.65
10mA	£3.65
50mA	£3.65
100mA	£3.65
500mA	£3.65
1A DC	£3.65
5A DC	£3.65
10A DC	£3.65
5V DC	£3.65

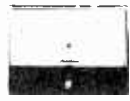


10V DC	£3.65
20V DC	£3.65
50V DC	£3.65
300V DC	£3.65
15V AC	£3.75
300V AC	£3.75
VU Meter	£3.90

## CLEAR PLASTIC MODEL SW100

Size: 100 x 80mm

50uA	£4.60
100uA	£4.50
500uA	£4.30
50-0-500uA	£4.50
100-0-1000uA	£4.45
1mA	£4.30
1A DC	£4.30
5A DC	£4.30
20V DC	£4.30
50V DC	£4.30
300V DC	£4.30



150V AC	£4.45
300V AC	£4.45
VU Meter	£4.90

## EDGWISE MODEL PE70

Size: 90 x 34mm

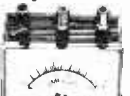
50uA	£4.15
100uA	£4.10
200uA	£4.05
500uA	£3.90
50-0-500uA	£4.10
100-0-1000uA	£4.10
1mA	£3.85
300V AC	£3.95
VU Meter	£4.30



## MODEL ED107 EDUCATIONAL METER

Size: 100 x 90 x 150mm including terminals

A range of high quality moving coil instruments ideal for school experiments and other bench applications. 3" mirror scale. The meter movement is easily accessible to demonstrate internal working.



50uA	£8.50
100uA	£7.90
50-0-500uA	£7.90
1mA	£7.60
1-0-1mA	£7.60
5A DC	£7.60
5V DC	£7.60
10V DC	£7.60
15V DC	£7.60

20V DC	£7.60
50V DC	£7.60
300V DC	£7.60
500mA/5A DC	£8.60
5V/15V DC	£8.60
5V/15V DC	£8.60
1/5A DC	£8.60
1A/15A DC	£8.60

## CLEAR PLASTIC MODEL MR 85P

Size: 120 x 110mm

50uA	£5.45
100uA	£5.35
200uA	£5.35
500uA	£5.25
50-0-500uA	£5.40
100-0-1000uA	£5.35
500-0-5000uA	£5.20
1mA	£5.20
1-0-1mA	£5.20
5mA	£5.20
10mA	£5.20
50mA	£5.20
100mA	£5.20
500mA	£5.20
1A DC	£5.20
5A DC	£5.20
15A DC	£5.20
30A DC	£5.40
10V DC	£5.20
20V DC	£5.20
50V DC	£5.20
150V DC	£5.20



300V DC	£5.20
15V AC	£5.30
300V AC	£5.30
S Meter 1mA	£5.25
VU Meter	£5.25
1A AC	£5.20
5A AC	£5.20
10A AC	£5.20
20A AC	£5.20
30A AC	£5.20

## \*Items with asterisk are Moving Iron type, all others are Moving Coil

### CLEAR PLASTIC MODEL SD830

Size: 110 x 83mm

50uA	£4.30
100uA	£4.25
200uA	£4.20
500uA	£4.15
50-0-500uA	£4.25
100-0-1000uA	£4.20
1mA	£4.10
5mA	£4.10
10mA	£4.10
50mA	£4.10
100mA	£4.10
500mA	£4.10
1A DC	£4.10
5A DC	£4.10
10A DC	£4.10
5V DC	£4.10



10V DC	£4.10
20V DC	£4.10
50V DC	£4.10
300V DC	£4.10
15V AC	£4.20
300V AC	£4.20
VU Meter	£4.40

### CLEAR PLASTIC MODEL MR 45P

Size: 50 x 50mm

50uA	£3.20
100uA	£3.15
200uA	£3.10
500uA	£3.00
50-0-500uA	£3.15
100-0-1000uA	£3.10
1mA	£2.95
5mA	£2.95
10mA	£2.95
50mA	£2.95
100mA	£2.95
500mA	£2.95



300V AC	£3.05
S Meter 1mA	£2.95
VU Meter	£3.40
1A AC	£2.95
5A AC	£2.95
10A AC	£2.95
20A AC	£2.95
30A AC	£2.95

### CLEAR PLASTIC MODEL MR 38P

Size: 42 x 42mm

50uA	£3.10
100uA	£3.05
200uA	£3.00
500uA	£2.85
50-0-500uA	£3.05
100-0-1000uA	£3.00
500-0-5000uA	£2.80
1mA	£2.80
1-0-1mA	£2.80
2mA	£2.80
5mA	£2.80
10mA	£2.80
20mA	£2.80
50mA	£2.80
100mA	£2.80
150mA	£2.80
200mA	£2.80
300mA	£2.80
500mA	£2.80
1A DC	£2.80
2A DC	£2.80
5A DC	£2.80
10A DC	£2.80
15A DC	£2.80
20A DC	£2.80
30A DC	£2.80
50A DC	£2.80
100A DC	£2.80
150V DC	£2.80



20V DC	£2.80
50V DC	£2.80
100V DC	£2.80
150V DC	£2.80
300V DC	£2.80
500V DC	£2.80
750V DC	£2.80
50V AC	£2.80
150V AC	£2.80
300V AC	£2.80
S Meter 1mA	£2.80
VU Meter	£3.20

### CLEAR PLASTIC MODEL SD460

Size: 59 x 46mm

50uA	£3.50
100uA	£3.45
200uA	£3.40
500uA	£3.35
50-0-500uA	£3.45
100-0-1000uA	£3.40
1mA	£3.30
5mA	£3.30
10mA	£3.30
50mA	£3.30
100mA	£3.30
500mA	£3.30
1A DC	£3.30
5A DC	£3.30
10A DC	£3.30
5V DC	£3.30



10V DC	£3.30
20V DC	£3.30
50V DC	£3.30
300V DC	£3.30
15V AC	£3.45
300V AC	£3.45
VU Meter	£3.95

POSTAGE & PACKING 15p

## CLEAR PLASTIC MODEL MR 65P

Size: 86 x 78mm

50uA	£3.95
100uA	£3.85
200uA	£3.80
500uA	£3.75
50-0-500uA	£3.85
100-0-1000uA	£3.80
500-0-5000uA	£3.70
1mA	£3.70
1-0-1mA	£3.70
5mA	£3.70
10mA	£3.70
50mA	£3.70
100mA	£3.70
500mA	£3.70
1A DC	£3.70
5A DC	£3.70
10A DC	£3.70
5A DC	£3.70
30A DC	£3.85
10A DC	£3.70
20A DC	£3.80
30A DC	£3.85
50A DC	£3.70
5V DC	£3.70
10V DC	£3.70
15V DC	£3.70
50V DC	£3.70
150V DC	£3.70



300V DC	£3.70
15V AC	£3.70
50V AC	£3.80
100V AC	£3.80
300V AC	£3.90
500V AC	£3.80
S Meter 1mA	£3.80
VU Meter	£3.70
1A AC	£3.70
5A AC	£3.70
10A AC	£3.70
20A AC	£3.70
30A AC	£3.70
50A AC	£3.70
100A AC	£3.70
200A AC	£3.70
500A AC	£3.70

## BAKELITE MODEL S80 Enlarged Window

Size: 80 x 80mm

50uA	£4.50
100uA	£4.45
500uA	£4.20
50-0-500uA	£4.45
100-0-1000uA	£4.45
1mA	£4.20
1A DC	£4.20
5A DC	£4.20
10A DC	£4.20
50V DC	£4.20
300V DC	£4.20
VU Meter	£4.70



## CLEAR PLASTIC MODEL MR 52P

Size: 60 x 60mm

50uA	£3.70
100uA	£3.60
500uA	£3.35
50-0-500uA	£3.50
100-0-1000uA	£3.45
1mA	£3.30
5mA	£3.30
10mA	£3.30
50mA	£3.30
100mA	£3.30
500mA	£3.30
1A DC	£3.30
5A DC	£3.30
10V DC	£3.30
20V DC	£3.30
50V DC	£3.30
300V DC	£3.30
15V AC	£3.40
300V AC	£3.40



S Meter 1mA	£3.30
VU Meter	£3.80
1A AC	£3.30
5A AC	£3.30
10A AC	£3.30
20A AC	£3.30
30A AC	£3.30

## BAKELITE MODEL MR 65 Size: 80 x 80mm

25uA	£5.25
50uA	£4.00
100uA	£3.95
500uA	£3.65
50-0-500uA	£3.95
100-0-1000uA	£3.90
500-0-5000uA	£3.80
1mA	£3.60
1-0-1mA	£3.60
5mA	£3.60
10mA	£3.60
50mA	£3.60
100mA	£3.60
500mA	£3.60
1A DC	£3.60
5A DC	£3.60
10A DC	£3.60
30A DC	£3.60
50A DC	£3.60
15A DC	£3.60
30A DC	£3.60
50A DC	£3.60
5V DC	£3.60
10V DC	£3.60
15V DC	£3.60
50V DC	£3.80
150V DC	£3.80



300V DC	£3.80
30V AC	£3.60
50V AC	£3.60
100V AC	£3.60
300V AC	£3.60
500V AC	£3.60
VU Meter	£4.10
1A AC	£3.60
5A AC	£3.60
10A AC	£3.60
20A AC	£3.60
30A AC	£3.60
50A AC	£3.60
100A AC	£3.60
500A AC	£3.60
1000V DC	£3.75

## 240° Wide Angle

1mA METERS  
MW 1-6 60x60mm  
£6.50 P&P 15p



## YAMABISHI VARIABLE VOLTAGE TRANSFORMERS

Excellent quality at low cost. Input 230V 50/60Hz. Output 0-260V.  
MODEL S260 BENCH MOUNTING

1A	£10.50	50p
2.5A	£12.00	50p
5A	£17.50	50p
8A	£30.35	£1.00
10A	£33.75	£1.00
12A	£36.40	£1.00
20A	£85.00	£1.50
25A	£87.50	£1.50
40A	£99.95	£1.50



MODEL S260B PANEL MOUNTING  
1A £10.00 50p  
2.5A £12.00 50p

**ALL PRICES EXCLUDE VAT**



**FOR MAIL ORDER**

We offer a speedy and efficient service by mail order. Remember to add 8% VAT to total value of goods including post and packing.

TO LASKYS HEAD OFFICE AND MAIL ORDER DEPARTMENT  
Audiotronic House The Hyde London NW9 6JJ Tel 01 205 5651 3735

Please send me the following items

TOTAL PURCHASE PRICE (inc. P&P and VAT)

I enclose cheque postal order money order

I wish to pay by Barclaycard Access and my number is

NAME

ADDRESS

Signature  
Reg. in England and Wales 347947 at L. Lower Grosvenor Place, London W.C. 6X

HI-FI PRICE LIST  
HERE

EXPORT Personal Goods arranged for export. Goods specially packed for overseas and insured for full value. Post free wherever you live. Payment by bank transfer certified cheque, postal order or money order in sterling currency.

# Trannies

4 Bush House,  
Harlow, Essex

- ★ P. & P. 15p
- ★ Catalogue 20p
- ★ ALL PRICES INCLUDE VAT
- ★ Retail shop open 9-5.30 Mon. to Sat.

## DISCO EQUIPMENT



Full range of DISCO Equipment available at very competitive prices. 100 watt systems complete from £2 weekly. NO DEPOSIT necessary.

Send for list or pay us a visit.

## 74 Series TTL

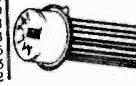
(National Semiconductors and I.T.T.)

LOW PRICES, HIGH QUALITY

No's	1+	25+	No's	1+	25+
7400	1+	25+	74102	£1.70	£1.50
7401	20p	18p	74123	£3.35	£3.28
7402	20p	18p	74141	£1.10	99p
7403	20p	18p	74145	£1.65	£1.48
7404	21p	18p	74150	£3.30	£2.75
7405	21p	18p	74151	£1.21	£1.15
7406	54p	40p	74153	£1.32	£1.15
7407	54p	40p	74154	£2.20	£1.97
7408	29p	24p	74155	£1.65	£1.21
7409	29p	24p	74156	£1.85	£1.43
7410	29p	24p	74157	£1.54	£1.21
7411	29p	24p	74158	£2.18	£2.05
7412	40p	30p	74159	£1.65	£2.05
7413	31p	20p	74160	£1.65	£2.05
7414	40p	47p	74161	£1.84	£1.43
7415	57p	50p	74162	£2.18	£2.05
7416	20p	18p	74163	£2.73	£2.63
7417	60p	58p	74164	£2.73	£2.63
7418	60p	58p	74165	£2.73	£2.63
7419	60p	58p	74166	£2.73	£2.63
7420	60p	58p	74167	£2.73	£2.63
7421	60p	58p	74168	£2.73	£2.63
7422	60p	58p	74169	£2.73	£2.63
7423	60p	58p	74170	£2.73	£2.63
7424	60p	58p	74171	£2.73	£2.63
7425	60p	58p	74172	£2.73	£2.63
7426	85p	31p	74173	£2.75	£2.64
7427	55p	51p	74174	£2.75	£2.64
7428	85p	79p	74175	£1.94	£1.81
7429	20p	18p	74176	£1.94	£1.81
7430	20p	18p	74177	£2.75	£2.64
7431	42p	33p	74178	£2.75	£2.64
7432	42p	33p	74179	£2.75	£2.64
7433	87p	81p	74180	£2.53	£2.30
7434	77p	74p	74181	£2.53	£2.30
7435	77p	74p	74182	£2.53	£2.30
7436	77p	74p	74183	£2.53	£2.30
7437	20p	18p	74184	£2.42	£2.30
7438	81p	78p	74185	£2.42	£2.30
7439	81p	78p	74186	£2.42	£2.30
7440	81p	78p	74187	£2.42	£2.30
7441	81p	78p	74188	£2.42	£2.30
7442	81p	78p	74189	£2.42	£2.30
7443	£1.40	£1.35	74190	£1.84	£1.65
7444	£1.57	£1.52	74191	£1.84	£1.65
7445	£2.31	£2.18	74192	£1.84	£1.65
			74200	£26.40	£21.12

## Linear Integrated Circuits

No.	VA	Weight	Size cm.	P & P
301	DIL	50p		
301A	DIL	55p		
301A	TO99	68p		
301A	8 PIN DIL	48p		
301A	TO99	68p		
301A	8 PIN DIL	68p		
307	TO99	68p		
307	8 PIN DIL	68p		
308	TO99	6.45p		
308	TO99	6.40p		
709C	DIL	35p		
709C	TO99	31p		
723C	TO99	98p		
741C	8 PIN DIL	38p		
741C	14 PIN DIL	38p		
741C	TO99	41p		
741C	DIL	88p		
748C	TO99	41p		
748C	DIL	1.38		
8K414		3.88		
MC1310P				



## Resistors

1 watt 5% carbon	1p
1 watt 5% carbon	1p
1 watt 10% carbon	2p
range 10 ohms to 4.7 megohms.	
1 watt m/o 2%	4p
range 10 ohms to 1 megohms.	

This is only a small selection from our range of components. Send 20p for our SUMMER 74 CATALOGUE.

## VEROBOARD

Size	Price
24 x 36	24p
24 x 48	27p
36 x 36	27p
36 x 48	31p
17 x 21	82p
17 x 31	£1.10
17 x 5 (Plain)	90p
Pin insertion too	57p
Spot face cutter	46p
Pk 36 Pins	20p

## Electrolytic Capacitors

4 VOLT	16 VOLT	40 VOLT
47µF 81p	15µF 81p	47µF 81p
100µF 81p	33µF 81p	100µF 9p
220µF 81p	150µF 81p	220µF 11p
330µF 81p	150µF 8p	220µF 11p
1000µF 13p	220µF 9p	470µF 19p
4700µF 29p	880µF 17p	680µF 25p
	1000µF 17p	1000µF 25p
	1500µF 8p	2200µF 44p
	33µF 81p	2000µF 43p
	680µF 81p	1500µF 8p
	470µF 11p	100µF 81p
	680µF 13p	22µF 81p
	1000µF 18p	47µF 81p
	2200µF 18p	22µF 81p
	3300µF 26p	8p 47µF 81p
		10p 47µF 81p
		13p 8p 81p
		20p 22µF 81p
		22p 88µF 10p
		88µF 10p
		100µF 11p
		150µF 13p
		220µF 19p
		330µF 22p
		470µF 25p
		1000µF 44p

## VOLUME CONTROLS Potentiometers

Carbon track 500Ω to 2.2MΩ. Log or Linear. Single 13p. Dual gang (stereo) 44p. Single type with D.P. switch 13p extra.

## CARBON SKELETON PRESETS

Small high quality type (linear only). All valves 100-5 meg ohms. -1 watt 8p each -2.5 watt 6p each

## THYRISTORS

See our advertisements in Everyday Electronics and Everyday Electronics for range of transistors and diodes.

## SLIDE SWITCH

8187T 11p each. D.P.D.T. 13p each.

## MINIATURE NEON LAMPS

240V or 110V 1.4 5p. 5 plus 4p each.

## Mullard Polyester Capacitors

C280 SERIES
250V P.C. mounting: 0.01µF, 0.015, 0.022 81p. 0.033, 0.047, 0.068 4p. 0.1 41p. 0.15, 0.22 51p. 0.33 7p. 0.47 91p. 0.68 12p. 1µF 14p. 1.5µF 22p. 2.2µF 27p.
C296 SERIES
400V: 0.001µF, 0.0015, 0.0022, 0.0033, 0.0047 3p. 0.0068, 0.01, 0.015, 0.022, 0.033 31p. 0.047, 0.068, 0.1 41p. 0.15 61p. 0.22 81p. 0.33 12p. 0.47 14p. 1µF: 0.1 4p. 0.15 4p. 0.1 41p. 160V: 0.01µF, 0.015, 0.022, 0.033, 0.047, 0.068 31p. 0.1 4p. 0.15 4p. 0.1 41p. 0.15, 0.22 51p. 0.33 7p. 0.47 91p. 0.68 12p. 1µF 14p. 1.5µF 22p. 2.2µF 27p.

# TRANSFORMERS

## SAFETY MAINS ISOLATING TRANSFORMERS

Ref. No.	VA	Weight	Size cm.	P & P
07	20	1.8	7.0 x 6.0 x 6.0	2.55 30
149	60	3.12	9.9 x 7.7 x 8.6	3.79 36
150	100	5.8	9.9 x 8.9 x 8.6	4.17 52
151	200	8.0	12.1 x 9.3 x 10.2	7.39 52
152	250	13.12	12.1 x 11.8 x 10.2	9.25 62
153	350	15.0	14.0 x 10.8 x 11.8	11.35 82
154	500	19.8	14.0 x 13.4 x 11.8	13.20
155	750	29.0	17.2 x 14.0 x 14.0	21.20
156	1000	38.0	17.2 x 16.6 x 14.0	27.40
158	2000	60.0	21.6 x 15.3 x 18.1	49.25

PLEASE NOTE NEW ADDRESS AS BELOW

## AUTO TRANSFORMERS

Ref. No.	VA	Weight	Size cm.	Auto Taps	P & P
113	20	1.8	5.8 x 5.1 x 4.5	0.115-210-240	1.34 22
64	75	2.4	7.4 x 6.1 x 6.1	0.115-210-240	2.64 30
66	300	6.4	9.9 x 9.6 x 8.6	0.115-200-220-240	3.18 36
67	500	12.8	12.1 x 11.2 x 10.2	.. ..	6.19 52
84	1000	19.8	14.0 x 13.4 x 14.3	.. ..	9.20 67
93	1500	30.4	14.0 x 15.9 x 14.3	.. ..	13.50 82
95	2000	32.0	17.2 x 16.6 x 14.0	.. ..	17.50
73	3000	40.0	21.6 x 15.3 x 18.1	.. ..	25.35
					32.80

## CASED AUTO TRANSFORMERS

115V 500W enclosed transformer, with mains lead and two 115V outlet sockets. £9.49, P & P 67p. 20 Watt version £2.02 P & P 7p

## TRANSFORMERS

### PRIMARY 240 250 VOLTS 12 AND OR 24 VOLT RANGE

Ref. No.	Amps.	Weight	Size cm.	Secondary Windings	P & P
111	0.5	0.25	1.8 4.8 x 2.9 x 3.5	0.12V at 0.25A x 2.1	34 22
213	1.0	0.5	1.4 6.1 x 5.8 x 4.8	0.12V at 0.5A x 2.1	58 22
712	1.0	0.5	1.2 7.0 x 6.4 x 6.1	0.12V at 1A x 2.2	2.09 22
18	4	2.2	8.3 x 7.7 x 7.0	0.12V at 2A x 2.2	9.50 30
70	6	3.8	9.9 x 8.9 x 8.6	0.12V at 3A x 2.2	3.52 42
1008	8	5.8	9.9 x 8.9 x 8.6	0.12V at 4A x 2.2	3.96 52
72	10	6.4	9.9 x 9.6 x 8.6	0.12V at 5A x 2.2	4.67 52
116	12	6.6	12.1 x 9.9 x 10.2	0.12V at 6A x 2.2	5.61 52
17	16	8.8	12.1 x 9.9 x 10.2	0.12V at 8A x 2.2	6.94 52
115	20	10	14.0 x 9.6 x 11.8	0.12V at 10A x 2.2	9.20 67
187	30	15	15.8 x 14.0 x 12.1	0.12V at 15A x 2.2	16.94 82
226	60	30	17.2 x 15.3 x 14.0	0.12V at 30A x 2.2	22.50

### 30 VOLT RANGE

Ref. No.	Amps.	Weight	Size cm.	Secondary Taps	P & P
112	0.5	1.4	6.1 x 5.8 x 4.8	0.12-15-20-24-30V	1.56 22
719	1.0	2.4	7.0 x 6.7 x 6.1	.. ..	2.11 36
3	2.0	3.4	8.9 x 7.7 x 7.7	.. ..	3.96 42
20	3.0	4.8	9.9 x 8.3 x 8.6	.. ..	4.67 52
21	4.0	6.4	9.9 x 9.6 x 8.6	.. ..	5.83 52
51	5.0	6.12	12.1 x 8.6 x 10.2	.. ..	6.94 52
117	6.0	8.0	12.1 x 9.3 x 10.2	.. ..	9.00 67
88	8.0	12.0	12.1 x 11.8 x 10.2	.. ..	11.36 67
89	10.0	13.2	14.0 x 10.2 x 11.8	.. ..	

### 50 VOLT RANGE

Ref. No.	Amps.	Weight	Size cm.	Secondary Taps	P & P
102	0.5	1.12	7.0 x 6.4 x 6.1	0.19-25-33-40-50V	2.09 30
103	1.0	2.12	8.3 x 7.4 x 7.0	.. ..	3.08 36
104	2.0	5			

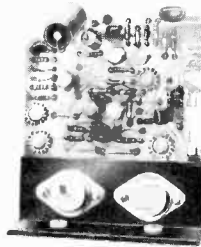
# SAXON

Money saving high performance audio equipment  
DIRECT FROM OUR OWN FACTORY

## GUARANTEED TESTED HIGH PERFORMANCE MODULES—now better value than ever

<b>SA35</b>	<b>£5.45</b>	Carriage free	★ 25Hz-25kHz
35W RMS 25-50V			★ 0.2% distortion
7 transistors, 7 diodes			★ Noise—80dB
<b>SA50</b>	<b>£6.90</b>	Carriage free	★ 500mV into 20K
50W RMS 25-65V			★ 4-16 ohms
7 transistors, 6 diodes			★ Simple wiring
<b>SA100</b>	<b>£10.90</b>		★ Short and open circuit proof
100W RMS 45-70V			★ Continuously rated
11 transistors, 6 diodes			★ Top-grade components

120 watt module complete with built-in supply—extra heavy duty **£19.75** Carr. 60p



THE SA100 MODULE

## POWER SUPPLIES

### UNSTABILISED

<b>PU45</b>	Suits 2 SA35 or 1 SA50	<b>£4.90</b>	Carriage 30p
<b>PU70</b>	Suits 2 SA50 or 2 SA100	<b>£7.75</b>	Carriage 40p

### STABILISED

<b>PS45</b>	Suits 2 SA35 or 2 SA50	<b>£3.50</b>	Carriage free
<b>MT45</b>	Transformer for above	<b>£3.50</b>	Carriage 30p
<b>PS70</b>	Suits 2 SA100	<b>£4.90</b>	Carriage free
<b>MT70</b>	Transformer for above	<b>£4.90</b>	Carriage 40p

N.B. PS70 is not suitable for the SA50

## Mk II STEREO DISCO MIXER **£19.75** Carr. 30p

This well tried unit mixes two decks, handles any ceramic cartridge, and features mic over-ride plus separate full range bass and treble controls on both mic and deck inputs. Ample headphone power is available for P.F.L. May be used for mono and is mains operated. Fitted with sturdy screening case. Controls: Mic vol, bass, treble. Left/Right fade, deck volume, bass, treble, h/phone select, vol, Mains. Size 17 1/2in x 3in x 4in deep.



## DISCO MODULE **£8.00** Carr. 20p

Thousands sold of this extremely popular mono version. A mic input may be fitted using the VA30 (see below). Low consumption from a 9V battery. Features the same high standards of reproduction as the Stereo version. Controls: h/phone select, vol, Left deck vol, Right deck vol, bass, treble, master vol. Size 12 1/2in x 3in x 2in deep.



## 3-CHANNEL SOUND-LITE **£22.50** Carr. 30p

Only SAXON can supply such incredible value for money. This unit features 3kW power handling, full-wave control, bass, middle, treble AND master controls. Twin loudspeaker jacks for "through" connections. It may be used free standing or will panel mount next to either of the above. Also features unique CUT-BACK circuitry for extra wide range response. Size 12in x 3in x 2 1/2in deep. Professional standards at a price you can afford!



**SINGLE CHANNEL VERSION **£7.50**** Carr. free  
Recently reduced in price due to increasing sales, handles 1kW. Full wave operation

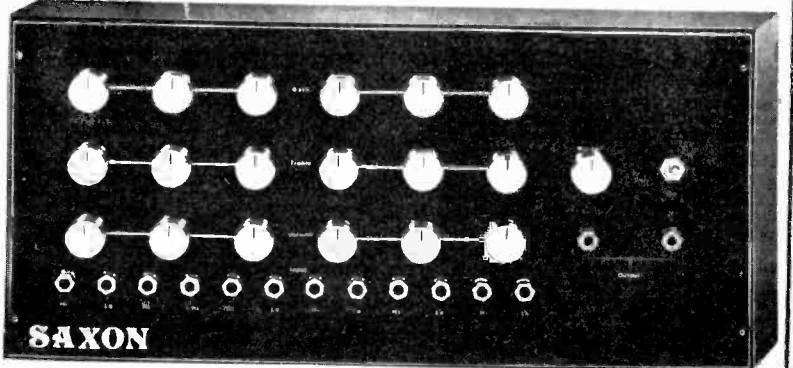
ADD 10% VAT TO ALL ORDERS

## MULTI-PURPOSE MIXERS

**M4HL **£18.50**** Carr. 50p  
**M6HL **£27.50**** Carr. 50p

Featuring multiples of our VA30 module, the M4HL and M6HL fulfil the requirements of all clubs, groups, etc. where a high quality mixer is required. Each channel has one high and one low impedance input, plus volume, treble and bass controls. Input impedances may, if required, be easily changed. The M4HL has four channels, and one output, and the M6HL six channels (12 inputs) and a master control and two outputs. Either unit may be used free-standing or panel mounted. These mixers will feed all types of amplifier. Recommended for their versatility and high performance, and excellent value for money.

**VA30 CHANNEL MODULE **£3.50**** Carr. free  
This is the basic channel module in the above mixers and may also be used for extra inputs on either the mono or stereo mixers. Fitted with volume, bass and treble controls, requires just a jack and supply (9-100V)

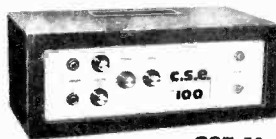


## SAXON CSE 100

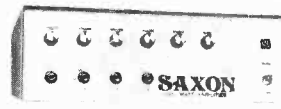
### COMPLETE AMPLIFIER

**£34.90** Carr. free

100W of speech and music—Two separately controlled inputs. Wide range bass and treble controls. Sturdy and attractive vinyl case. Twin outputs. Ideal for groups, discos, etc. Fully tested and guaranteed. 50W version identical in appearance.



**CSE 50 **£29.50**** Carr. free



sockets. Sturdy case, and an attractive fascia make this excellent value for money. Hundreds in use by groups, discos, clubs, etc. 50W version identical in appearance.

## SAXON 100 COMPLETE AMPLIFIER

**£53.00** Carr. free

## SAXON 50

**£37.50** Carr. free

CALLERS AND MAIL ORDER:

**SAXON ENTERTAINMENTS LIMITED**  
327-333 WHITEHORSE ROAD • GROYDON CR0 2HS

(Please quote magazine when ordering)  
SHOP HOURS: 9 a.m. - 5 p.m. — LUNCH 12.30 - 1.30 p.m. MAIL ORDER DESK: 10 a.m. - 3 p.m.  
24-HOUR ANSWER SERVICE TEL. 01-684 6385

SEND 10p FOR OUR NEW 26-PAGE MANUAL which gives full details of the above products.  
TERMS OF BUSINESS: C.W.O. or P.O.D. on receipt of 50p G.O.D. recharge.  
Please include S.A.E. with all enquiries.  
VAT at 10% must be added to all orders including postage and carriage charges.

**G. F. MILWARD, 369 Alum Rock Road,  
Birmingham B8 3DR. Tel. 021-327 2339**

**12 VOLT FLUORESCENT LIGHTING**



INVERTER TRANSFORMERS 13/15 WATT (CIRCUIT INCLUDED) **70p**  
 "CURRENT ECONOMY" TRANSISTOR (600 ma.) **50p**  
 "MAXIMUM LIGHT" TRANSISTOR (1.3A) **50p**  
 RESISTORS/CAPACITORS TO SUIT **15p**  
 LAMP HOLDERS (LONG LEAD) **30p PAIR**  
 (SHORT LEAD) **20p PAIR**  
 WHITE ENAMEL CASE, 18" or 21" **70p**  
 TUBE, 18"-15 WATT or 21"-13 WATT **45p**  
 (NOTE:- TUBE ONLY SUPPLIED IF CASE ORDERED,  
 TO PREVENT POSTAL DAMAGE)  
 13 WATT FITTING READY BUILT AND TESTED—  
 INCLUDING TUBE **£3.75**  
 POST/PACKING **20p** PER ORDER

**ALL GOODS PLUS 10% V.A.T.**

**SILICON P.N.P.**

Type	Voltage	Frequency	Price
BCY 71	45	200 MHz	12p
BFS 92	100	70 MHz	20p
BFS 95	40	70 MHz	17p
BFX 12	25	210 MHz	10p
2N 2906	60	200 MHz	15p
2N 3702	40	100 MHz	11p
2N 3703	50	100 MHz	12p

**SILICON N.P.N.**

BC 109	30	150 MHz	15p
BC 199	30	150 MHz	15p
BF 179	225	125 MHz	40p
BF 180	30	625 MHz	25p
BFW 58	80	80 MHz	15p
BFX 43	30	500 MHz	20p
BFX 86	40	50 MHz	17p
BFY 53	30	50 MHz	10p
2N 607	60	40 MHz	12p
2N 709	15	900 MHz	30p
2N 718	60	60 MHz	12p
2N 753	25	250 MHz	12p
2N 744	20	300 MHz	12p
2N 1513	75	60 MHz	17p
2N 2220	60	250 MHz	15p

**SILICON N.P.N.**

Type	Voltage	Frequency	Price
2N 3035	60	100 MHz	17p
2N 3707	30	100 MHz	12p
2N 5179	20	900 MHz	40p

**GERMANIUM P.N.P.**

ACY 44	50	1 MHz	10p
ADY 26	80	75 watts	£1
AF 124	20	75 MHz	20p
AFY 19	32	350 MHz	20p
ASZ 21	15	5 MHz	10p
ASZ 21	15	450 MHz	20p
GET 113	32		10p
GET 120	32	2 watts	10p
OC 123	50	1 MHz	10p
OCF 70		Light-sensitive	20p
2N 1307	30	10 MHz	15p
2N 1309	30	15 MHz	15p
2N 448	60	150 watts	£1

**HIGH FREQUENCY, POWER**

BFR 64	40	1,200 MHz	£1
BLY 80A	35	650 MHz	£5
BLY 93A	60	500 MHz	£5
BLY 218	36	1,200 MHz	£2
2N 709	15	800 MHz	15p

**MICROWAVE DEVICES**

CL 8300	Gunn effect oscillator	9.4 GHz	£40
CL 8370	ditto	9.5 GHz	£10
CL 8380	ditto	10.5 GHz	£10
CL 8390	ditto	11.5 GHz	£10
CL 8430	ditto	9.35 GHz	£40
CL 8450	ditto	9.35 GHz	£40
CL 8470	ditto	9.35 GHz	£40
BXY 27	Varactor Diode, "S" Band, Cut-off	70 GHz	£1
BXY 28	Varactor Diode, Cut-off	100 GHz	£1
BXY 32	Frequency Multiplier, "X" Band	25 GHz	£1
BXY 35A/C	ditto	75 GHz	£1
BXY 36C/D	ditto	100 GHz	£1
BXY 37C/D	ditto	120 GHz	£1
BXY 38C/E	ditto	150 GHz	£1
BXY 39C/D	ditto	180 GHz	£1
BXY 40C/E	ditto	180 GHz	£1
BXY 41C/D/E	ditto	200 GHz	£1

**£1** 100 1/2 WATT RESISTORS  
 100 CERAMIC CAPACITORS  
 100 DIODES

POSTAGE 23p

**£1** 1 VERO-BOARD CUTTER  
 5 2 1/2 in. x 1 in. x 15 BOARDS  
 50 SQ. INS. "ODD PIECES"  
 VERO

POSTAGE 23p

**£1** 20 ASSORTED UNUSED  
 MARKED, TESTED  
 TRANSISTORS  
 BC108 ETC.

POSTAGE 23p

**£1** 5 COMPUTER PANELS  
 CONTAINING MASSES OF  
 DIODES, TRANSISTORS,  
 INDUCTORS, RESISTORS  
 & CAPACITORS

POSTAGE 23p

**£1** 100 RESISTORS  
 100 CERAMIC CAPACITORS  
 100 POLYSTYRENE CAPACITORS

POSTAGE 23p

**£1** 100 RESISTORS  
 100 CERAMIC CAPACITORS  
 50 MULLARD POLYESTER CAPACITORS

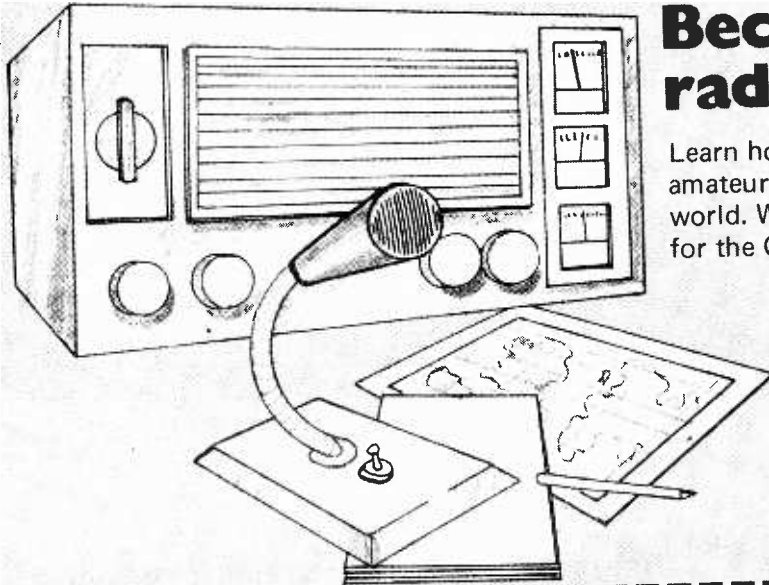
POSTAGE 23p

**£1** 1 TRANSISTORISED  
 SIGNAL TRACER KIT  
 1 TRANSISTORISED  
 SIGNAL INJECTOR KIT

POSTAGE 23p

**£1** 100 RESISTORS  
 100 CAPACITORS  
 (ASSORTED TYPES)

POSTAGE 23p



**Become a radio amateur.**

Learn how to become a radio-amateur in contact with the whole world. We give skilled preparation for the G.P.O. licence.

Brochure, without obligation to:  
**BRITISH NATIONAL RADIO & ELECTRONICS SCHOOL, Dept.,**  
 P.O. Box 156, Jersey, Channel Islands.

NAME \_\_\_\_\_ Block caps please  
 ADDRESS \_\_\_\_\_

**Free!**

WB 94



## RECORD PLAYBACK HEADS (TRUVOX)

Individual prices of these are:  
2 track record playback heads 50p each.  
4 track record playback heads 72p each.  
Erase heads are also available separately—  
2 track 33p—4 track 55p.  
MU metal mounting slides 39p each.  
2 track-heads already fixed on heavy mounting plate with shield £1.22p.

## NEED A SPECIAL SWITCH

Double Leaf Contact. Very slight pressure closes both contacts. 8p each, 10 for 60p Plastic pushrod suitable for operating. 6p each, 10 for 54p.

## 1 R.P.M. MOTOR + GEAR BOX

Made by the famous Chamberlain & Hookham Ltd. These could be made to drive clock or similar. Really robust reliable unit. Price £1.10 each.

## AUTO-ELECTRICAL CAR AERIAL

with dashboard control switch—fully extendable to 40in or fully retractable. Suitable for 12V positive or negative earth. Supplied complete with fitting instructions and ready wired dashboard switch. £6.35 plus 25p post and insurance.

## MAINS TRANSISTOR POWER PACK

Designed to operate transistor sets and amplifiers. Adjustable output 6v, 9v, 12 volts up to 500mA (class B working). Takes the place of any of the following batteries: PP1, PP3, PP4, PP6, PP7, PP9 and others. Kit comprises: mains transformer rectifier, smoothing and load resistor, condensers and instructions. Real snip at only £1.10, plus 20p postage.

## MINIATURE WAFER SWITCHES

2 pole, 2 way—4 pole, 2 way—2 pole, 3 way—4 pole, 3 way—2 pole, 4 way—3 pole, 4 way—2 pole 6 way—1 pole, 12 way. All at 25p each.

## MULTI-SPEED MOTOR.

Six speeds are available 500, 650 and 1,100 r.p.m. and 8,000, 12,000 and 15,500 r.p.m. Shaft is 1 in. diameter and approximately 1 in. long. 230/240V. Its speed may be further controlled with the use of our Thyristor controller. Very powerful and useful motor size approx. 2 in. dia. 1 in. long. Price 87p plus 23p postage and insurance.

## MIGHTY MIDGETS

Probably the finest possible radio, as described in Practical Wireless January 1973. All electronic parts £2.20 post paid.

## SLIDE SWITCHES

Slide Switch, 2-pole changeover panel mounting by two 6B.A. screws. Size approx. 1in x 1/2in rated 250V lamp. 8p each. 10 for 73p. Ditto as above but for printed circuit 6p each 10 for 68p. Sub Miniature Slide Switch DPMT 19mm (1 1/2in approx.) between fixing centres. 20p each or 10 for £1.90. SP Change over spring return 250v 1 amp. 11p.

## 15A ELECTRICAL PROGRAMMER

Learn in your sleep: 11 ways of playing and kettle boiling as you awake — switch on lights to ward off intruders — have a warm house to come home to. All these and many other things you can do if you invest in an electrical programmer. Clock by famous maker with 15 amp. on/off switch. Switch-on time can be set anywhere to stay on up to 6 hours. Independent 60 minute memory logger. A beautiful unit. Price £2.15 + 20p p. & p. or with glass front, chrome bezel, 83p extra.

## BALANCED ARMATURE UNIT

500 ohm, operates as speaker or microphone, so useful in intercom or similar circuits, 87p each.

## 12 VOLT 1 1/2 AMP. POWER PACK

This comprises double-wound 230/240V mains transformer with full wave rectifier and 2000 mF smoothing. Price £2.20 plus 20p post & packing.

## Heavy Duty Mains Power Pack.

Output voltage adjustable from 15-40V in steps—maximum load 250W—that is from 6 amp at 40V to 15 amp at 15V. This really is a high power heavy duty unit with dozens of workshop uses. Output voltage adjusted in very quick—simply interchange push on leads. Silicon rectifiers and smoothing by 3,000mF. Price £6.33 plus 63p post.

## RESETTABLE FUSE

How long does it take you to renew a fuse? Time yourself when next one blows. Then reckon your time at £1 per hour see how quickly our resettable fuse (auto circuit breaker) will pay for itself. Price only £1.10 each or £12 per dozen, specify 5, 10 or 15 amp—simply fit in place of switch.

## STEREO RADIO CABINET

Long, Low and Modern. Teak veneered with sliding front and tapered legs. Speaker spaces each end. Size approx. 4ft. 2in x 13in x 15in. Probably cost over £20 to make. Our Price £9.10 each, or £5.50 each if ordered with BSR Record Changer below.



## THIS MONTH'S SNIP ULTRA MODERN RECORD CHANGER.

Famous BSR deck with stereo cartridge £8.95 — £1.00 post. Famous ORKARD R17 25 with ceramic stereo cartridge £12.00 — £1.00 post and insurance. **SAVE OVER £2.00 IF YOU ALSO BUY THE STEREO CABINET ABOVE.**

## HORSTMANN 24-HOUR TIME SWITCH

With 6 position programmer. When fitted to hot water systems this could programme as follows:—

Programme	Hot Water	Central Heating
0	Off	Off
1	Twice Daily	Off
2	All Day	Off
3	Twice Daily	Twice Daily
4	All Day	All Day
5	Continuously	Continuously

Suitable of course, to programme other than central heating and hot water, for instance, programme upstairs and downstairs electric heating or heating and cooling or taped music and radio. In fact there is no limit to the versatility of this Programmer. Mains operated. Size 3in. x 3in. x 2in. deep. Price £3.85 as illustrated but less case.

## PORTABLE RADIO CASE DE-LUXE

A similar size to the above but a more expensive design. Used with the Good Companion de-luxe model. £2.20 plus 50p post and insurance.

## KETTLE ELEMENTS

Made by the famous A.E.I. Co. (complete with washers and combined fixing ring and plug shroud). Normal 2 round pin and flat pin earth connection and overload reset push button. 2 Models—1 1/2in (approx.) suitable for Swan and other similar models—1 1/2in (approx.) suitable for G.E.C., Hotpoint, etc. All quick boil 2 1/2kW elements at 240V. Price £1.88.

## MULLARD UNILEX STEREO SYSTEM

There is no doubt that it is a good system, we believe that for the money it is without comparison. We demonstrate gladly at our Tamworth Road depot. Prices of the individual items for this:—  
1 Unilex Amplifier Ref. EP.5000 £1.60  
1 Unilex Amplifier Ref. EP.9001 £1.60  
1 Unilex Pre-Amp Ref. EP.9001 £1.98  
1 Unilex Power Unit Ref. EP.9002 £2.53  
1 Control panel kit with spun aluminium faced knobs £3.30  
Or the complete outfit—£11.30 post paid.  
Pair of 15 ohm speakers made by Goodmans are also available if required, price £3.30 the pair. No extra postage if ordered with the above, otherwise add 25p.

## SWITCH TRIGGER MATS

So thin is undetectable under carpet but will switch on with slightest pressure. For burglar alarms, shop doors, etc.  
24in x 12in £1.60  
13in x 10in £1.21

## HORSTMANN "TIME AND SET" SWITCH

(A 30 amp Switch). Just the thing if you want to come home to a warm house without it costing you a fortune. You can delay the switch on time of your electric fires, etc., up to 1 1/2 hours from setting time or you can use the switch to give a boost on period of up to 3 hours. Equally suitable to control processing.  
Two models 15 amp £1.98, 30 amp £2.58. P. & P. 25p each

## SMOKE WILL KILL—GAS WILL KILL—FIRE WILL KILL

But, if you install SAGA (our smoke and gas alarm) your family will have the latest electronic protection against these killers. SAGA uses a fantastic electronic sensor which "smells" smoke and gas and sounds the alarm immediately. In a neat case measuring approx. 5" x 3 1/2" x 2 1/2". It has its own internal alarm, also a connector for additional bells. You just plug it in to the mains and hang it near the ceiling. SAGA uses so little electricity that it will hardly move the meter, leave it on all ways to give night and day protection. £8.99 plus 30p post.

**OUR 1974 CATALOGUE LISTING HUNDREDS OF BARGAINS, NOW AVAILABLE. PRICE 30p POST PAID.**

## CENTRIFUGAL BLOWER

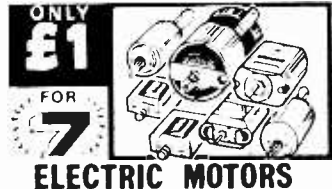
Miniature mains driven blower centrifugal type blower Miniature mains driven blower centrifugal built for quiet unit by Woods. Powerful but speed noiseless motor with specially built low noise bearings. Overall size 4 1/2" x 4 1/2" x 4". When mounted by flange, air is blown into the equipment but to suck air out, mount it from centre using clamp. Ideal for cooling electrical equipment or fitting into a cooker hood, film drying cabinet or for removing fume smoke when soldering etc., etc. A real bargain at £2.05.

## TERMS:—

ADD 10% V.A.T.  
Send postage where quoted—other items, post free if order for these items is £6.00, otherwise add 20p.



Sensational "once in a lifetime offer" because Mullard over-produced — definitely not repeatable once our stocks (now over half sold) are cleared. Hi-Fi 4 transistor amplifier complete in case ready to use. Batt., car or mains operated—freq. range 50Hz-15KHz—distortion better than .2%. Comes complete with guarantee and data FREE to purchasers. Great handbook published by Mullard "tells all you need to know" to build your own stereo. Complete Unilex Stereo System £11.30, pair of speakers for same £3.80.



7 powerful battery motors as used in racing cars and power models. Output and types vary to make them suitable for hundreds of different projects—tools, toys, models, etc. All brand new reversible and for 12v. Bats., wiring diagrams included. Post and VAT 30p. **FREE** Details of how to make miniature power station.

## FERRITE RODS

For aerials, etc. The following types are in stock Dia. 1/4" 4" long 15p, 3" long 18p, Dia 5/16", 8" long 30p, Dia 3/8", 4" long 20p, 5" long 25p, 6" long 30p, 8" long 40p; Dia. 1/4", 6" long 35p; Ferrite Slab 8" long x 1/2" x 1/8th"—20p.

## MINIATURE SEALED RELAY

American made. Our Ref. No. REL. A1. Measures only 3" wide x 1" thick and 1/2" high and it's a double change over, we don't know the contact rating but estimate this at 3/5 amps. The coil resistance is 600 ohms. and 9-12 volt will close it. Ideal for models and miniaturised equipment. It's a plug in relay but we supply complete with base. Price 33p including base.

## TELESCOPIC AERIAL

for portable, car radio or transmitter. Chrome plated—six sections, measures only 7 1/2 to 47in. Hole in bottom for 6BA screw. 42p. **KNUCKLED MODEL FOR F.M. 55p.**

## TREASURE TRACER

Complete Kit (except wooden battery) to make the metal detector as the circuit in Practical Wireless, August issue. £3.30 plus 20p post and insurance.

## MIDGET TWO GANGS

Tuning condenser as fitted to many Japanese and Hong Kong radios—probably 200p each section with 1" spindle with terminal-less trimmers. Price 88p. With trimmers 50p.

## NUMICATOR TUBES

For digital instruments, counters, timers, clocks, etc. Hi-vac XN.3 Price 89p each, 10 for £9.

## MAINS OPERATED SOLENOIDS

Model 2 — small but powerful 1in. pull—approx size 1 1/2" x 1 1/2" x 1 1/2in. 66p.  
Model 4001—1in. pull. Size 2 1/2" x 2 x 1 1/2in. 83p.  
Model TTI—1 1/2in. pull. Size 3 x 2 1/2 x 2 1/2in. £1.98 plus 20p post and insurance

## RADIO STETHOSCOPE

Easiest way to fault find—traces signal from aerial to speaker—when signal stops you've found the fault. Use it on Radio, TV amplifier, anything—complete kit comprises two special transistors and all parts including probe tube and crystal earpiece. £2.20, twin stethoast instead of earpiece 83p extra—post and ins. 20p.

**J. BULL (ELECTRICAL) LTD.**  
(Dept. PW), 102/3 Tamworth Road, CROYDON CRO IX



**Why pay more - look at our Fantastic Bargain Offer!**

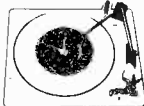
**THE AVON AUDIO SYSTEM**



The uncabineted system is ideal as an economical replacement for an outdated chassis. Stereo Amplifier for Stereo/Mono record reproduction. Tuner with medium, long and short wavebands provides Worldwide coverage, even the weakest continental stations can be received with superb clarity. Push button band selection, 10 watts total output. Frequency response 25-18000 Hz.

**LATEST BSR STEREO/MONO RECORD CHANGER** plays all types of 7in., 10in., and 12in. Mono or Stereo records. Manual or automatic play.

**TWIN ELLIPTICAL SPEAKERS** These low impedance, permanent magnet units have been specially selected to provide the fullest range of audio reproduction.



**EASY TO INSTALL—NO TECHNICAL KNOWLEDGE REQUIRED.** List Price £45.74. OUR PRICE £35.00. Credit Terms £3.50 deposit plus £2 Post & Packing followed by 9 payments of £4.10 (Total Credit Terms £44.40). Don't miss this bargain. **SEND £5.50 TODAY**

ALL EQUIPMENT COVERED BY OUR 12 MONTHS FULL GUARANTEE

**CALLERS WELCOME**

**LEWIS radio**

PW 9/74

100 Chase Side, Southgate, London N14 5PL  
Tel: 01-886 3733/9666

**FELSTEAD ELECTRONICS (PW83)** LONGLEY LANE, GATLEY, CHEADLE, CHESHIRE SK8 4EE

**STYLI** Replacements for virtually all ACOS, BSR, COLLARO, GARRARD, PHILIPS, RONETTE, SONOTONE. Single Tip: Sapphire 19p, Diamond 37p. Double Tip: Can be Stereo/LP + 75 or ST/LP - BT/LP Sapphire 37p. Double Tip: Diamond ST/LP + Sapphire 78 85p, Diamond ST/LP + Diamond ST/LP £1.25. For **GOLDRING** Diamond G800, G800B and G850 at £2.10 each. G800E at £4.10. **FREE LIST (FOR SAE) FULL DETAILS STYLI AND CARTRIDGE EQUIVALENTS** including SHURE, PICKERING, AUDIO TECH. B. & O., AND MANY MORE STYLI FOR MAGNETIC AND CRYSTAL PICK-UPS. Charges 10p any quantity.

**CARTRIDGES.** All with styli and fittings. Replacements for ACOS GP/91 SC (Stereo-mono compatible series) at £1.05, GP93 Stereo at £1.45, GP94 Stereo Ceramic at £1.98; for **RONETTE DC/4008SC** (Speed change switch at front) for GP67, TC8 & c.) at £1.25; for **BSR X3H, X5H and X6M** at £1.35 each, X55H and X65M at £1.70 each. TC8H at £1.50; **RECORDING TAPE**, 3 pins, £2.15; charges 10p any quantity.

**RECORDING TAPE.** ALL FINEST BRITISH MYLAR. 5" 600 ft. 40p; 5" 900 ft. 55p; 5 1/2" 1200 ft. 75p; 7" 1800 ft. £1.05. Charges for 5" and 5 1/2", 1-1, 13p each; 5 and over, 33p the lot. Charges for 7", 1-3 15p each, 4-5 35p the lot, 6 and over 40p the lot.

**SPEAKERS** 2 1/2", 3, 8 or 64 ohms (state which) 55p. Charges 10p each. 12" round, fitted cone tweeter, 6 watt+ undistorted, 3, 8 or 15 ohms (state which) £2.40 (charges 35p) OR, PAIR FOR STEREO, £5.30 charges paid.

**CONNECTING WIRE.** Pkts. of 5 coils, ass't. cols. each 5 yds. Solid core 19p (10p charges). Flexible 21p (10p charges).

**EARPIECES.** Magnetic. 2.5 or 3.5mm plug (state which) 15p. CRYSTAL (3.5mm only) 35p (all 10p up to 6).

**VIBRATORS.** 7 pin SYNCH. (12BR7 type) 75p. 4-pin NON-synch (121HD4) 45p (all 10p each).

Send SAE for free styli, cartridge and components list. All prices include VAT.

**poly-planar**

**20-Watt Full Range Speaker**

Completely replaces the conventional cone speaker  
Super-thin construction  
permits new installation ideas.

Power capability: 40 watts peak. Frequency range: 40 Hz-20 KHz  
Sensitivity: 85 dB/M for 1 watt electrical input. Input impedance: 8 ohms. Operating temperature range: -20°F to +175°F. Size (WxDxL): 1-7/16" x 1-3/4" x 1-11/16". Weight: 19 ounces.

£7.50 each Stereo pair £14.50

INCLUSIVE OF VAT AND POSTAGE

**web europa**

P.O. Box 162, Watford WD1 1AA



**MAINS UNITS for all types of TRANSISTOR EQUIPMENT**

**RUN YOUR TAPE RECORDER OFF AC MAINS**

Mains unit supplied complete and ready to plug into your cassette-recorder. (State voltage, make and type of plug required. If in doubt send diagram of recorder socket).

**ONLY £2.97**

**CASSETTE OWNERS**

Buy a British Made battery eliminator for your car. This unit enables you to run your cassette tape recorder from the car whilst travelling. It is easily fitted and comes complete with fitting instructions. Please state make of cassette, voltage and type of plug required.



Price **£2.65**

**MAINS UNIT FOR TRANSISTOR RADIO ONLY**

For single outputs, 6v or 9v £2.42. For two separate outputs, 6v + 6v. or 6v. + 9v. £2.97 per unit. (Please state outputs required).

All units are completely isolated from mains by double wound transformer ensuring 100% safety.

ALL PRICES INC VAT & P & P

BRITISH MADE

FULL REFUND IF NOT COMPLETELY SATISFIED  
**R.C.S. PRODUCTS (RADIO) LTD.**  
(Dept. P.W.J.)  
36 Raymond Ave., South Woodford  
London, E18 2HG

Please mention  
**PRACTICAL WIRELESS**

when replying to Advertisements

**AERIAL BOOSTERS £3.30**

We make three types of Aerial Boosters: B45-UHF 625, B12-VHF 405, B11-VHF, RADIO

**VALVE BARGAINS**

Any 5-50p, 10-75p, 50-£3.30 -  
ECC82, ECL80, EB91, EB89, EF80, EF85, EF183, EF184, EY86, PCC84, PCC89, PCC189, PC97, PCF80, PCF86, PCF805, PCF808, PCL82, PCL83, PCL84, PCL85, PFL200, PL36, PL81, PL504, PY33, PY82, PY800, PY801, 30L15, EH90, PC88, PC86.

**TV COLOUR VALVES**

PL508, PL509, PY5001A, 25p EACH.  
Press Button U.H.F. Tuners-£2.50.  
Rotary U.H.F. Tuners-£2.00.

**PLUGS-SOCKETS**

Price per item, in brackets for ten  
**CO-AX PLUGS** 6p (50p) Socket surface 7p (60p). Connectors 4p (35p).

**D.I.N. PLUGS**

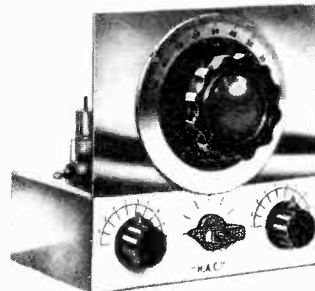
2 pin, 3 pin and 5 pin 20p (£1.65).  
**JACK PLUGS.** Standard 18p (£1.50). 3.5 mm 10p (80p), 2.5 mm 10p (80p).

All prices include V.A.T. P. & p. 10p per order. Money back refund. S.A.E. for leaflet

**ELECTRONIC MAILORDER (BURY) LTD.**

62 Bridge St., Ramsbottom, Bury, Lancs. Tel. Rams 3036.

**H.A.C. SHORT-WAVE KITS**  
**WORLD-WIDE RECEPTION**



Famous for over 36 years for Short-Wave Equipment of quality, "H.A.C." were the Original suppliers of Short-Wave Receiver Kits for the amateur constructor. Over 10,000 satisfied customers—including Technical Colleges, Hospitals, Public Schools, R.A.F., Army, Hams, etc.

**1974 "DX" RECEIVER**

Complete kit—Price £4.30 (incl. p. & p. & V.A.T.). Customer writes: "Australia, India and America at loud volume." "I have now heard over 300 stations including many Amateurs. I have received 32 Q.S.L. verified reports—from all continents. An amazing one-valver."

This kit contains all genuine short-wave components, drilled chassis, valve, accessories and full instructions. Ready to assemble, and of course, as all our products—fully guaranteed. Full range of other 8-W. kits, including the famous model "K plus" (illustrated above). All orders despatched by return. Send now for free descriptive catalogue of kits & components. Test Report available.

**EXCITING COMPETITION** for Short-Wave listeners. Send stamped envelope for details.  
**"H.A.C." SHORT-WAVE PRODUCTS**  
P.O. BOX No. 16, EAST GRINSTEAD, SUSSEX RH19 1SN

**NEW from A.S.P.**

**2" and 4" PANEL METERS**

2"		4"	
SIZE: 60mm Wide x 45mm High x 40mm Deep.	Movement	SIZE: 110mm Wide x 80mm High x 43mm Deep.	Movement
0-50 micro A.	1250	0-50 micro A.	1400
0-100 micro A.	599	0-100 micro A.	730
0-500 micro A.	170	0-500 micro A.	200
0-1 mA	170	0-1 mA	200
0-5 mA	170	0-5 mA	200
0-10 mA	6	0-10 mA	6
0-50 mA	6.5	0-50 mA	6.5
0-100 mA	6.5	0-100 mA	6.5
0-1 AMP	0.5	0-500 mA	0.5
0-2 AMP	0.5	0-1 AMP	0.5
0-25 Volt	15K	0-25 Volt	15K
0-50 Volt	50K	0-50 Volt	50K
0-300 Volt	300K	0-300 Volt	300K
"g" Meter	170	"g" Meter	200
VU Meter	5250	VU Meter	5250

VU Meters are complete with detectors, standard scale, and 100µA input.  
 Price 2" £2.95 Post 10p. Price 4" £3.95 Post 10p. Lamps 55p per set.

**1/2 watt CARBON FILM RESISTORS**  
 1/2 watt at 70°C in 12 range 10Ω-1MΩ 5% Tol above 470 K 10% Tol at 95p per 100.

**POWER UNIT Type A125**

Supplying 6 or 9 Volt DC at 200 mA.  
 In moulded case forming a 2 pin 5 A mains plug.  
 2 metre output lead with 4-way multiplex giving 3-1 and 2-5 into sockets and 3-5 mm plugs.  
 Price £2.25. Post 10p.



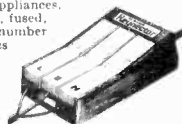
**ELECTRONIC MAINS TIMER**

A reliable unit ideal for timing Bathroom/Toilet Ventilators Stairway/Cloakroom Lighting etc. Gives up to 30 mins delay before switching off.  
 Delay 1-30 mins adjustable. Max Load 400VA at 1000 watts resistive. White Case 3 1/2" x 3 1/2" x 2". Fitting instructions included.  
 Trade Price £5.80. Post 20p.



**MAINS KEYNECTOR**

The safe, quick, connector for electrical appliances. 13 Amp rating, fused, will connect a number of appliances quickly and safely to the mains, ideal for testing, demonstrating, window displays, etc. Warning Light, interlocked to prevent connecting when live.  
 Trade Price: £2.95. Post 25p.



# TRANSFORMERS

**SAFETY ISOLATING**

Prim. 120/240V. Sec. 120/240V. Centre Tap with Screen.

VA (watts)	Ref. No.	Price Cased	Price Open	Post £
50	149	—	£3.74	0.38
100	150	—	4.18	0.52
200	161	£9.48	7.48	0.52
250	152	12.05	9.57	0.65
350	163	14.00	11.44	0.80
500	164	16.80	13.20	1.00
1000	166	30.70	27.48	1.20
2000	158	60.95	55.44	—
3000	159	79.53	72.49	—

**50 Volts**

Prim. 200-240V. Sec. 19, 25, 33, 40, 50V.

Amps	Ref. No.	Price £	Post £
0.5	102	2.11	0.30
1	103	3.08	0.38
2	104	4.29	0.42
3	105	5.77	0.52
4	106	7.48	0.52
6	107	11.00	0.67
8	118	14.19	0.97
10	119	17.60	0.97

**60 Volts**

Prim. 200-240V. Sec. 24, 30, 40, 48, 60V.

Amps	Ref. No.	Price £	Post £
0.5	124	2.10	0.38
1	126	2.87	0.38
2	127	5.77	0.42
3	125	7.15	0.52
4	123	9.35	0.67
5	40	11.55	0.87
6	120	13.57	0.82
8	121	16.00	1.00
10	122	19.40	1.00
12	189	21.62	1.10

**12 & 24 Volts Prim. 200-240V.**

Amps	Ref. No.	Price £	Post £	
0.3	0-15	2.42	1.34	0.22
0.5	0-25	1.11	1.84	0.22
1	0-5	2.13	1.59	0.22
2	1	7.1	2.09	0.22
4	2	18	2.75	0.38
6	3	7.9	3.58	0.42
8	4	10.8	3.98	0.52
10	5	7.2	4.67	0.52
12	6	11.6	5.67	0.52
16	8	17	6.84	0.52
20	10	11.5	10.23	0.69
30	15	18.7	13.75	0.97
40	20	23.2	18.28	1.10
60	30	22.6	22.52	1.10

**MINIATURE AND EQUIPMENT**

Prim. 240V with screen.

Sec. 1 Volts	Sec. 2	Milliamps	Ref. No.	Price £	Post £
3-0-3	—	200	—	1.23	0.10
0-6	0-6	500	500	1.30	0.10
0-6	0-6	1000	1000	1.68	0.22
0-9-9	—	100	—	1.23	0.10
0-9	0-9	300	330	2.35	1.45
0-8-9	0-8-9	500	500	2.07	2.28
0-8-9	0-8-9	1000	1000	2.04	3.03
15-0-15	—	40	—	2.40	1.23
0-15-0	0-15	200	200	2.36	1.80
20-0-20	—	30	—	2.41	1.23
0-20	0-20	150	150	2.37	1.30
0-15-20	0-15-20	500	500	2.05	2.87
0-20	0-20	300	300	2.14	1.75
0-20	—	3500	NO SCREEN	1116	3.00
20-12-0	12-20	—	700 (U/C)	2.21	1.55
0-15-20	0-15-20	1000	1000	2.06	3.80
0-15-27	0-15-27	500	500	2.03	3.08
0-15-27	0-15-27	1000	1000	2.04	2.24

**30 Volts**

Prim. 200-240V. Sec. 12, 15, 20, 24, 30V.

Amps	Ref. No.	Price £	Post £
0.5	112	1.58	0.22
1	79	2.20	0.38
2	3	8.19	0.38
3	20	8.98	0.42
4	21	4.68	0.52
6	15	6.80	0.69
8	117	6.93	0.52
8	88	9.00	0.67
10	89	10.00	0.67

**PLASTIC CASED SILICON BRIDGE RECTIFIERS**

One Amp	Two Amp	Four Amp	Six Amp
50 P.I.V. 25p	50 P.I.V. 35p	100 P.I.V. 55p	50 P.I.V. 65p
100 P.I.V. 25p	100 P.I.V. 40p	200 P.I.V. 55p	100 P.I.V. 70p
200 P.I.V. 28p	200 P.I.V. 45p	400 P.I.V. 65p	200 P.I.V. 80p
600 P.I.V. 30p	400 P.I.V. 50p	600 P.I.V. 75p	400 P.I.V. 90p

ADD 10p P & P PER ORDER

**AUTO TRANSFORMERS**

Cased versions are 240 Volt Mains to 115 Volts, smart steel cased units coated in tough resin with power lead, fuse and 115 Volt American type socket up to 500VA, above 500VA cable entry.

VA (Watts)	Ref. No.	Price Cased £	Price Open £	Post
Tapped at 115, 200, 220, 240 Volts	113	£2.52	1.32	0.30
75	64	—	2.83	0.30
Tapped at 115, 220, 240 Volts	150	4	3.29	0.39
200	65	5.56	3.98	0.40
300	66	6.77	4.04	0.52
500	67	9.50	8.03	0.67
1000	84	15.92	13.50	0.82
2000	95	29.70	25.30	1.50
3000	73	—	33.00	1.20

**POWER UNIT Type CC 12-05**

Output switched 3, 4.5, 6, 7.5, 9 and 12 Volts at 500 mA D.C. Operates from 240 V mains, suitable for Radios, Tape Recorders, Record Players etc. Size 7.5 x 5.0 x 1.4 cm. Price £3.95. Post 25p.



**PLEASE ADD 10% FOR V.A.T.**

## A.S.P. LTD.

DEPT PW9, SIMMONDS ROAD, WINCHEAP, CANTERBURY, KENT. Tel: (0227) 52436

**BAKER 12" MAJOR £11.55**  
 30-14,500 cps. Double cone woofer and tweeter loudspeaker. Baker ceramic magnet assembly, flux density 145,000 gauss. BASS RESONANCE 40 cps 20 watt RMS.

**MAJOR MODULE KIT £14.85**  
 30-17,000 cps. woofer, tweeter, crossover and baffle as illustrated. Size 19in x 12 1/2in.

NOTE—When ordering state 3 or 8 or 15 ohms.

**BAKER LOUDSPEAKERS 100% BRITISH MADE**

Regent 12 in. 15W £10.45	Superb 12 in. 20W £18.70	New Group 50/12 12 in. 50W £17.60
Major 12 in. 20W £11.55	Group 25 12 in. 25W £10.45	
Deluxe 12 in. 15W £13.20	Group 35 12 in. 35W £11.55	

**BAKER LOUDSPEAKER CO., BENSHAM MANOR PASSAGE**  
 THORNTON HEATH, SURREY Tel. 01-684 1665  
 ALL PRICES INCLUDE V.A.T. HI-FI ENCLOSURE PLANS 42p

**INTER-LOCKING PLASTIC STORAGE DRAWERS**

NEAT! HANDY! TIDY!

**DISCOUNT PRICES**

Single Units (5" x 2 1/2" x 2 1/4") £1.75 Dozen  
 Double Units £3.00 Dozen. TREBLE (3D) £1.90 for 8  
 Double Treble £4.25 for 8  
 EXTRA LARGE SIZE (6D) £3.90 for 8.  
 Carriage 40p. Orders over £10 post free.  
 QUANTITY DISCOUNTS! 5% in £1 for orders over £15; 7 1/2% over £30, 10% over £50. Quotations for large quantities.  
 PLEASE ADD 10% VAT TO TOTAL REMITTANCE.

**FLAIRLINE SUPPLIES** (Dept. PW9), 124 CRICKLEWOOD BROADWAY, LONDON N.W.2 01-450 4844

# BI-PRE-PAK

SUPPLIERS OF SEMI-CONDUCTORS TO THE WORLD



## Telephone Corner

COMPLETE TELEPHONES

Normal Household Type

EX. G.P.O. Only **£1.05p** P & P 45p each

### TELEPHONE DIALS

Standard Post Office type. Guaranteed in working order.

POST & PACKING 16½p

## Tested and Guaranteed Paks



B79	4	IN4007 Sil. Rec. diodes 1,000 PIV lamp plastic	55p
B81	10	Reed Switches, 1" long, 3/8" dia. High Speed P.O. type	55p
H35	100	Mixed Diodes, Germ. Gold bonded, etc. Marked and Unmarked.	55p
H38	30	Short lead Transistors, NPN Silicon Planar types	55p
H39	6	Integrated Circuits. 4 Gates BMC 962, 2 Flip Flops BMC 945	55p
H41	2	Sil Power transistors comp pair BD131/132	55p
H63	4	2N3055 type NPN Sil. power transistors. Below spec. devices	55p
H64	4	3B19 N Channel FETs 2N3819 in plastic case	55p



## Unmarked Untested Paks

B1	50	Germanium Transistors PNP, AF and RF	55p
B66	150	Germanium Diodes Min. glass type	55p
B83	200	Transistors, manufacturers rejects, AF, RF, Sil. and Germs.	55p
B84	100	Silicon Diodes DO-7 glass equiv. to OA200, OA202	55p
B86	100	Sil. Diodes sub. min. IN914 and IN916 types	55p
H34	15	Power Transistors, PNP, Germ. NPN Silicon TO-3 Can.	55p
H67	10	3B19N Channel FETs plastic case type	55p

## Make a rev counter for your car

The 'TACHO BLOCK'. This encapsulated block will turn any 0-1mA meter into a linear and accurate rev. counter for any car with normal coil ignition system.

**£1.10p** each

## Ex GPO Push Button Intercom Telephones

Exactly as internal telephone systems still in everyday use where automatic internal exchanges have not yet taken over. Available in 5, 10 or 15 ways. Complete with circuits and instructions. Price of each instrument is independent of the number of ways. Please phone for latest details of cable.

**£2.75 p.p. 38½p** Per Instrument

Extension Telephones. 71½p each, p.p. 27½p. £1.37½ for 2. P.&P. 55p. These phones are extensions and do not contain bells.

## New X Hatch

Our new vastly improved Mark Two Cross Hatch Generator is now available. Will align the colour guns on a colour T.V. receiver.

Featuring plug in IC's and a more sensitive sync. pick-up circuit. The case is virtually unbreakable—ideal for the engineer's tool box—and only measures 3" x 5 1/2" x 3". Ready built unit only **£10.92** Complete kit **£8.72**

(includes V.A.T. and p. & p. but no batteries)



## LM380 AUDIO IC

We have just received a large consignment of LM380 IC's. These are specially selected to a higher grade and are marked with the number SL60745.

This fantastic little 3watt audio IC only requires two capacitors and two potentiometers to make an amplifier with volume and tone control. The quality is good and has to be heard to be believed.

Our special price **£1.10** ea. complete with data and projects book.

## Over 1,000,000 Transistors in stock

We hold a very large range of fully marked, tested and guaranteed transistors, power transistors, diodes and rectifiers at very competitive prices. Please send for free catalogue.

### Our very popular 4p transistors

TYPE "A" PNP Silicon alloy, TO-5 can  
TYPE "B" PNP Silicon, plastic encapsulation  
TYPE "C" PNP Germanium AF or RF  
TYPE "F" NPN Silicon plastic encapsulation  
TYPE "G" NPN silicon similar ZTX 300 range  
TYPE "H" PNP silicon similar ZTX 500 range

8 RELAYS FOR VARIOUS TYPES P & P 27½p **£1.10p**

## High Speed Magnetic Counter



4 digit (non-reset) 24V or 48V 4 x 1 x 1 in. 33p. P. & P. 5p.

## Plastic Power Transistors



NOW IN TWO RANGES

These are 40W and 90W Silicon Plastic Power Transistors of the very latest design, available in NPN or PNP at the most shatteringly low prices of all time. We have been selling these successfully in quantity to all parts of the world and we are proud to offer them under our Tested and Guaranteed terms.

Range 1. VCE. Min 15. HFE Min 15.	1-12	13-25	26-50
40 Watt	22p	20p	18p
90 Watt	26½p	24½p	22p
Range 2. VCE. Min. 40. HFE Min 40.	1-12	13-25	26-50
40 Watt	33p	31p	29p
90 Watt	38½p	36½p	33p

### INTEGRATED CIRCUITS

We stock a large range of I.C.s at very competitive prices (from 11p each). These are all listed in our FREE Catalogue, see coupon below.

### METRICATION CHARTS now available

This fantastically detailed conversion calculator carries thousands of classified references between metric and British (and U.S.A.) measurements of length, area, volume, liquid measure, weights etc.

Pocket Size 15p Wall Chart 18p

### LOW COST DUEL IN LINE I.C. SOCKETS

14 pin type at 16½p each } Now new low profile  
16 pin type at 18p each } type

### BOOKS

We have a large selection of Reference and Technical Books in stock. Details are in our latest Catalogue. Send for it TODAY, using the coupon below. N.B. Books are void of V.A.T.

Send for lists of publications

## Our famous P1 Pak is still leading in value

Full of Short Lead Semiconductors & Electronic Components, approx. 170. We guarantee at least 30 really high quality factory marked Transistors PNP & NPN, and a host of Diodes & Rectifiers mounted on Printed Circuit Panels. Identification Chart supplied to give some information on the Transistors.

11p P & P on this Pak.

Please ask for Pak P.1. only **55p**

Please send me the FREE Bi-Pre-Pak Catalogue

NAME .....

ADDRESS .....

ALL PRICES INCLUDE 10% VAT

MINIMUM ORDER 50p. CASH WITH ORDER PLEASE. Add 11p post and packing per order OVERSEAS ADD EXTRA FOR POSTAGE

BUY THESE GOODS WITH ACCESS

**BI-PRE-PAK LTD**

Co Reg No 820919

Dept. D. 222-224 WEST ROAD, WESTCLIFF-ON-SEA, ESSEX.

TELEPHONE: SOUTHEND (0702) 46344.

# Practical Wireless Classified Advertisements

The pre-paid rate for classified advertisements is 12p per word (minimum 12 words), box number 30p extra. Semi-displayed setting £10.00 per single column inch. All cheques, postal orders, etc., to be made payable to PRACTICAL WIRELESS and crossed "Lloyds Bank Ltd." Treasury notes should always be sent *registered post*. Advertisements, together with remittance, should be sent to the Classified Advertisement Manager, PRACTICAL WIRELESS, IPC Magazines Ltd. Fleetway House, Farringdon Street, London, EC4A 4AD for insertion in the next available issue.

## Situations Vacant

### WIRELESS TECHNICIANS

There are vacancies at the Home Office Central Communications Establishment and London Region Depot both of which are situated at Headstone Drive, Wealdstone, Harrow, Middlesex, also at Rochester Row, London, SW1 for Wireless Technicians to assist with the installation and maintenance of VHF and UHF systems. Ability to drive a car and possession of current driving licence is desirable.

**PAY:** inclusive of an optional interim addition is £1370 (at 17) and £1965 at 25 rising to £2309 (plus £110 Outer London Weighting at Harrow and £228 Inner London Weighting at Rochester Row).

Generous leave allowance, good pension scheme and good prospects of promotion.

**QUALIFICATIONS:** City and Guilds, Intermediate Telecommunications Certificate or equivalent.

Vacancies also occur from time to time in various parts of the country.

*For further details phone or write to:*

**Mr C B Constable**  
Directorate of Telecommunications  
60 Rochester Row LONDON SW1P 1JX  
(Telephone Number 01-828 9848 Extension 734)

### DEPARTMENT OF ELECTRICAL ENGINEERING

ONLY one 'A' level (Maths or Physics)?  
Looking for a degree type course and employment with career prospects?  
Would you prefer an electrical and electronic course with a strong practical element?  
3 year Sandwich Course - Industrial Training arranged.  
Student residence available.  
Apply to **Head of Department of Electrical Engineering, Norwich City College, Ipswich Road, Norwich, NR2 2LJ**



**Norwich City College**

### Ladders

**LADDERS.** 'Special Offer' Unvarnished triples, 9ft 7in closed—23ft lin extended. £18.90 delivered. Home Sales Ladder Centre (WLS2) Haldane (North) Halesfield (1) Telford, Shropshire. Tel: 0952 586644.

**HAMPSTEAD HIGH FIDELITY** require a first class field Audio Engineer. Must be conversant with quality equipment and be able to work on own initiative, and accept responsibility. Excellent salary and prospects. For appointment apply: 01-435 6377, 01-435 0999, 91 Heath Street, London NW3.

**MEN!**  
**£70p.w.**  
**can be yours**

Jobs galore! 144,000 new computer personnel needed by 1977. With our revolutionary, direct-from-America, course, you train as a Computer Operator in only 4 weeks! Pay prospects? £3500 + p.a. After training, our exclusive appointments bureau—one of the world's leaders of its kind—introduces you **FREE** to world-wide opportunities. Write or phone **TODAY**, without obligation.

**London**  
**Computer Operators**  
**Training Centre**

T70, Oxford House

9-15, Oxford Street, W.1.  
Telephone: 01-734 2874

### Service Sheets

#### LARGE SUPPLIER OF SERVICE SHEETS

(T.V., RADIO, TAPE RECORDERS,  
RECORD PLAYERS, TRANSISTORS,  
STEREOGRAMS, RADIOGRAMS,  
CAR RADIOS)  
ALL AT 40p EACH

**" PLEASE ENCLOSE LARGE S.A.E.  
WITH ALL ENQUIRIES & ORDERS "**

Otherwise cannot be attended to  
(Uncrossed P.O.'s please, original  
returned if service sheets not available.)

**PLEASE NOTE**  
We operate a "by return of post" service. Any  
claims for non-delivery should be made within  
7-days of posting your order.

### C. CARANNA

**71 BEAUFORT PARK  
LONDON, N.W.11 6BX**

We have the largest supplies of Service Sheets (strictly by return of post). Please state make and model number alternative. Free TV fault tracing chart or TV list on request with order.

Mail order or phone 01-458 4882

**SERVICE SHEETS** for over 6,000 models of Televisions, Radios, Transistors, Stereo, Tape Recorders, Record Players, etc., at only 30p plus SAE with free Fault-Finding Guide. Over 50,000 sheets in stock for 10,000 models, SAE enquiries. Catalogue 20p plus SAE. Hamilton Radio, 47 Bohemia Road, St. Leonards, Sussex. Telephone Hastings 429066.

**SERVICE SHEETS, Radio, TV etc., 8,000 models. Catalogue 20p. S.A.E. enquiries. Telray, 11 Maudland Bank, Preston.**

## Books and Publications

### Technical Books - Radio & Electronics

Handbook of Tested Transistor Circuits.....	£0-40
Radio Servicing for Amateurs.....	£0-20
Radio TV and Electronics Data Book.....	£0-25
Coil Design and Construction Manual.....	£0-30
How to Solve Solid State Circuit Troubles.....	£1-75
Transistor Circuits Manual No. 1.....	£0-15
Transistor Circuits Manual No. 2.....	£0-15
Jack Darr's Service Clinic.....	£1-35
Transis Circuits for Radio Controlled Models.....	£0-40
Rad & Elect Colour Codes and Data Chart.....	£0-15
Handbk of Transistor Equiv and Substitutes.....	£0-40
Hi Fi, PA & Disco Amplifier Design Hndbk.....	£0-75
Radio Servicing Problems.....	£0-45
Electronic Circuits for the Amat Photographer.....	£0-60
Handbook of Simple Transistor Circuits.....	£0-35
How to build Solid State Audio Circuits.....	£1-75
Sound and Loudspeaker Manual.....	£0-50
TV Technicians Bench Manual.....	£2-50
Radio TV and Industrial Tube & Valve Equip.....	£0-40
Audio Amplifiers.....	£0-53
Television Servicing Vol. No. 1.....	£0-85
Television Servicing Vol. No. 3.....	£0-60
Television Servicing Vol. No. 4.....	£0-85
Radio Technicians Bench Manual.....	£3-00
Servicing Transistor Radio Receivers.....	£1-00
Television Timebase Circuits.....	£1-75
2nd Book of Hi Fi Loudspeaker Enclosures.....	£0-60
Manual of Electronic Circuits for the Home.....	£0-50
Modern Crystal Set Circuits for Beginners.....	£0-35
Electronic Novelties for the Motorist.....	£0-50
2nd Book of Transistor Equiv & Substitutes.....	£0-95
Handbook of Electronic Musical Novelties.....	£0-50
Transistorised Novelties for Hi Fi Enthusast.....	£0-35
Fault Location Exercises in Rad. & TV Vol. 1.....	£0-80
Fault Location Exercises in Rad. & TV Vol. 2.....	£1-35
Colour TV Picture Faults.....	£2-50
Practical Transistor Novelty Circuits.....	£0-40
Semi-conductors from A-Z.....	£1-50
Radio Receiver Construction using ICs & Transis.....	£0-60
ICs & Transistor Gadgets Construction Hndbk.....	£0-60
Integrated Circuits Equiv. & Substitutes Hndk.....	£0-75

**FREE!** \*\*\*\*\*  
 \* A Resistor Colour Code Disc Calculator \*  
 (Invaluable to the keen radio constructor!)  
 \* OFFERED FREE ON REQUEST FOR ORDERS £3 AND OVER \*  
 \* PLEASE ADD 10% FOR POSTAGE & PACKING \*

**RADIO BOOK SERVICE**  
 40 Elwill Way, Beckenham BR3 2RZ

## For Sale

**TV LINE OUTPUT TRANSFORMERS**  
 Tldman Mail Order Ltd., 236 Sandycroft Rd., Richmond, Surrey, TW9 2EQ. 01-948 3702.

**LIGHTSHOW PROJECTORS** from only £17, effect wheels from only £4. Many lightshow bargains at **ROGER SQUIRE'S (Disco Centre)**, 176 Junction Road, London N19. Tel. 01-272 7474.

**SEEN MY CAT?** 5,000 items. Mechanical & Electrical Gear, and materials. S.A.E. K. R. WHISTON, Dept. PW, NEW MILLS, Stockport.

**SOUND TO LIGHT CONVERTORS** 3-channel, 1.5 kW £18, 3 kW £25, single channel £9; Sequencer £93; Strobes from £19; Projectors from £24; etc. Call or mail Aarvak Electronics, 98A West Green Road (Side Door), London N15 5NS. 01-800 8656.

**BARGAINS! NOVELTIES!** Unbeatable savings to be made by mail order. Send without delay for our **FREE** list. Chandlers of Brighton, 4 Wentworth Street, Brighton, Sussex.

**MICROPHONES:** AKG D109, £12.65; AKG D202E1, £43.45; AKG D190C, £18.70; AKG D190E, £20; AKG D224 £55; Sennheiser MD211N, £49.50; Sennheiser MD413N, £29.70. All brand new and boxed. Send CWO to J. J. Francis, (Wood Green) Ltd., Manwood House, Matching Green, Harlow, Essex. Tel: Matching 476.

**VALVES.** Large stocks 1930 to 1974. Many obsolete types. S.A.E. for quotation. List 10p. Cox Radio, The Parade, East Wittering, Sussex. West Wittering 2023.

**LARGE QUANTITY** electronics equipment including magazines and books. Suit amateur enthusiast. Write Box 111.

## Wanted

**TOP PRICES PAID FOR NEW VALVES and TRANSISTORS**  
 popular T.V. and Radio types.  
**KENSINGTON SUPPLIES (C),**  
 367 Kensington Street, Bradford 8, Yorkshire.

**WE BUY** New Valves, Transistors and clean new components, large or small quantities, all details, quotation by return. **WALTON'S,** 55 Worcester Street, Wolverhampton.

**EARLY WIRELESS** receivers, components and magazines, details to Johnson Raffles, Haverbreaks, Lancaster.

**WANTED.** McMichael Radio, Model 154, or parts. Donnan, 90 Main Road, Portogvie, Ireland.

**REQUIRED BY ZS HAM,** Electroniques Ferrite Cores, 6mm dia. 1mm thread pitch, 12.7mm length. Write to G2BXJ, 45 Blake Road, Great Yarmouth.

## Aerials

**GENUINE FULL SIZE 18 element TV aerial** as used by leading TV companies



FOR ONLY **£2.20** (incl. VAT) + 35p cart

Save ££s We supply the genuine UHF aerial for only £2.20 can be fitted outside or inside. Dual type made technically advanced design. Precision guide/reflector eliminates ghosting. Complete with clamp, instructions advice. Money Back Refund. Wall/Caravan Bracket 25p. Low Loss Cable 10p per yard. Plug 8p & FREE with order maps & channel reference of all Radio & TV Transmitters. SEND DIRECT TO DEPT. PW90 219 Mansfield Rd. Nottingham.

**IMPERIAL TRADING (AERIALS) LTD.**  
 the quality Aerial Specialists.

**J. and A. Tweedy Limited Incorporating**  
**Baines High Frequency Aerials**  
 All prices include postage and VAT  
 Full range of TV, FM and Amateur aerials by J Beam  
 Parabeams PBM 12 £3.60 PBM 12 £4.60  
 Multibeams MBM 30 £4.70 MBM 45 £7.40 MBM 70 £12.95  
 Log Periodic £6.40  
 Stereobeams SBM 2 £3.15 SBM 3 £4.70 SBM 4 £5.15  
 SBM 6 £7.95  
 Aerial Rotators AR30 £27.50 AR 40 £33.00  
 Amplifiers Meathack £6.07 Setback £4.50  
 We are local stockists of AMTRON KITS and BIB  
 Accessories CERTRON CASSETTES and COPAL  
 DIGITAL CLOCKS  
 79 Chatsworth Road, Chesterfield, S40 2AP  
 Telephone 34982-863755 (evenings).

## Receivers and Components

### Precision Polycarbonate Capacitors

All High Stability - Extremely Low Leakage

440V AC (±10%)	63V Range	±1%	±2%	±5%	
0.1µF (11" x 4")	50p	0.47µF	50p	40p	30p
0.22µF (11" x 4")	80p	1.0µF	80p	40p	40p
0.25µF (11" x 4")	80p	2.2µF	80p	40p	50p
0.47µF (11" x 4")	71p	4.7µF	21.00	11.00	80p
0.5µF (11" x 4")	75p	6.8µF	21.00	11.00	80p
0.89µF (2" x 4")	80p	10.0µF	22.00	11.00	80p
1.0µF (2" x 4")	81p	15.0µF	22.75	11.00	80p
2.0µF (2" x 4")	81p				

TANTALUM BEAD CAPACITORS - Values available:  
 0.1, 0.22, 0.47, 1.0, 2.2, 4.7, 6.8µF at 15V/25V or 33V;  
 10.0µF at 16V/20V or 25V; 22.0µF at 6V/10V or 16V;  
 33.0µF at 6V or 10V; 47.0µF at 3V or 6V; 100.0µF at 3V.  
 ALL at 10p each, 10 for 95p, 50 for 24.

**TRANSISTORS:**

BC107/8/9	9p	BC184/184L	12p	BFY51	20p
BC114	12p	BC212/212L	14p	BFY52	20p
BC147/8/9	10p	BC347/355A	12p	AF178	30p
BC153/7/8	10p	BF194	12p	OC71	12p
BC182/182L	11p	BF197	13p	2N3055	50p

**POPULAR DIODES**-1N914 6p, 8 for 45p, 18 for 80p; 1N916 8p, 6 for 45p, 14 for 80p; 1844 6p, 11 for 50p, 24 for 81.00, 1N4148 5p, 6 for 27p, 12 for 48p; 1N4001 84p, 002 6p, 003 6p; 004 7p, 005 7p; 006 8p; 007 81p. **LOW PRICE ZENER DIODES**-400mV, Tol. ±5% at 5mA. Values available: 3V, 3.6V, 4.7V, 5.1V, 5.6V, 6V, 6.8V, 7.5V, 8.2V, 9.1V, 10V, 11V, 12V, 13V, 13.5V, 15V, 16V, 18V, 20V, 22V, 24V, 27V, 30V. All at 7p each, 6 for 30p, 14 for 84p. **SPECIAL OFFER:** 100 Zeners for 45.60.

**RESISTORS**-High stability, low noise carbon film 5%, 1W at 40°C, 1/2W at 70°C. E12 series only - from 2.2Ω to 2.2MΩ. ALL at 1p each, 8p for 10 of any one value, 7p for 100 of any one value. **SPECIAL PACK:** 10 of each value 2.2Ω to 2.2MΩ (730 resistors) 25.

**SILICON PLASTIC RECTIFIERS**-1.5 amp, brand new wire sealed 0027, 100 P.I.V. 7p (4 for 25p); 400 P.I.V. 8p (4 for 20p); 800 P.I.V. 11p (4 for 42p).  
**BRIDGE RECTIFIERS**-2 1/2 amp; 200V 40p; 350V 45p; 600V 55p.  
**SUBMINIATURE VERTICAL PRESETS**-0.1W only: ALL at 5p each; 50Ω, 100Ω, 220Ω, 470Ω, 680Ω, 1kΩ, 2.2kΩ, 4.7kΩ, 6.8kΩ, 10kΩ, 15kΩ, 22kΩ, 47kΩ, 100kΩ, 680kΩ, 1MΩ, (4 for 42p).  
 PLEASE ADD 10p POST AND PACKING ON ALL ORDERS BELOW £5. ALL EXPORT ORDERS ADD COST OF SEA/AIRMAIL.

PLEASE ADD 10% V.A.T. TO ORDERS.  
 Send S.A.E. for lists of additional ex-stock items.  
 Wholesale price lists available to bona fide companies.

**MARCO TRADING (Dept. W9),**  
 The Mailings, Station Road, Wem, Shropshire.  
 Tel: Nantwich (Cheshire) 83291 (STD 0270)  
 (Proprs.: MiniCoat Trading Ltd.)

## BETA DEVICES

**MANUFACTURERS BRANDED PRODUCTS**

TRANSISTORS	10p	DIODES & RECT.	
AC189/188	0.80	W01 A	0.20
PR.	0.40	W06 1A	0.04
BC107/	741C TO 99 0.86	OA202	0.09
BC108	741C D.I.L. 0.88	1N4001/2	0.05
BC109C	723C D.I.L. 0.80	1N4003/4/5	0.06
BC147/8/9	747C D.I.L. 0.86	1N4006/7	0.08
BC170/172/18	748C D.I.L. 0.86		
BFX 66/87/88	0.20	<b>BRIDGES</b>	
BFY50	0.18	W01 A	0.20
BFY51/52	0.12	W06 1A	0.04
OC28	0.48	every order	0.80
OC35	0.86		
2N2646	0.80	<b>D.I.L. SOCKETS</b>	
2N3053	0.14	8-Pin	0.18
2N3055	0.88	14-Pin	0.12
2N3442	0.14	16-Pin	0.14
2N3773	0.20		
40411	0.20	All prices	20p - Red 0.17
40686	0.10	include V.A.T.	L.E.D. Clip 0.08

**C.W.O. PLUS P.P. 10p TO BETA DEVICES,**  
 263 THE RIDGEWAY, ENFIELD, MIDD.

**TAPE HEADS**

For valve and transistorized recorders from £2 ea.

Send stamp for lists.  
**R.D.I. Ltd.**  
 Chilton Works,  
 Garden Rd.,  
 Richmond,  
 Surrey,  
 TW9 4NS

**COMPONENTS GALORE.** Pack of 500 mixed components manufacturers surplus plus once used. Pack includes resistors, carbon and W.W., capacitors various, transistors, diodes, trimmers, potentiometers etc. Send £1+10p p.p.C.W.O. To: Caledonian Components, Strathore Road, Thornton, Fife.

### INCOMPARABLE V.H.F. KIT

CV2—unique triple-purpose (Converter, Receiver, Tuner—Feeder) kit for the amateur enthusiast. Fantastic translator performance. World Wide Sales. Complete kit of top grade parts covers 80-180 MHz with easy build diagrams only £5 direct from makers or S.A.E. for free literature.

**JOHNSONS (RADIO) Est. 1943**  
SHAW ST., WORCESTER WR13QQ.

### P.W. F.M. TUNER (P.W. MARCH—MAY 74)

Printed Circuits 75p ea (pp 15p)  
Separate Components available

### TEXAN AMPLIFIER



#### Packs

- |                    |       |      |     |
|--------------------|-------|------|-----|
| 1. Resistors       | 80    | p.p. | 15p |
| 2. Capacitors      | £2.90 | "    | 15p |
| 4. Sundries        | 2.50  | "    | 15p |
| 5. Switches        | 1.00  | "    | 15p |
| 6. Potentiometers  | 1.45  | "    | 15p |
| 7. Semi Conductors | 8.25  | "    | 15p |
| 8. Transformer     | 6.95  | "    | 30p |
| 9. Printed Circuit | 2.50  | "    | 15p |
| 10. Chassis        | 3.00  | "    | 25p |
| 10a. Front panel   | 1.50  | "    | 15p |
| 11. Cables         | 40    | "    | 15p |
| 13. Teak Case      | 3.00  | "    | 37p |

#### VAT EXTRA

S.A.E. FOR LISTS

**TELERADIO ELECTRONICS,**  
325 FORE ST., LONDON, N.9.  
Tel. 01-807 3719

### NEW MODEL V.H.F. KIT MK2

Our latest kit. Improved design and performance plus extra amplifier stage, receives aircraft, amateurs, mobile, radio 2, 3, 4, etc., this novel little set will give you endless hours of pleasure and can be built in one evening. Powered by 9 volt battery, complete with easy to follow instruction and built in jack socket for use with earphones or amplifier.

Only £4.00 + p&p 20p U.K. only.

Illustrated catalogue of selected kits and components, 20p inc. VAT. P&P free.

#### ALL PRICES PLUS 10% VAT

Gallon Trading Co.  
12, Burrs Way,  
Corringham,  
Stanford-Le-Hope,  
Essex. SS17 9DE

250mA Cartridge Fuses 1 1/2. 75p for 100.  
Unused Carbon Resistors. 100 different 38p (state high, medium or low range pack). Your choice 65p per 100.  
Unused Wirewound Resistors—100 assorted £1.  
150 Unused Capacitor Mixture incl. Electrolytic—Silver Mica—paper—Metalised. 65p  
8BA to 2BA. Nut-bolt washer mixture—Brass 30p per 1lb—Steel 25p per 1lb.  
Ex G.P.O. Dial Telephones £1.40p.  
20 Assorted Potentiometers Unused £1.00.  
Ex Govt. Standard Jack Plugs 4 for 50p.  
New 6 volt 36 watt SBC Bulbs 65p per doz.  
Earphones Ex Govt. 452 a side 60p per pair.  
(All postage included in price.)

### SOUND SYSTEMS OF SUFFOLK

676 Foxhall Rd., Ipswich, Suffolk IP3 8NQ

TRANSITOR Amplifier 50p; LW/MW Mixer Panels 50p. 25 Assorted skeleton presets 50p. Radio Cabinets, suitable ex-speakers 50p. Archer, 9 Pine Grove, Maidstone, Kent.

NEW & GUARANTEED AC 127, AC 128, AC 188 at 11p each inclusive VAT. CWO. Plus P&P 10p to S. R. International, 25 Clovelly Avenue, London NW9 6DT.

**BRAND NEW COMPONENTS** by return. Electrolytics, 15V, 25V, 50V 0.47, 1, 2.2, 4.7, 10 Mfd.s.—4p, 22, 47—412p (50V—5p), 100—512p (50V—7p), 220—6p (50V—9p). Subminiature bead-type tantalums 0.1/35V, 0.2/25V, 0.47/35V, 1/35V, 2.2/35V, 4.7/35V, 10/16V, 22/16V, 47/6V, 100/3V—9p. Mylar Film 100V 0.001, 0.002, 0.005, 0.01, 0.02—212p, 0.04, 0.05—3p. Mullard Tubular Polyester 400V E6 series, 0.001-0.02—3p, 0.033-0.1—4p. Mullard miniature C333 ceramics E12 series 2% 1.8pf.-47pf.—212p, 56pf.-330pf.—3p. Polystyrene 63V, E12 series 10pf.-1,000pf.—212p, 1,200pf.-10,000pf.—312p. Miniature Highstab Carbon Film Resistors 1/3W E12 series 5% 10-10MΩ (10% over 1 Megohm)—1p. Postage 8p. Prices VAT inclusive. The C.R. Supply Co., 127 Chesterfield Road, Sheffield S8.

### Miscellaneous

**TREASURE TRACER**  
MK III Metal Locator

- Varicap tuning
- Britain's best selling metal locator kit
- Weighs only 22oz.
- Speaker and earphone operation
- Knocks down to only 17in.
- Prebuilt search coil assembly
- Ministry approved design
- As seen on BBC1 and BBC2 TV
- You only need soldering iron, screwdriver, pliers and snips
- Five transistor circuit

Send s.a.e. for leaflet

**£9.80** (Buy second and guarantee) **£13.75** (Post 8p)

**MINIKITS ELECTRONICS,**  
35a LANGLEY DRIVE, WANSTEAD,  
LONDON, E11 2LN (Mail order only)

# Darned Electronic Wizardry

by Dewtron (VAT extra.)

Famous kits, e.g. waa-waa complete kit £3.50; Fuzz kit £5.50 auto rhythm modules P & P 25p under £10. Ring Modulator modules £9 and whole range of synthesiser modules, musical novelties, etc. Catalogue 15p from D.E.W. Ltd., 254 Ringwood Road, Ferndown, Dorset.

**HARDWARE SUPPLIES.** Sheet aluminium individual sizes or standard packs, drilled to spec. Screws, nuts, washers etc. Fascia panels in aluminium individual requirements. Printed circuit boards, one-off or small runs. Printed circuit drafting tapes etc. 7p for list. Ramar Constructor Services, 29 Shelbourne Road, Stratford on Avon, Warwks. CV37 9JP.

**LOW COST I.C. MOUNTING.** Lengths of 100 I.C. pin sockets, 60p (p & p 5p). Quantity rates, SAE details & sample. L.E.D. (MLED500), 20p each. (post paid). P.K.G. Electronics, "Oak Lodge", Tansley, Derbyshire.

**AUDIOSCAN,** the "do-it-yourself" speaker mail-order specialists. High fidelity speaker kits, chassis units, sound absorbent, grille fabric and much more. Send 7p in stamps for bargain list to: Audioscan, Dept. PW-4, 4 Princes Square, Harrogate, Yorks.

**MORE RANGES FOR LESS MONEY!**

**AC/DC Multimeter type U4324**

- A-DC 0-06-3A - 6 Ranges.
- A-AC 0-3-3A - 5 Ranges.
- V-DC 0-6-1200 V - 9 Ranges
- V-AC 3-900 V - 8 Ranges.

Freq.: In the range of 45 to 20kHz  
Resistance: 500 Ohm to 5 MΩ  
5 Ranges. Decibel: -10 to +12dB  
Accuracy: ± 2.5% DC, ± 4% AC  
Dimensions: 167 x 98 x 63 mm

**Only £8.00**

**SUPERTESTER 608R ICE**

10 Fields - 80 Ranges: Plus a lot of accessories for measurements of 500A-AC 100 A/DC- Temperature -50C to +200C- Magnetic fields up to 15 KGauss-phase indicator EHT 25kV Electronic Volt/Ohm-meter Transistor Diode Tester etc.

Dimensions, 128 x 95 x 32 mm-300 Grams-20kOhm/V Accuracy 1% DC. Ask for free catalogue

**£18.50**  
Accessories Extra

**ALPHANUMERIC NIXIE TUBES B7971**

The Alphanumeric NIXIE tube has the ability to display all the letters of the alphabet numerals thru 9 and special characters in a single tube. From the stand point of both readability and electrical characteristics, the Alphanumeric NIXIE tube provides many unique benefits including: All DC operation, Uniform, continuous line characters of equal height, Memory with simple solid state drive circuits, Readability in high ambient light—200 foot-lamberts brightness, Long life with no loss of brightness, Character height 21 in.

Price only **99p** each plus 16p P/P.

**SPECIAL OFFER**

**The Sinclair Scientific.**

Logs, trig and arithmetic. All at the touch of a button.

At last there's a pocket calculator which gives you log and trig functions instantly.

Full 12 function machine. With the functions available on the Scientific keyboard, you can handle directly log<sub>10</sub>, anti-log, sin and arsin, cos and arcos, tan and arctan, automatic squaring, automatic doubling, xy (including square and other roots), plus, of course, addition, subtraction, multiplication, division and any calculations based on them. 7-digit scientific notation, 200-decade range, Reverse Polish logic and 25-hour battery life. Send for further information.

**£45.00**

Add 10% VAT to all items + 35p P & P

**ELECTRONIC BROKERS LTD.**  
49-53 Pancras Road, London NW1 2QB  
Tel: 837 7781

**P.W. TELE-TENNIS CIRCUIT BOARDS**

DESIGNER APPROVED. ALL SIX FULLY DRILLED AND TINNED INCLUSIVE PRICE £7.50 THE SET

FROM  
**R. J. WHITTAKER**  
57, MUNGO PARK WAY  
ORPINGTON  
KENT

**PRINTED CIRCUITS.** For any PW project, 65p each, ready drilled for assembly. Where more than one in project £1.20 the set. CWO plus 5p p&p. All PC work undertaken. W.K.F. Electronics, Welbeck Street, Whitwell, Worksop, Notts.

**AERIAL WIRE.** High quality p.v.c.-covered multi-strand copper, 25ft, 29p (6p); 50ft, 59p (10p); 75ft, 88p (13p); 100ft, £1.20 (15p); 150ft, £1.80 (24p); 200ft, £2.35 (26p); 250ft, £2.94 (28p); 300ft, £3.55 (31p). Egg insulators, 12p pair (6p). P&P in brackets. SAE all enquiries. AI RADIO COMPONENTS, 14 The Borough, Canterbury, Kent CT1 2DR.

## PSYCHEDELICATESSEN

is the only way to describe the *paradise of Freaky gear* now available from Boffin Look!

### KITS

No Licence Exam Transmitter Receiver £6 40  
Variable-rate, Bright-Flash, Pocket Mini-Strobe £2 40

### READY-MADE MODULES

Maxi-Volt Spark Generator (1/2 inch spark), 15,000 Volts! £1 35  
Experimental Mini Dream-Laboratory £2 20  
Sensitive non-anatomical electronic Stethoscope £2 20  
Electronic 'Voice-Thrower' £2 20  
Ghost-Hunting Aid £2 20  
People Detector £2 20  
Experimental Water-Fone £4 40  
Psychedelic Meditation Aid £2 20  
Bird-Watchers Remote Monitor £2 20  
Psychological Cross-Eyed Ears Device £4 40  
Super Sound-Catcher £2 20

(All prices include VAT, packing & postage)

Send remittance to

### BOFFIN PROJECTS

4 Cunliffe Road, Stoneleigh  
Ewell, Surrey

(Mail order U.K. only)

Or for more details, send 20p for lists plus free design project sheet

**TRINIDAD.** We are looking for large suppliers of Radio/TV spares—Receiving Tubes, Capacitors, Volume Controls, Loudspeakers, Phono Cartridges, Cassettes, Tapes, Electronic Components, Electrical Novelties and associated products. Write directly: **MASSY'S MARKETING COMPANY, PO Box 463, Port of Spain, Trinidad W.I.**

**UNIQUE ONE-TIME  
ONLY OFFER DIRECT  
FROM**

**sinclair**



SINCLAIR  
215

**20 + 20** watts R.M.S. HI-FI  
ALL-PURPOSE STEREO AMPLIFIER

**£29.95**

INC. V.A.T. &  
Carriage paid  
in U.K.

Difficulties which prevented these amplifiers reaching Sweden benefit YOU! The Sinclair 215 (an improved version of famous Project 60) includes variable high and low pass filters, treble, bass, balance and volume controls with input press buttons and in/out tape. Headphone socket. DIN connections. Guaranteed and ready for use. Fantastic value!

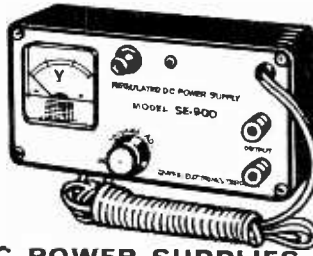
- Overload protection
- Stylized wood cabinet 14" x 3 1/4" x 1 1/2" (356 x 89 x 28mm)
- SIN ratio 70 dB
- Inputs Mag P.U., R.I.A.A., 3mV
- Ceramics Radio & Aux.

Order while stocks last from

**SINCLAIR RADIONICS LTD.**

(Dept. Sp.)

London Rd., St. Ives, Huntingdonshire  
PE17 4HJ



## DC POWER SUPPLIES

Regulated power supply variable up to 15V 0.5A. Model SE800. Ideal for development work. **£11**

Cash with order includes VAT & p. p.  
**J. H. ASSOCIATES LTD.**  
Crickfield Lane, Bishop's Stortford, Herts.

**Vintage Radio Valve  
Collector. Will visit U.K.  
Exchange notes.**

**HUCKELL,**  
285 Military Rd., Cremorne,  
N.S.W., Australia.

**BUILD IT** in a DEWBOX quality cabinet. 2in x 2 1/2in x any length. D.E.W. Ltd., Ringwood Road, FERN-DOWN, Dorset. S.A.E. for leaflet. Write now—Right now.

**SUPERB INSTRUMENT CASES** by Bazelli, manufactured from heavy duty PVC faced steel, choice of 174 types, send for free list, Bazelli Instrument Cases, Dept 25, St. Wilfrids, Foundry Lane, Halton LA2 6LT, Nr. Lancaster.

## Educational

### C AND E EXAM

Make sure you succeed with an ICS home study course for C and E Electrical Installation Work & Technicians, Radio/TV/Electronics Technicians, Telecomms Technicians and Radio Amateurs.

### COLOUR TV SERVICING

Make the most of the current boom! Learn the techniques of servicing Colour and Mono TV sets through new home study courses, approved by leading manufacturers.

### TECHNICAL TRAINING

Home study courses in Electronics and Electrical Engineering, Maintenance, Radio, TV, Audio, Computer Engineering and Programming. Also self-build radio kits.

Get the qualifications you need to success. Free details from: International Correspondence Schools, Dept 732T, Intertext House, London SW8 4UJ. Or phone 01-622 9911.

**ENGINEERS**—get a technical certificate. Postal courses in Engineering, Electronics, Radio, T.V. Computers, Draughtsmanship, Building, etc. FREE book form: BIET (Dept. BPW.04 Aldermoston Court, Reading, RG7 4PF. Accredited by CACC. Member A.B.C.C.

**GO TO SEA** as a Radio Officer. Write: Principal, Nautical College, Broadwater, Fleetwood FY7 8JZ.

**AMIMI, MAA/LMI DIPLOMA**, City & Guilds, etc. Thousands of passes. For details of postal courses in all branches of Engineering and illustrated book—FREE—BIET (Dept. BPW.03) Aldermoston Court, Reading RG7 4PF. Accredited to CACC. Member A.B.C.C.

## BETTER GET 'SET'

### FAMOUS NO. 19 SET TRANS RECEIVER

TR50/51 2-8 MHz in 2 bands. 11 valve. 807 PA Power reqs 12VLT 275-VHT REC 500VTM. Rebuilt £12.50, Carr. £1.

Complete station 12 VDC PSU. Mic. Cables £23.50, Carr. £2.50.

### TR55 VHF 60-90 MHZS XTAL 3C

3 channel 12 valve super Het. 12 VDC Sync Internal Supply. size 14" x 12" x 7" as new £16.50 Carr. £1.25.



**TE76/CT52**  
A superb Miniature Oscilloscope £25, Carr. £1 50. Mains operation.

### RE102 42/MAST

12-3' 6" x 2" sections WIRE GUYS STRAINERS in carry holdall £23.50 Carr. £2.

### AERIAL RODS

3' x 1" screwed M & F ends 10 £2 Post 75p. 25 £5 c.p.

**AE101.** Telescopic mast antenna £3.75. Carr. £1.25 List 25p refundable with purchase.

### XTAL CALIBRATOR No. 10

1/2 10MHz Harmonics 30 MHz £3 Post 50p.

**No. 62 RC/TM 1.5-10MHz £15 Carr. £2.**

Add VAT 10% Prices and Carriage

## Surplus Electronic Trading

P.O. BOX No. 19, HITCHIN, HERTS. SG4 8TN

## AUTOMATIC WIRE STRIPPER

AS SUPPLIED TO  
LEADING ELECTRONIC COMPANIES



PRICE  
**£2.95**

INCL. PP & VAT

GRIPS AND STRIPS

WIRE

IN ONE OPERATION

## IDEAL GIFT ELECTROLINK

ULLSWATER CRESCENT  
COULSDON CR3 2UG SURREY





## 4 STATION INTERCOM



**£15.15**

Solve your communication problems with this 4-Station Transistor Intercom system (1 Master and 3 Subs), in robust plastic cabinets for desk or wall mounting. Call/talk/listen from Master to Subs and Subs to Master. Ideally suitable for Business, Surgery, Schools, Hospital, Office and Home. Operates on one 9V battery. On/off switch. Volume control. Complete with 3 connecting wires each 60ft. and other accessories. P. & P. 60p

**MAINS INTERCOM NEW MODEL**  
No batteries—no wires. Just plug in the mains for instant two-way, loud and clear communication. On off switch and volume control. Price **£22.95** per pair P. & P. 60p

## INTERCOM/BABY ALARM



**OUR PRICE ONLY £6.50**

Same as 4-Station Intercom for two-way instant communication. Ideal as Baby Alarm and Door Phone. Complete with 60ft. connecting wire and Battery. P. & P. 20p



**£4.95**

Why not boost business efficiency with this incredible Telephone Amplifier. Take down long telephone messages or converse without holding the handset. A useful office aid. On/off switch. Volume Control. Complete with Battery. P. & P. 30p. Full price refunded if not satisfied in 7 days.

WEST LONDON DIRECT SUPPLIES (PW.6)  
168 KENSINGTON HIGH STREET, LONDON, W.8

### EX COMPUTER PC PANELS

4 x 2in packed with semiconductors and top quality resistors, capacitors, diodes etc. Guaranteed min. 35 transistors, plus data.

10 boards **50p** (12p)  
25 boards for **£1** (30p)

Dural extruded heatsinks outline 10D black anodised. Drilled for 4 x TO3 transistors. 5 x 4 x 1 1/4" **40p** (14p)  
Similar to above but 5 x 8 x 1 1/4" drilled for 8 x TO3 **70p** (26p)

### COMPUTER GRADE ELECTROLYTICS

12,000µ 100v, 5 x 2 1/2 dia **£1** (25p)  
30,000µ 25v **65p** (20p)

### ELECTROLYTICS

4,000µ 70v, 3,600µ 40v, 4 1/2 x 2 in dia **55p** (14p)  
10,000µ 35v, 5,000µ 35v, 4 1/2 x 2 in **40p** (12p)


100 piv 20A, Si diodes 4 for **£1** (10p)  
100 piv 3A, Si diodes 4 for **50p** (7p)  
250 mixed resistors **60p** (9 1/2p)  
250 mixed capacitors **60p** (9 1/2p)  
200 Si planar diodes **50p** (7p)  
Min. glass neons 8 for **50p** (7p)  
Reed relays mixed 10 for **50p** (7p)  
Micro switches 8 for **50p** (9p)  
Papst extractor/blower fans  
100 c.f.m. 4 1/2 x 4 1/2 x 2in **£3.50** (28p)  
QH bulbs 12v 55w **50p** (6p)

Postage and package shown in brackets.  
ADD 10% VAT TO TOTAL

## KEYTRONICS

(Mail Order only)

**44 EARLS COURT ROAD  
LONDON W8. 01-478 8499**



## W.H.M. 20W AUDIO POWER AMPLIFIER

involves radical departures in conception.

- ★ Class A performance with Class B economy.
- ★ T.H.D. < 0.05% at all frequencies and power levels.
- ★ No crossover distortion.
- ★ Unsurpassed stability into reactive loads.

**£7.28 + VAT. £15 per stereo pair inc.**  
Full spec. on written request.

**Sydney House, 35 Villiers Road, Watford**

# PUBLISHER'S ANNOUNCEMENT

Due to production difficulties existing at the time this issue went to press, we strongly advise readers to check with advertisers the prices shown, and availability of goods, before purchasing

### Wire Wound Resistors.

Our selection of mixed values. 30 for **£1.50**, 100 for **£4.00**.

### Audio Amplifier Module.

Mullard LP1173, output power: nominal 10 watt, supply voltage +24 volt, with data and circuit. **£2.50**.

### Ferguson Stereogram chassis.

Model 3357, all transistor, medium, long, VHF/FM. 3 watts per channel 5/M. with connection data, less tuning scale. **£29**.

### Crystals HC6U:

32-03333 MHz: 52-02500: 52-01667: 51-58667 51-58330: 37-76250: 37-75000: 12-395-8: 12-891-6: 12-700-3: 9-458-33: 9-456-25: 9-455-55: 9-533-33: 9-531-94: 9-530-55: 9-090-62: 9-087-5: 9-096-87: 50p each.

### Electrolytics 32/32/35µF.

325v, 2" x 1 1/2" **35p**: 3000µF 50v, 4" x 1 1/2" **40p**: 2000µF 30v, 2" x 1 1/2" **25p**: 2000µF 35v 3" x 1" **30p**: 470µF 100v 3" x 1 1/2" **25p**: 2000/200µF 25v 2" x 1 1/2" **35p**: 30,000µF 25v 4 1/2" x 2 1/2" **50p**: 4000µF 350v/300v 00/32µF 300v 3" x 2" **50p**: 700µF 200v 3 1/2" x 1 1/2" **30p**: 1616µF 275v 1 1/2" x 1" **22p**: 40/40/20µF 275v 2" x 1" **20p**: 4500/900/900µF 30v 2 1/2" x 1 1/2" **50p**: 4000µF 35v 3" x 1 1/2" **40p**: 200/100/50/00µF 325v 2" x 1 1/2" **50p**: 4000µF 18v 2" x 1" **20p**: 470µF 25v 1 1/2" x 1" **15p**.

### Matched pair of bookshelf speakers.

Teak finish, size 12" x 8" x 5", 8 x 5 8" ohms ceramic, 5 watts RMS. Complete with din leads. **£11.00 pair**.

### Thorn TV IF chassis, 550 series

(less valves), **£8.75**.

### UHF 625 transistor push button tuner

(NSF Telefunken) as used on Decca MS2400. Brand new and boxed, **£3.25**.

### Light Dependent Resistors (RCA sq3536)

30p each, 4 for **£1.00**.

### Crystal Calibrator (second hand)

No 10 crystal controlled heterodyne wave meter covering 300KHz-10MHz. (harmonics up to 30MHz) power required 300V DC 15mA, 12V 0-3A DC test equipment for 62T M/RC **£2.50** each.

### P-C Boards (not computer panels)

1 off 6 transistor single wave band.  
1 off 4 transistor audio. 1 off 3 transistor **£1.60**, three boards.

### Rank EVR Teleplayer colour trans-

lator panels, type and components on new panels listed as follows, **£2.50**, each panel. Z605—14 off BC148: 2 RCA ca3054 (c): 1 crystal 4-433618 MHz—Z607—12 off BC148: 1 BC108: 1 BC158: 1 RCA ca3046 (c): 1 RCA ca3045 (c): Z608—23 off BC148: 2 BC158—Z612—12 off ME4103: 2 BC-251B: 1 B7Y50.

### Mains Droppe's, 10 mixed values,

**£1.00**.

### Edgewise Level meters, 200µA,

size 1" overall. **50p**.

### Chrome Plastic knobs, 3 types,

4 off each with spring clip, **£1.25**.

### Die Cast Boxes, 4 1/2" x 3 1/2" x 3" **95p**:

4 1/2" x 5 1/2" x 2" **£1.20**. 8 1/2" x 5 1/2" x 4" **£1.70**.

### Aluminium Chassis, 7 1/2" x 5 1/2" x 2 1/2" **70p**:

10" x 7 1/2" x 2 1/2" **85p**. 11" x 7 1/2" x 2 1/2" **95p**.

### BSR P128, similar to HT70 single play,

with heavy die cast turntable, less cartridge, **£11.30**.

### Transistorised FM tuner head,

with A.M. gang, slow motion drive 88-108 Mcs, with circuit diagram, **£2.30**.

ALL ITEMS INCLUDE VAT  
All items post paid in GREAT BRITAIN

## SURPLECTRONICS

216 LEAGRAVE ROAD,  
LUTON, LU3 1JD, BEDS.



# FREE!

## Over 150 ways to engineer a better future

**HIGHER PAY**      **A BETTER JOB**  
**SECURITY**

### find out how in just 2 minutes

That's how long it will take you to fill in the coupon. Mail it to B.I.E.T. and we'll send you full details and a free book. B.I.E.T. has successfully trained *thousands* of men at home - equipped them for higher pay and better, more interesting jobs. We can do as much for YOU. A low-cost B.I.E.T. home study course gets results fast - makes learning easier and something to look forward to. There are no books to buy and you can pay-as-you-learn.

Why not do the thing that really interests you? Without losing a day's pay, *you* could quietly turn yourself into something of an expert. Complete the coupon (or write if you prefer not to cut the page). No obligation and nobody will call on you . . . but it could be the best thing you ever did.

#### Others have done it, so can you

"Yesterday I received a letter from the Institution informing that my application for Associate Membership had been approved. I can honestly say that this has been the best value for money I have ever obtained - a view echoed by two colleagues who recently commenced the course".—Student D.I.B., Yorks.

"Completing your course, meant going from a job I detested to a job that I love, with unlimited prospects".—Student J.A.O. Dublin.

"My training with B.I.E.T. quickly changed my earning capacity and, in the next few years, my earnings increased fourfold"—Student C.C.P., Bucks.

#### FIND OUT FOR YOURSELF

These letters - and there are many more on file at Aldermaston Court - speak of the rewards that come to the man who has given himself the specialised know-how employers seek. There's no surer way of getting ahead or of opening up new opportunities for yourself. It will cost you a stamp to find out how we can help *you*. Write to B.I.E.T., Dept. BPW80 Aldermaston Court, Reading RG7 4PF.

Published approximately the third Friday of each month by IPC Magazines Ltd., Fleetway House, Farringdon Street, London, E.C.4 4AD. Printed in England by Index Printers Ltd., Dunstable, Beds. Sole Agents for Australia and New Zealand - Gordon & Gotch (A/Sia) Ltd. South Africa - Central News Agency Ltd. Publisher's Subscription Rate (including postage): For one year to any part of the world £2.95. Everyday Electronics is sold subject to the following conditions, namely that it shall not, without the written consent of the Publishers first given, be lent, resold, hired out or otherwise disposed of by way of Trade at more than the recommended selling price shown on the cover, and that it shall not be lent, resold or hired out or otherwise disposed of in a mutilated condition or in any unauthorised cover by way of Trade, or affixed to or as part of any publication or advertising, literary or pictorial matter whatsoever.

Practical Radio & Electronics Certificate course includes a learn while you build **3 transistor radio kit.**

Everything you need to know about **Radio & Electronics** maintenance and repairs for a **spare time income** and a **career** for a better future.



This FREE 76 page book can put you on the road to success through a B.I.E.T. Home Study Course. Choose your subject now!



**CUT OUT THIS COUPON**  
 Tick or state subject of interest. Post to address below.

<p><b>MECHANICAL</b>                  Society of Engineers—                  A.M.S.E. (Mech.) <input type="checkbox"/>                  Institute of Engineers &amp; Technicians (A.M.I.E.) <input type="checkbox"/>                  CITY &amp; GUILDS Gen. Mech. Eng. <input type="checkbox"/>                  Maintenance Eng. <input type="checkbox"/>                  Welding <input type="checkbox"/>                  Gen. Diesel Eng. <input type="checkbox"/>                  Sheet Metal Work <input type="checkbox"/>                  Eng. Inspection <input type="checkbox"/>                  Eng. Metallurgy <input type="checkbox"/></p> <p><b>ELECTRICAL &amp; ELECTRONIC</b>                  Society of Engineers—                  A.M.S.E. (Elec.) <input type="checkbox"/>                  CITY &amp; GUILDS Gen. Electrical Engineering <input type="checkbox"/>                  Electrical Installations <input type="checkbox"/>                  Electrical Maths <input type="checkbox"/>                  Computer Electronics <input type="checkbox"/>                  Electronic Eng. <input type="checkbox"/>                  Practical Radio &amp; Electronics (with kit) <input type="checkbox"/></p> <p><b>MANAGEMENT &amp; PRODUCTION</b>                  Institute of Cost &amp; Management <input type="checkbox"/>                  Acctnts. <input type="checkbox"/>                  Computer Programming <input type="checkbox"/>                  Works M'tment. <input type="checkbox"/>                  Work Study <input type="checkbox"/>                  Gen. Production Eng. <input type="checkbox"/>                  Estimating &amp; Planning <input type="checkbox"/>                  Storekeeping <input type="checkbox"/>                  Management Skills <input type="checkbox"/>                  Quality Control <input type="checkbox"/></p>	<p><b>DRAUGHTSMANSHIP</b>                  Institute of Engineering Designers (A.M.I.E.D.) <input type="checkbox"/>                  General Draughtsmanship <input type="checkbox"/>                  Elec. Draughtsmanship <input type="checkbox"/>                  Architectural Draughtsmanship <input type="checkbox"/>                  Technical Drawing <input type="checkbox"/></p> <p><b>RADIO &amp; TELE-COMMUNICATIONS</b>                  CITY &amp; GUILDS, Radio, TV, Electronics <input type="checkbox"/>                  CITY &amp; GUILDS Telecoms. <input type="checkbox"/>                  Gen. Radio &amp; TV Eng. <input type="checkbox"/>                  Radio Amateurs Exam <input type="checkbox"/>                  Radio Servicing <input type="checkbox"/>                  TV Servicing <input type="checkbox"/>                  Colour TV <input type="checkbox"/></p> <p><b>AUTOMOBILE &amp; AERONAUTICAL</b>                  Institute of the Motor Industry <input type="checkbox"/>                  A.M.I.L. <input type="checkbox"/>                  MAA/IMI <input type="checkbox"/>                  CITY &amp; GUILDS Auto Eng. <input type="checkbox"/>                  Gen. Auto Eng. <input type="checkbox"/>                  Motor Mechanics <input type="checkbox"/>                  Auto Diesel Eng. <input type="checkbox"/>                  Garage M'tment. <input type="checkbox"/>                  ARB Aero Engineering Certs. <input type="checkbox"/>                  Gen. Aero Eng. <input type="checkbox"/></p> <p><b>CONSTRUCTIONAL</b>                  Society of Engineers—                  A.M.S.E. (Civ.) <input type="checkbox"/>                  Institute of Building—L.I.O.B. <input type="checkbox"/></p>	<p>A.B.T. Clerk of Works <input type="checkbox"/>                  Construction Surveyors Institute—L.C.S.I. <input type="checkbox"/>                  CITY &amp; GUILDS General Building (all branches) <input type="checkbox"/>                  Heating &amp; Vent. Inst. Clerk of Works <input type="checkbox"/>                  Site Surveying <input type="checkbox"/>                  Health Engineering <input type="checkbox"/>                  Road Construction Quantities, Estimates <input type="checkbox"/>                  Hydraulics <input type="checkbox"/>                  Structural Eng. <input type="checkbox"/></p> <p><b>GENERAL</b>                  Agricultural Eng. <input type="checkbox"/>                  Council of Eng. Institutions <input type="checkbox"/>                  Farm Science <input type="checkbox"/>                  Plastics <input type="checkbox"/></p> <p><i>Supplementary courses for Nat. Certificates.</i></p>
--	--	---

**G.C.E.**  
 — choose from 58 'O' & 'A' level subjects.

*Coaching for many exams, including C & G*

## POST TODAY FOR A BETTER TOMORROW

To B.I.E.T., Dept. BPW80      QN      BPW80  
 Aldermaston Court, Reading RG7 4PF

NAME .....  
 Block Capitals Please  
 ADDRESS .....

OTHER SUBJECTS .....  
 AGE .....

Accredited by C.A.C.C.      Member of A.B.C.C.  
**BRITISH INSTITUTE OF ENGINEERING TECHNOLOGY**

130 LEVELACE

# Henry's

**DON'T RELY ON YOUR MEMORY BUY NOW AT BARGAIN PRICES**  
Hi Fi and Transistors - Up to date  
Brochures on request

**HENRY'S CATALOGUE**  
Due to rapid price changes, shortages of paper and raw materials, all prices in the existing catalogues no longer apply. Call or phone for latest prices. A new catalogue will be available for Aug/Sept. 1974.



You pay less  
**VAT with Henry's**  
Low Prices

## BUILD THE TEXAN

**20 + 20 WATT IC STEREO AMPLIFIER**

As featured by  
Practical Wireless  
1972



Now built and used by thousands of satisfied customers. Features slim design overall size in cabinet 15 1/2" x 2 1/2" x 6 1/2". 6-IC's, 10 transistors, stabilisers Gardners low field transformer. Fibre Glass PC Panel, complete chassis work. Now available built and tested as well as in kit form. **HIGH QUALITY & STABILITY ARE PREDOMINATE FEATURES - DEVELOPED BY TEXAS ENGINEERS FOR PERFORMANCE, RELIABILITY AND EASE OF CONSTRUCTION. FACILITIES.** On/off switch indicator, headphones socket, separate treble, bass, volume and balance controls, scratch and rumble filters, mono/stereo switch, input selector: Mag. P.U., Radio Tuner, Aux. Can be altered for Mic., Tape, Tape-head, etc. Constructional details Ref. No. 21

30p. Distributed by Henry's throughout UK. **FREE**—Teak cabinet with complete kit.  
Kit price **£28.50** (+VAT+50p carr/packing) or built and tested **£35.00** (+VAT + 50p carr/packing) as illustrated.

## BUILD THE NEW HENELEC STEREO FM TUNER

A completely new high stability stereo FM tuner. Features variable capacity diode tuning, stabiliser power supply, IC Decoder—high gain low noise, IF stages, LED indicators. Tuning meter, AFC, easy to construct and use. Mains operated. Slim modern design with fibre glass PC, teak cabinet, etc. Available as a kit to build or ready built. Overall size 8" x 2 1/2" x 6 1/2". Produced to give high performance with a realistic price. (Parts list and constructional details Ref. No. 530p). Henry's are sole distributors UK and Europe.



KIT PRICE **£21.00** (+VAT) or built and tested **£24.95** (+VAT)

**LIVING SOUND LOW NOISE TOP QUALITY CASSETTES** MADE BY EMI TAPES LTD. TO INTERNATIONAL STANDARDS ESPECIALLY FOR HENRY'S. ALL POST PAID LESS THAN 1/2 REC. PRICES COMPLETE WITH LIBRARY CASES

	3 for	6 for	10 for	25 for
C 60	£1.10	£1.98	£3.00	£7.40
C 90	£1.46	£2.80	£4.60	£11.25
C 120	£1.80	£3.45	£5.45	£13.45



Quantity and trade enquiries, invited  
**LEARN A LANGUAGE**—complete with phrase book. German — French — Spanish — Italian £1.36 per course. £5 for any 4.

## EARN YOURSELF EASY MONEY, WITH PORTABLE DISCO EQUIPMENT

- DISCO MINI A complete portable disco, fitted mixer/preamp, 2 decks all facilities. **£98.50**
- As above but with Slider Controls **£118.50**
- 100 watt amplifier for above **£49.50**
- SDLS 100 watt mixer/amplifier with slider controls **£69.00**
- R50 50 watt mixer/amplifier **£49.50**
- R100 100 watt mixer/amplifier **£57.50**
- DISCO AMP 100 watt mixer/amplifier **£73.00**
- Northcourt:
- 400 40 watt mixer/amp **£37.50**
- 800 80 watt mixer/amp **£45.00**
- DISCO MIXER/PREAMPLIFIERS (OP for up to 6-100 watt amplifiers)
- SDLI (rotary controls) **£49.50**
- SDLII (slider controls) **£58.50**
- DISCO VOX (slider controls) the complete disco preamp **£72.00**
- DJ100 100 watt power amplifier for above **£49.50**
- DJ30L Mk II 3 channel 3kw sound to light **£36.00**
- DJ30L Mk III slider controls **£45.50**
- DJ DISC LITE as 30L-2 plus variable speed flashes **£54.00**
- Carlsboro Reverberation Unit **£44.00**
- Disco anti-feedback microphone **£11.95**
- Cole 150 watt liquid wheel projector **£23.50**
- 150 watt QI liquid wheel projector **£50.00**
- 150 watt QI cassette wheel projector **£50.00**
- Spare Effects and liquid cassettes large range of patterns **£6.00**
- Various cassettes **£5.00**
- 6 inch Liquid wheels **£6.00**
- Mini spot bank fitted 3 lamps **£12.95**
- Auto Trilite (mini with flashers) **£17.00**
- Bubblemaker with liquid **£22.50**

## EXCLUSIVE DECCA KELLY SPEAKERS

12 watt speaker Tweeter systems, 8" Bass/Midbore and Melinex Domed HF radiator plus crossover **£12.50** per pair of systems (carr./packg. 40p) or built into veneered cabinets, size 18 x 12 x 6 1/2" **£19.50** pair (carr. £1).



## HI-FI TAPE EQUIPMENT

U.K.'s largest range with discounts and demonstrations for callers. Latest stock lists on request (Ref. No. 17). Phone 01-402-4736 for Barclay/Access Card. Direct orders and latest prices.



## TRANSISTORS/SEMI-CONDUCTORS

U.K.'s largest range for every application. Small quantity discounts. Also Trade, Export and Industrial enquiries invited. Latest stock list (Ref. No. 36) including valves on request.

## JOSTY KITS NOW IN STOCK

Latest stock list Ref 11 on request



## NEW SINCLAIR PROJECT 80



- Stereo PreAmplifier **£11.95**
  - Audio Filter Unit **£6.95**
  - Z40 15 Watt Amplifier **£5.45**
  - Z60 25 Watt Amplifier **£6.95**
  - PZ5 Mod. for 1 or 2 Z40 **£4.98**
  - PZ6 Mod. (S Tab) 1 or 2 Z40 **£7.98**
  - PZ8 Mod. (S Tab) 1 or 2 Z60 **£7.98**
  - TRANSFORMER FOR PZ8 **£3.95**
  - NEW FM TUNER **£11.95**
  - STEREO DECODER **£7.45**
- All items post paid.

## LOW COST HI-FI SPEAKERS

### SPECIAL OFFERS

- EMI 13" x 8"—full range speakers (post 20p each or 30p pair) **£2.20** each or **£4.40** pair.
- \*150TC—8 ohms Twin Cone 10 watt **£3.85** each
- \*450 10 watt C/o Twin Tweeters 3, 8 or 15 ohms **£3.85** each
- EW 15 watt 8 ohms C/o Tweeter **£5.25** each or **£7.40** per pair
- 350 20 watt C/o Tweeters 8 or 15 ohms **£7.80** each
- \* Polished wood cabinet **£4.80** post 35p.



### 8 ohms full range (post 20p)

- FR4 4" 5 watt **£4.75**
- FR6 6" 10 watt **£6.30**
- FR8 8" 15 watt **£8.50**
- FR23 9 x 6" 15 watt **£8.40**

### BASS & MID RANGE—8 ohms (post 20p)

- AA12 5" 15 watt **£3.75**
- B110 5 1/2" 15 watt **£7.20**
- B200 8" 15 watt **£8.50**
- B139/2 13" x 8" 15 watt LF **£13.75**

### TWEETERS AND CROSSOVERS (post 20p)

- K2006 10 watt 8 or 15 ohms **£2.10**
- FHT6 15 watt 8 ohms **£3.35**
- K2011 30 watt 8 ohms **£4.80**
- T27 KEF **£5.52**
- Kxcent 100 30 watt 8 ohms **£2.70**
- A4009 1 1/2" 5kHz C/o **£2.70**
- SNTS 3kHz var. C/o **£3.10**

### SPEAKER KITS (carr. etc. 35p)

- 20-2 8" 30 watt **£24.50** pair
- 20-3 8" 40 watt **£35.95** pair
- LINTON 2 20 watt **£18.30** pair
- GLENDALE 3 30 watt **£32.95** pair
- DOVEDALE 3 50 watt **£51.50** pair
- KEF KK2 **£55.00** pair
- KEF KK3 **£78.00** pair

## BUILD YOURSELF A POCKET CALCULATOR

A complete kit, packaged in a polystyrene container and taking about 3 hours to assemble—that's the Sinclair Cambridge pocket calculator from Henry's. Some of the many features include interface chip, thick-film resistor pack, printed circuit board, electronic components pack. Size 4 1/2" long x 2" wide x 1 1/2" deep. Free of charge with the kit for the more advanced technologist is a 32-page booklet explaining how to calculate Logs, Tangents, Sines etc.



**SPECIAL OFFER**  
**£13.60** Also available assembled ready to use. **£19.95** + VAT.

10% VAT to be added to all orders. Export supplied. Prices and descriptions correct at time of proof. Subject to change without notice. E & O. ALWAYS BARGAINS FOR CALLERS. See page 391 of this magazine

**Henry's RADIO**  
EDGWARE ROAD, LONDON W2

404-406 Edgware Road, London W2 01-402 8381  
303 PA - Disco - Lighting High Power Sound 01-723 6963  
303 Bargains Store (Callers only)  
Home and Car Entertainment Centres: London and branches now open.  
120 Shaftesbury Avenue, London W1 01-437 8692  
144 Burnt Oak Broadway, Burnt Oak, Edgware W5 01-952 7402  
190-194 Station Road, Harrow, Middlesex 01-663 7788/9  
354-356 Edgware Road, London W2 01-402 5854/4736

All mail to  
303 Edgware Road,  
London W2 1BW  
All stores open 9 am to  
6 pm six days a week  
Hi-Fi - Tape Equipment  
Discount Stock List  
Free at all stores